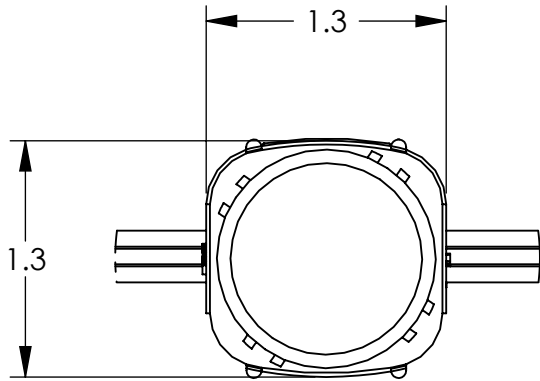
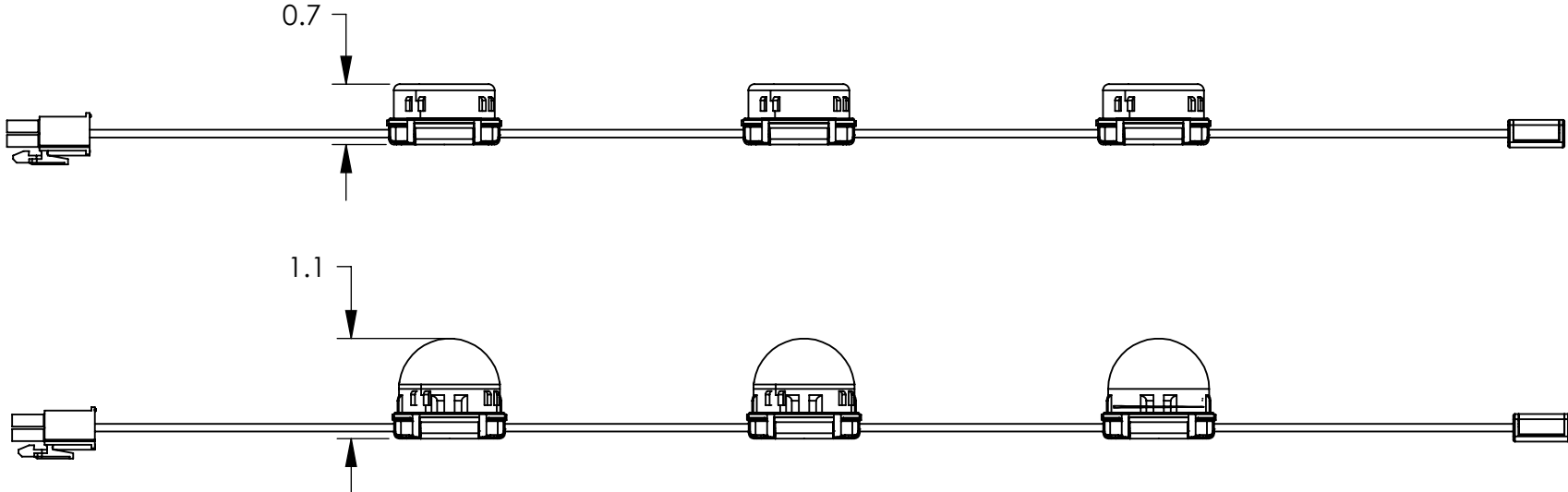
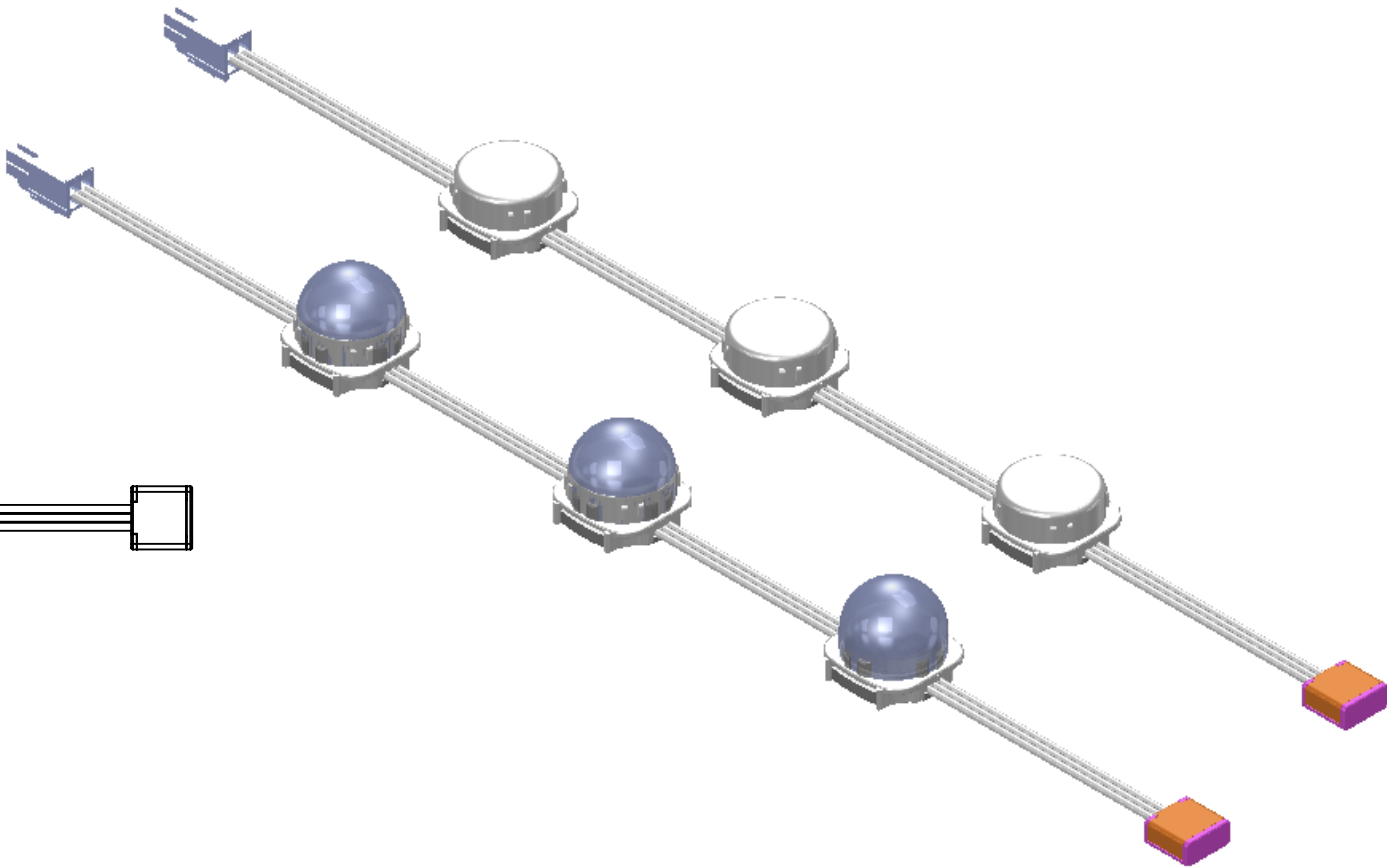
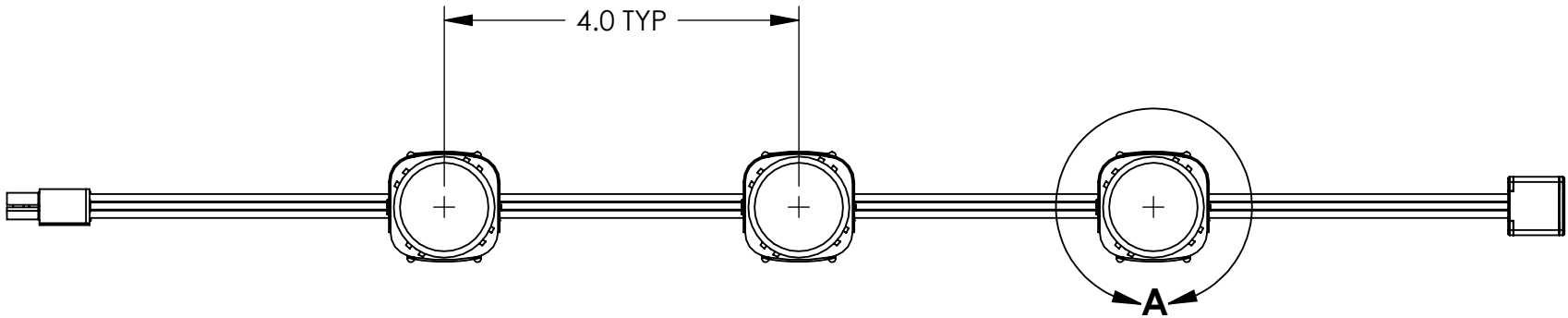


REVISIONS					
ZONE	REV.	ECO	DESCRIPTION	DATE	APPROVED



**DETAIL A  
SCALE 1 : 1**

**PROPRIETARY AND CONFIDENTIAL**  
 THE INFORMATION CONTAINED IN THIS DRAWING IS THE  
 SOLE PROPERTY OF PHILIPS COLOR KINETICS, INC.  
 ANY REPRODUCTION IN PART OR AS A WHOLE  
 WITHOUT THE WRITTEN PERMISSION OF PHILIPS COLOR  
 KINETICS, INC. IS PROHIBITED.

**PHILIPS** COLOR KINETICS  
 PHILIPS COLOR KINETICS, INC. www.philips.com  
 3 Burlington Woods Dr. Burlington MA 01803  
 TEL: 888-385-5742 FAX: 617-338-0454

MATERIAL	<b>SEE NOTES</b>
FINISH	<b>SEE NOTES</b>
DRAWN	DATE
CHECKED	DATE

-UNLESS OTHERWISE SPECIFIED-  
 DIMENSIONS ARE IN INCHES  
 INTERPRET GEOMETRIC TOLERANCING  
 PER: ANSI Y14.5M  
 TOLERANCES:  
 THIRD ANGLE PROJECTION

DESCRIPTION  
**Flex SLX (4" spacing)**

SIZE	DWG. NO.	REV
<b>B</b>		<b>03</b>
FILE NAME	DO NOT SCALE DRAWING	SHEET 1 OF 1
<b>Flex 4 in spacing</b>	SCALE 1:2	