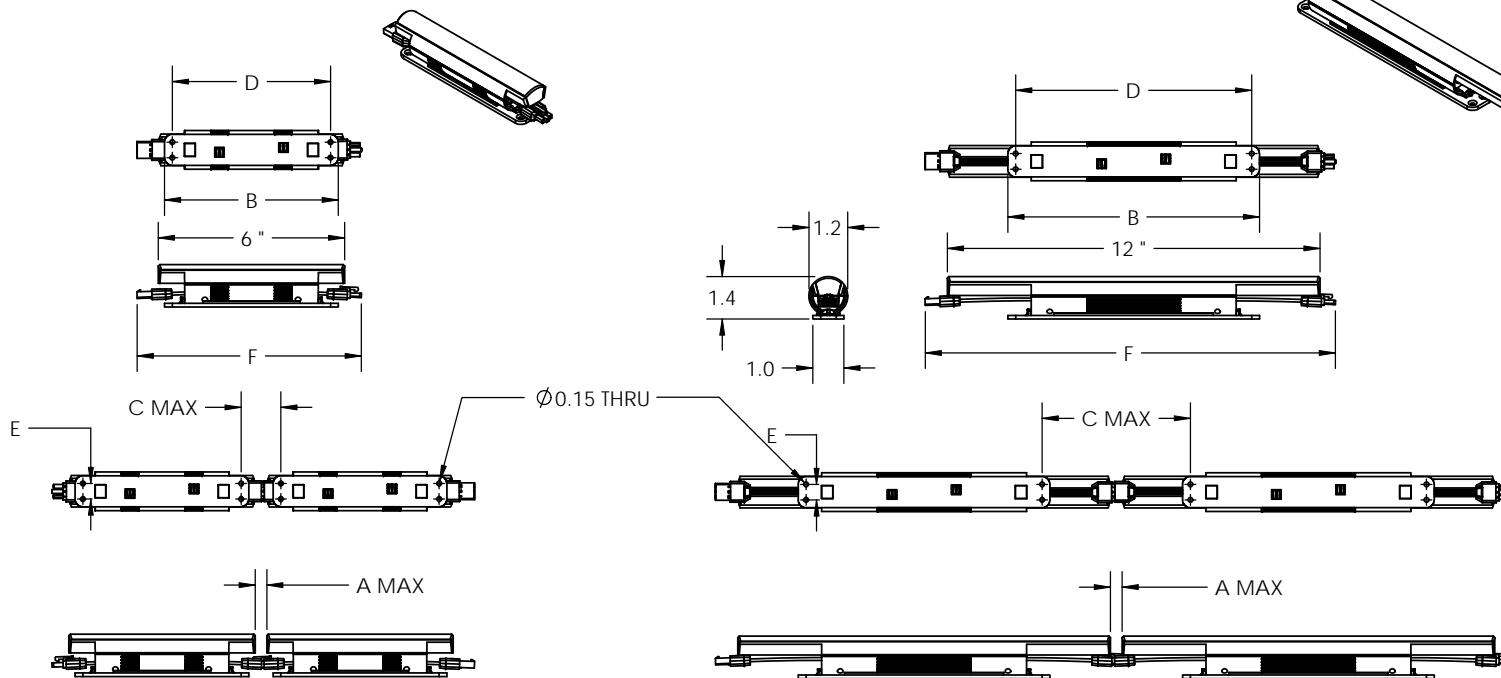


FIXTURE SIZE	A	B	C	D	E	F	#FASTENING LOCATIONS PER FIXTURE	WEIGHT (lbs)
6"	.37	5.6	3.38	5.1	.50	7.2	4	.19 lbs.
12"	.37	8.1	4.28	7.6	.50	13.2	4	.33 lbs.

REVISIONS				
REV	ECO	DESCRIPTION	APPROVED	DATE
00	-	-	-	-

-PRELIMINARY-



ITEM # 101-000066-00 (12")
ITEM # 101-000066-02 (6")

PROPRIETARY AND CONFIDENTIAL
THE INFORMATION CONTAINED IN THIS DRAWING IS THE SOLE PROPERTY OF PHILIPS SOLID-STATE LIGHTING SOLUTIONS, INC. ANY REPRODUCTION IN PART OR AS A WHOLE WITHOUT THE WRITTEN PERMISSION OF PHILIPS SOLID-STATE LIGHTING SOLUTIONS, INC. IS PROHIBITED.

PHILIPS
PHILIPS SOLID-STATE LIGHTING SOLUTIONS, INC.
3 Burlington Woods Dr., Burlington MA 01803
TEL: 888-385-5742 FAX: 617-338-0454
www.philips.com

MATERIAL	SEE NOTES
FINISH	SEE NOTES
DRAWN	DATE
CHECKED	DATE

-UNLESS OTHERWISE SPECIFIED-
DIMENSIONS ARE IN MILLIMETERS
INTERPRET GEOMETRIC TOLERANCING PER ASME Y14.5
ALL INSIDE RADII ARE Ø3
UNLESS OTHERWISE NOTED
REMOVE ALL BURRS AND FLASH
BREAK ALL SHARP EDGES

ANGLES
DECIMAL
2 1/2° ± .1 mm
XX ± .01 mm

THIRD ANGLE PROJECTION

DESCRIPTION
iColor Cove QLX

SIZE	DWG. NO.	REV
B	101-000066-XX	00
FILE NAME	DO NOT SCALE DRAWING	SHEET 1 OF 1
SCALE	2:1	

8 7 6 5 4 3 2 1