

8 7 6 5 4 3 2 1

REVISIONS					
ZONE	REV.	ECO	DESCRIPTION	DATE	APPROVED

D

C

B

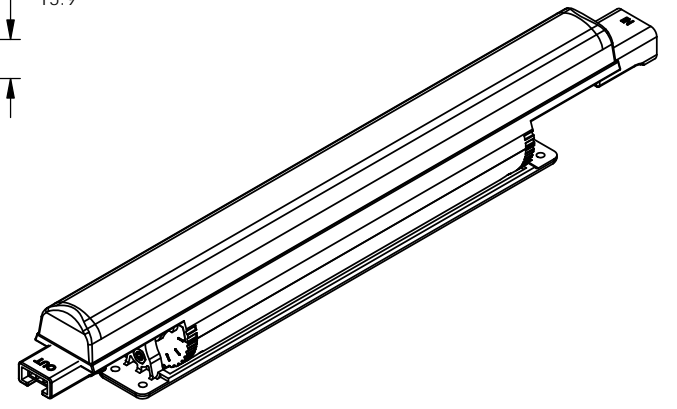
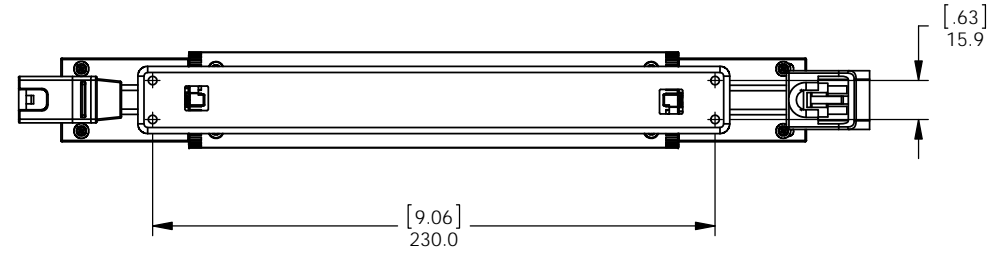
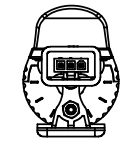
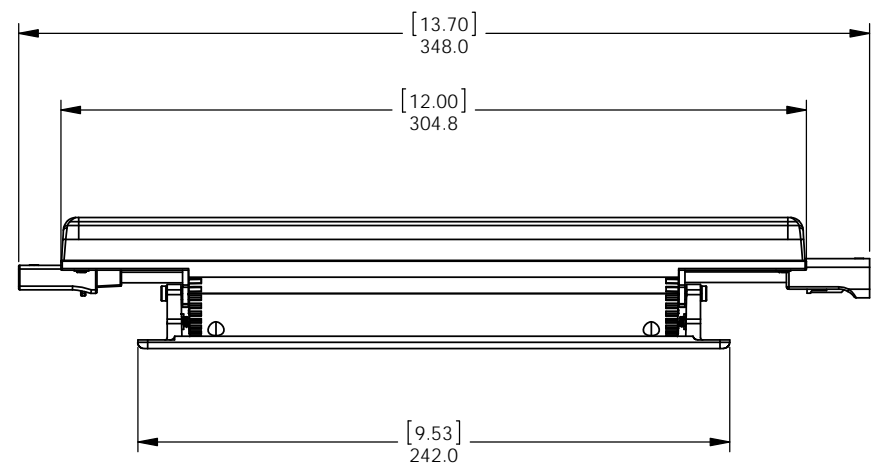
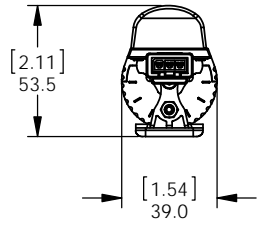
A

D

C

B

A



- NOTES:
1. CIRCLED DIMENSIONS ARE CRITICAL AND SUBJECT TO INSPECTION.
 2. FINISH: -
 3. MATERIAL: Material <not specified>

PROPRIETARY AND CONFIDENTIAL
 THE INFORMATION CONTAINED IN THIS DRAWING IS THE
 SOLE PROPERTY OF PHILIPS COLOR KINETICS, INC.
 ANY REPRODUCTION IN PART OR AS A WHOLE
 WITHOUT THE WRITTEN PERMISSION OF PHILIPS COLOR
 KINETICS, INC. IS PROHIBITED.

PHILIPS COLOR KINETICS
 PHILIPS COLOR KINETICS, INC. www.philips.com
 3 Burlington Woods Dr. Burlington MA 01803
 TEL: 888-385-5742 FAX: 617-338-0454

MATERIAL	SEE NOTES
FINISH	SEE NOTES
DRAWN	DATE
CHECKED	DATE
	2011-02-01

-UNLESS OTHERWISE SPECIFIED-
 DIMENSIONS ARE IN MILLIMETERS
 INTERPRET GEOMETRIC TOLERANCING
 PER: ANSI Y14.5M

ANGLE: ±

THIRD ANGLE PROJECTION

TOLERANCES:
 DECIMAL:
 .X ±0.5 mm
 .XX ±0.25 mm
 .XXX ±0.125 mm

DESCRIPTION	SIZE	DWG. NO.	REV
EW FUSE	B	ASY-001042-XX	
	FILE NAME	DO NOT SCALE DRAWING	SHEET 1 OF 1
	ASY-001042-XX	SCALE 1:2	

8 7 6 5 4 3 2 1