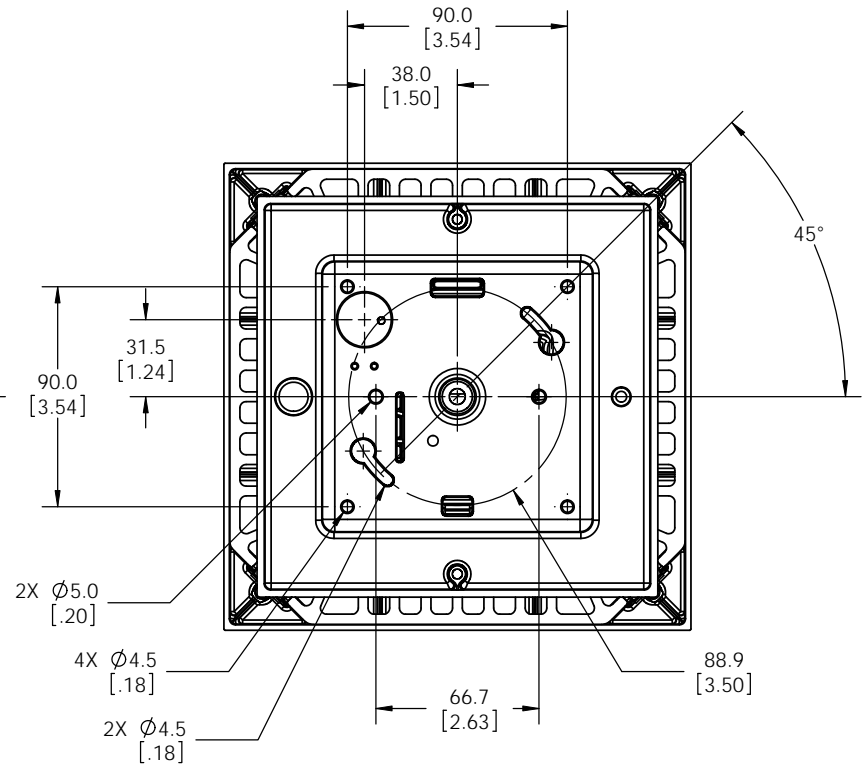
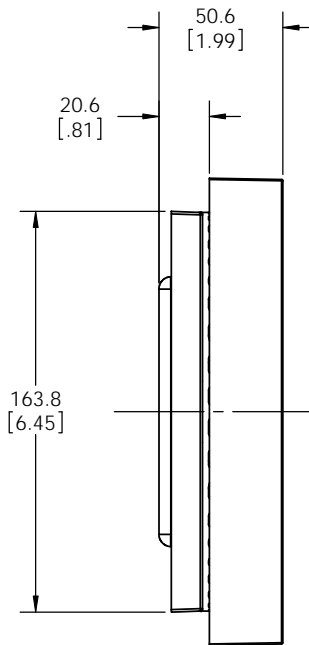
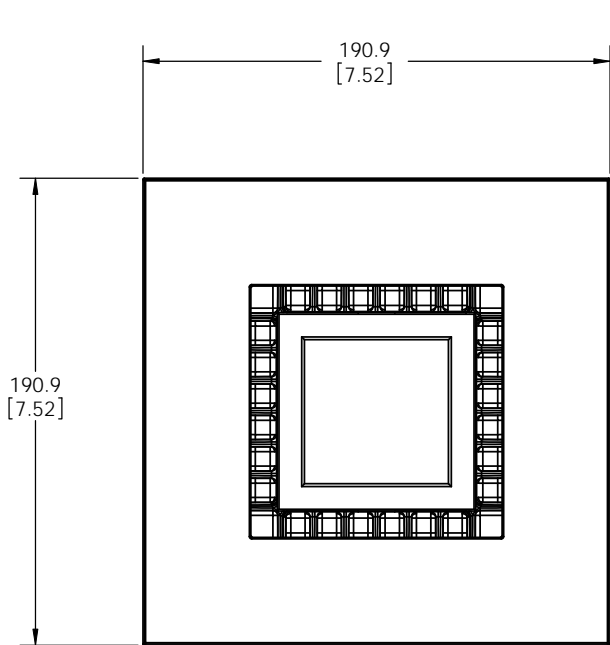
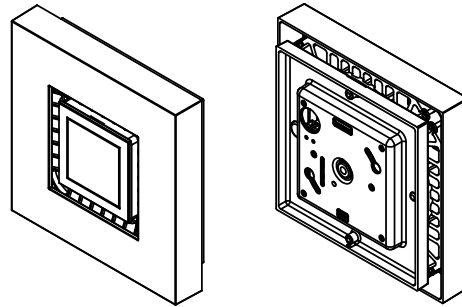


8 7 6 5 4 3 2 1

**PROPRIETARY AND CONFIDENTIAL**  
 THE INFORMATION CONTAINED IN THIS DRAWING IS THE SOLE PROPERTY OF PHILIPS SOLID-STATE LIGHTING SOLUTIONS, INC.  
 ANY REPRODUCTION IN PART OR AS A WHOLE WITHOUT THE WRITTEN PERMISSION OF PHILIPS SOLID-STATE LIGHTING SOLUTIONS, INC. IS PROHIBITED.

REVISIONS				
REV	ECO	DESCRIPTION	APPROVED	DATE
00	-	-	-	-



<b>PHILIPS</b> PHILIPS SOLID-STATE LIGHTING SOLUTIONS, INC. 3 Burlington Woods Dr. Burlington MA 01803 TEL: 888-385-5742 FAX: 617-338-0454 www.philips.com	MATERIAL	SEE NOTES	-UNLESS OTHERWISE SPECIFIED- DIMENSIONS ARE IN MILLIMETERS INTERPRET GEOMETRIC TOLERANCING PER ASME Y 14.5 ALL INSIDE RADI ARE .03 UNLESS OTHERWISE NOTED REMOVE ALL BURRS AND FLASH, BREAK ALL SHARP EDGES	DESCRIPTION	SIZE	DWG. NO.	REV	
	FINISH	SEE NOTES		TOLERANCES: ANGLE DECIMAL $\pm 1^\circ$ X $\pm 0.1$ mm XX $\pm 0.01$ mm		B	eW_Downlight_SM	B
	DRAWN	DATE		THIRD ANGLE PROJECTION		FILE NAME: eW_Downlight_SM	SCALE:	SHEET 1 OF 1
	CHECKED	DATE				ECO NOT SCALE DRAWING		

8 7 6 5 4 3 2 1