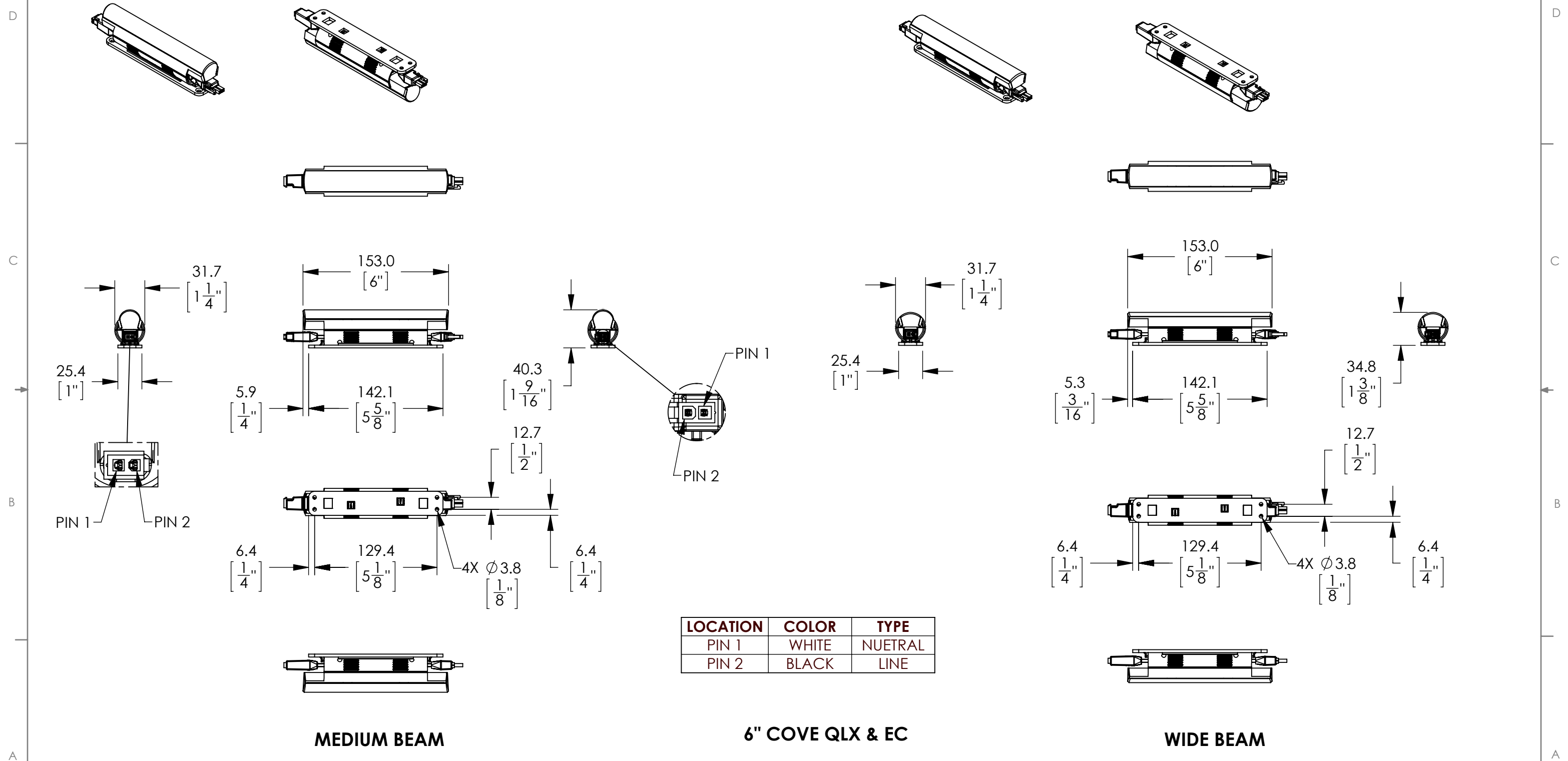


REVISIONS					
ZONE	REV.	ECO	DESCRIPTION	DATE	APPROVED
	00	009564	INITIAL RELEASE	12/11/2014	E.ACOSTA



LOCATION	COLOR	TYPE
PIN 1	WHITE	NUETRAL
PIN 2	BLACK	LINE

PROPRIETARY AND CONFIDENTIAL
 THE INFORMATION CONTAINED IN THIS DRAWING IS THE SOLE PROPERTY OF PHILIPS COLOR KINETICS, INC. ANY REPRODUCTION IN PART OR AS A WHOLE WITHOUT THE WRITTEN PERMISSION OF PHILIPS COLOR KINETICS, INC. IS PROHIBITED.

PHILIPS COLOR KINETICS
 PHILIPS COLOR KINETICS, INC. www.philips.com
 3 Burlington Woods Dr. Burlington MA 01803
 TEL: 888-385-5742 FAX: 617-338-0454

MATERIAL	SEE NOTES
FINISH	SEE NOTES
DRAWN	E.ACOSTA
DATE	12/11/2014
CHECKED	E.ACOSTA
DATE	12/11/2014

-UNLESS OTHERWISE SPECIFIED-
 DIMENSIONS ARE IN MILLIMETERS (INCHES)
 INTERPRET GEOMETRIC TOLERANCING PER: ANSI Y14.5M

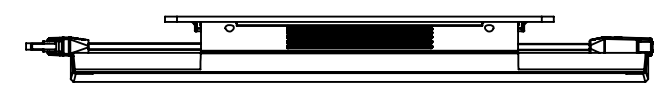
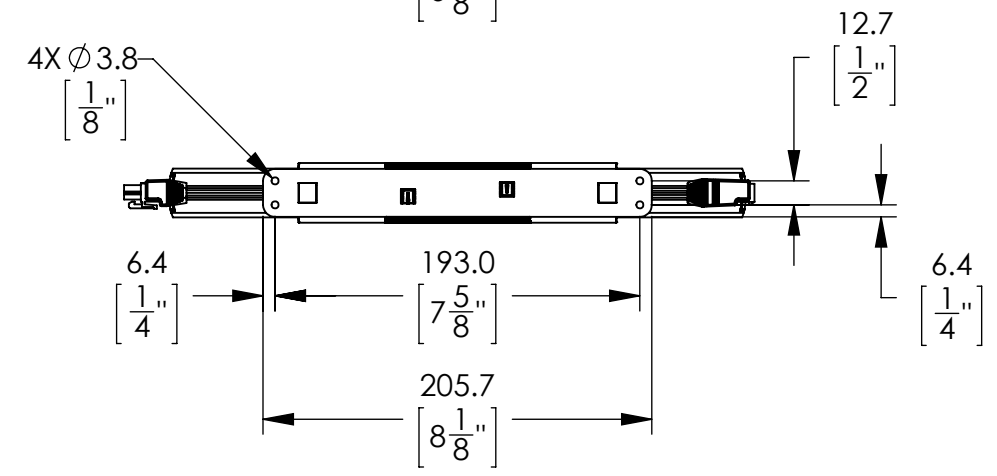
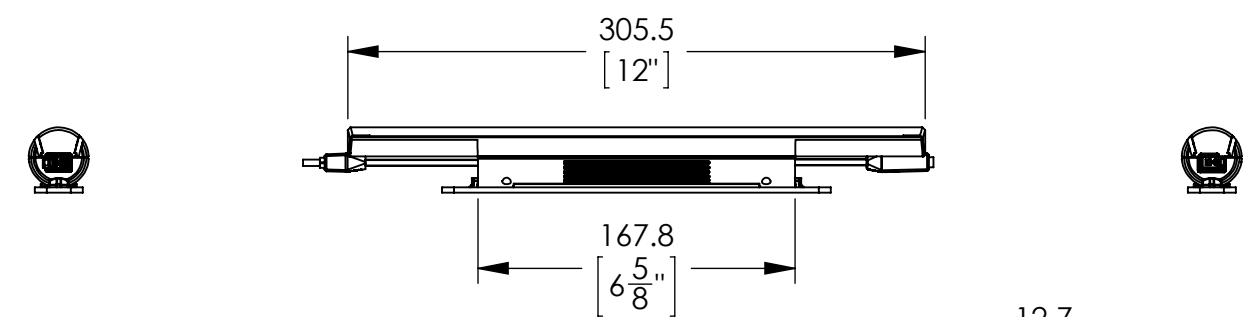
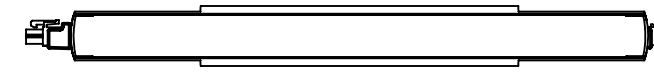
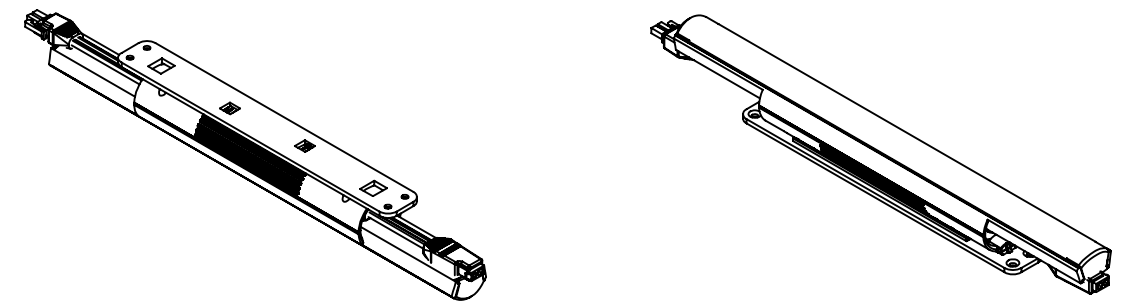
TOLERANCES: ANGLE ±1°
 DECIMAL
 .X ±0.5 mm
 .XX ±0.25 mm
 .XXX ±0.125 mm

THIRD ANGLE PROJECTION

DESCRIPTION
**EW COVE, QLX & EC
 POWERCORE, 6" & 12", PRODUCT
 DOCUMENT DRAWING**

SIZE	DWG. NO.	REV
B	PDD-000108-00	00
FILE NAME	DO NOT SCALE DRAWING	SHEET 1 OF 2
ASY-001783-XX	SCALE 1:4	

PROPRIETARY AND CONFIDENTIAL
 THE INFORMATION CONTAINED IN THIS DRAWING IS THE SOLE PROPERTY OF PHILIPS COLOR KINETICS, INC.
 ANY REPRODUCTION IN PART OR AS A WHOLE WITHOUT THE WRITTEN PERMISSION OF PHILIPS COLOR KINETICS, INC. IS PROHIBITED.



	DESCRIPTION	SIZE	DWG. NO.	REV
	EW COVE, QLX & EC POWERCORE, 6" & 12", PRODUCT DOCUMENT DRAWING	B	PDD-000108-00	00
	FILE NAME	DO NOT SCALE DRAWING		
	ASY-001784-XX	SCALE 1:4	SHEET 2 OF 2	