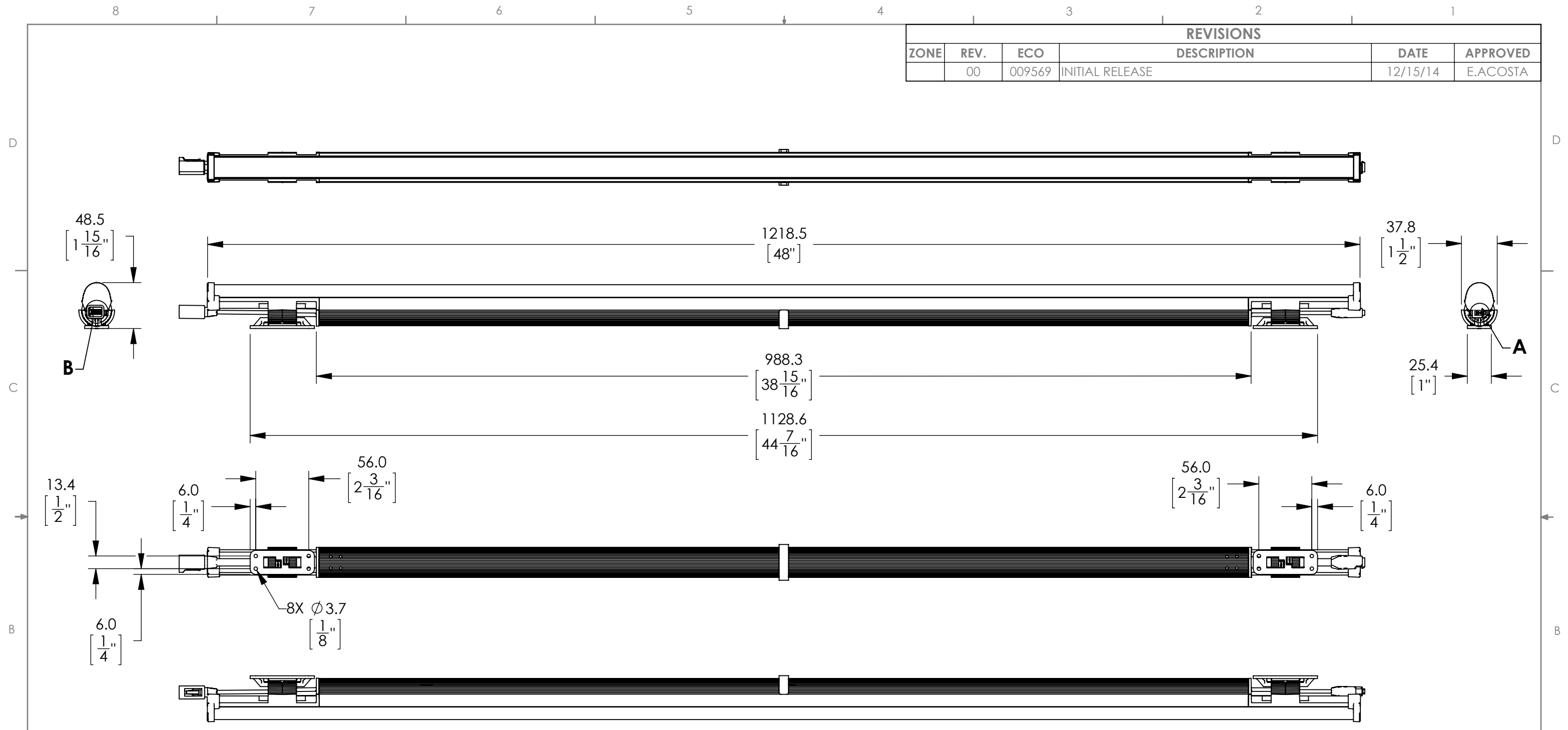
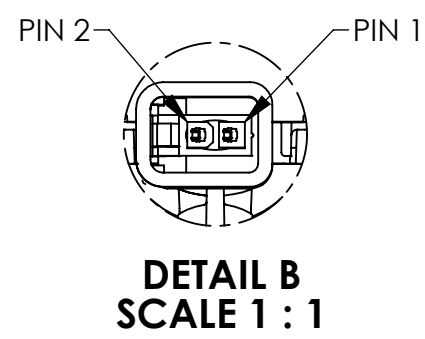


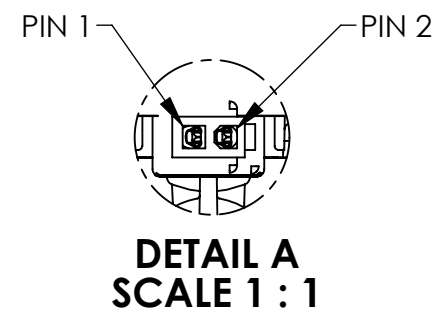
REVISIONS					
ZONE	REV.	ECO	DESCRIPTION	DATE	APPROVED
	00	009569	INITIAL RELEASE	12/15/14	E.ACOSTA



**eW COVE QLX MEDIUM BEAM 48"**



LOCATION	COLOR	TYPE
PIN 1	WHITE	NEUTRAL
PIN 2	BLACK	LINE



**PROPRIETARY AND CONFIDENTIAL**  
THE INFORMATION CONTAINED IN THIS DRAWING IS THE SOLE PROPERTY OF PHILIPS COLOR KINETICS, INC. ANY REPRODUCTION IN PART OR AS A WHOLE WITHOUT THE WRITTEN PERMISSION OF PHILIPS COLOR KINETICS, INC. IS PROHIBITED.

**PHILIPS** COLOR KINETICS  
PHILIPS COLOR KINETICS, INC. www.philips.com  
3 Burlington Woods Dr. Burlington MA 01803  
TEL: 888-385-5742 FAX: 617-338-0454

MATERIAL	SEE NOTES
FINISH	SEE NOTES
DRAWN	DATE
STEPHEN W. LEE	2013-01-21
CHECKED	DATE
STEPHEN W. LEE	2013-01-21

-UNLESS OTHERWISE SPECIFIED-  
DIMENSIONS ARE IN MILLIMETERS [INCHES]  
INTERPRET GEOMETRIC TOLERANCING PER: ANSI Y14.5M

TOLERANCES: ANGLE DECIMAL  
±1° .X ±0.5 mm  
.XX ±0.25 mm  
.XXX ±0.125 mm

THIRD ANGLE PROJECTION

DESCRIPTION  
**eW COVE, QLX & EC  
POWERCORE, 48 INCH, PRODUCT  
DOCUMENT DRAWING**

SIZE	DWG. NO.	REV
<b>B</b>	<b>PDD-000109-00</b>	<b>00</b>
FILE NAME	DO NOT SCALE DRAWING	SHEET 1 OF 5
ASY-001853-XX	SCALE 1:4	

8 7 6 5 4 3 2 1

**PROPRIETARY AND CONFIDENTIAL**  
THE INFORMATION CONTAINED IN THIS DRAWING IS THE SOLE PROPERTY OF PHILIPS COLOR KINETICS, INC.  
ANY REPRODUCTION IN PART OR AS A WHOLE WITHOUT THE WRITTEN PERMISSION OF PHILIPS COLOR KINETICS, INC. IS PROHIBITED.

D

D

C

C

B

B

A

A



**eW COVE QLX 48"**



DESCRIPTION  
**eW COVE, QLX & EC  
POWERCORE, 48 INCH, PRODUCT  
DOCUMENT DRAWING**

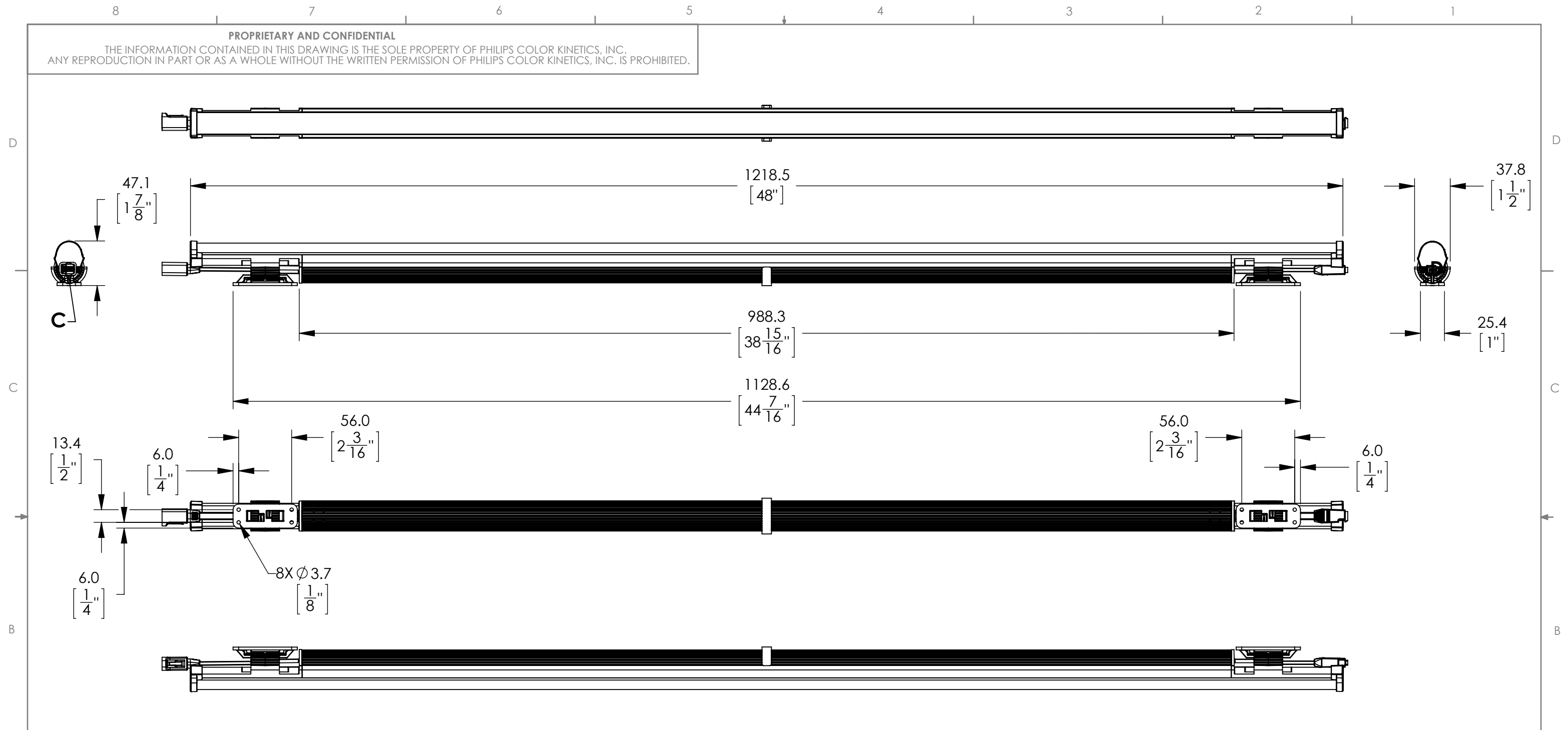
SIZE DWG. NO.  
**B PDD-000109-00**

REV  
**00**

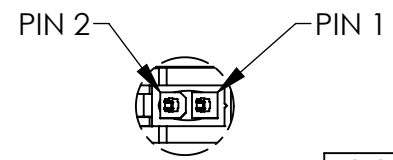
FILE NAME DO NOT SCALE DRAWING  
**ASY-001853-XX SCALE 10:1 SHEET 2 OF 5**

8 7 6 5 4 3 2 1

**PROPRIETARY AND CONFIDENTIAL**  
 THE INFORMATION CONTAINED IN THIS DRAWING IS THE SOLE PROPERTY OF PHILIPS COLOR KINETICS, INC.  
 ANY REPRODUCTION IN PART OR AS A WHOLE WITHOUT THE WRITTEN PERMISSION OF PHILIPS COLOR KINETICS, INC. IS PROHIBITED.

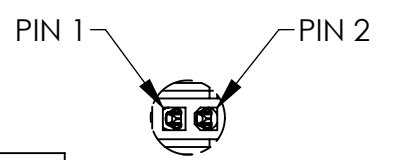


**eW COVE QLX/ EC WIDE BEAM 48"**



**DETAIL C  
SCALE 1 : 1**

LOCATION	COLOR	TYPE
PIN 1	WHITE	NEUTRAL
PIN 2	BLACK	LINE



**DETAIL D  
SCALE 1 : 1**



DESCRIPTION  
**eW COVE, QLX & EC  
 POWERCORE, 48 INCH, PRODUCT  
 DOCUMENT DRAWING**

SIZE	DWG. NO.	REV
<b>B</b>	<b>PDD-000109-00</b>	<b>00</b>
FILE NAME	DO NOT SCALE DRAWING	SHEET 3 OF 5
ASY-001853-XX	SCALE 1:4	

8 7 6 5 4 3 2 1

**PROPRIETARY AND CONFIDENTIAL**  
THE INFORMATION CONTAINED IN THIS DRAWING IS THE SOLE PROPERTY OF PHILIPS COLOR KINETICS, INC.  
ANY REPRODUCTION IN PART OR AS A WHOLE WITHOUT THE WRITTEN PERMISSION OF PHILIPS COLOR KINETICS, INC. IS PROHIBITED.





**eW COVE EC 48"**

D  
C  
B  
A

D  
C  
B  
A

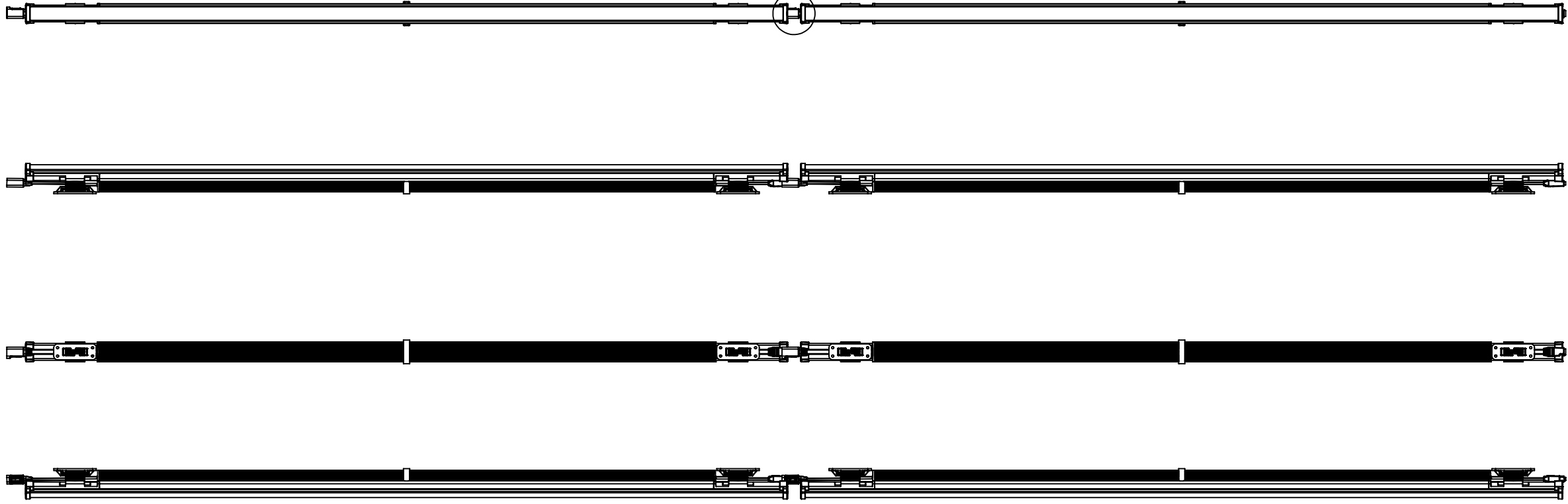
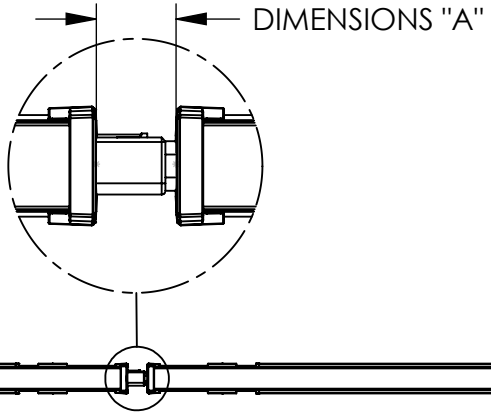
8 7 6 5 4 3 2 1

 	DESCRIPTION <b>eW COVE, QLX &amp; EC          POWERCORE, 48 INCH, PRODUCT          DOCUMENT DRAWING</b>		SIZE <b>B</b>	DWG. NO. <b>PDD-000109-00</b>	REV <b>00</b>
	FILE NAME <b>ASY-001853-XX</b>	DO NOT SCALE DRAWING SCALE <b>1:4</b>	SHEET <b>4</b> OF <b>5</b>		

8 7 6 5 4 3 2 1

**PROPRIETARY AND CONFIDENTIAL**  
THE INFORMATION CONTAINED IN THIS DRAWING IS THE SOLE PROPERTY OF PHILIPS COLOR KINETICS, INC.  
ANY REPRODUCTION IN PART OR AS A WHOLE WITHOUT THE WRITTEN PERMISSION OF PHILIPS COLOR KINETICS, INC. IS PROHIBITED.

DIMENSIONS "A"	
MAX.	MIN.
16mm/.6"	10mm/.4"



**eW COVE, QLX & EC 48"**



DESCRIPTION  
**eW COVE, QLX & EC  
 POWERCORE, 48 INCH, PRODUCT  
 DOCUMENT DRAWING**

SIZE	DWG. NO.	REV
<b>B</b>	<b>PDD-000109-00</b>	<b>00</b>
FILE NAME	DO NOT SCALE DRAWING	SHEET 5 OF 5
ASY-001853-XX	SCALE 1:4	

8 7 6 5 4 3 2 1