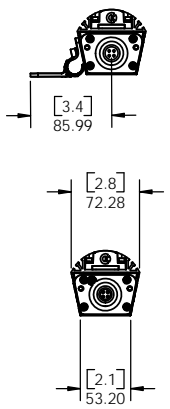
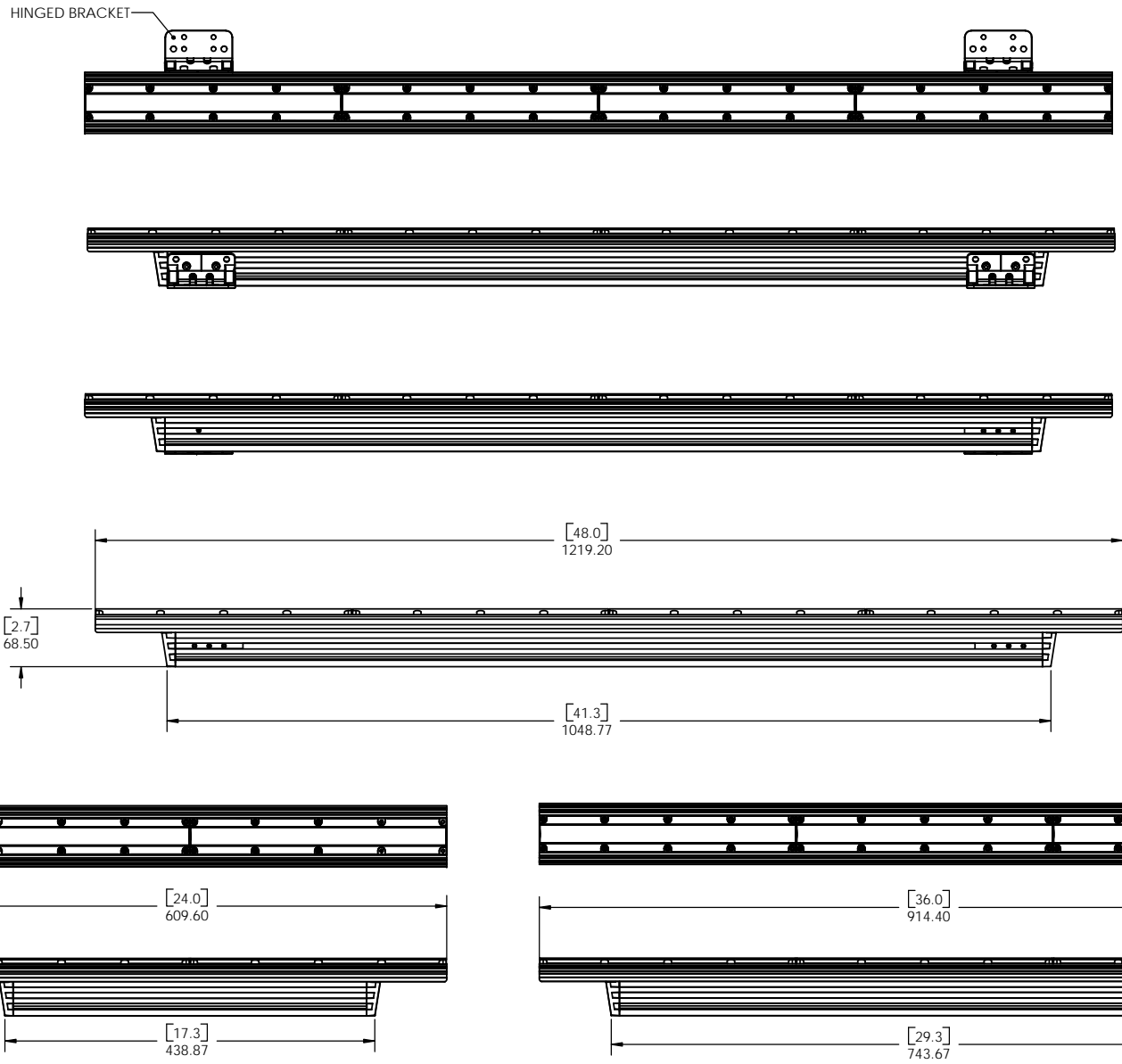


DESCRIPTION	PART NO.
COLORGRAZE POWERCORE 2'	123-000030
COLORGRAZE POWERCORE 3'	123-000030
COLORGRAZE POWERCORE 4'	123-000030

REVISIONS				
REV.	ECO#	DESCRIPTION	DATE	APPROVED



NOTES:
 1. MINIMUM SPACE BETWEEN FIXTURES: 3.1mm (1/8").

PROPRIETARY AND CONFIDENTIAL
 THE INFORMATION CONTAINED IN THIS DRAWING IS THE SOLE PROPERTY
 OF PHILIPS SOLID-STATE LIGHTING SOLUTIONS, INC.
 ANY REPRODUCTION IN PART OR AS A WHOLE WITHOUT THE WRITTEN
 PERMISSION OF PHILIPS SOLID-STATE LIGHTING SOLUTIONS, INC. IS
 PROHIBITED.

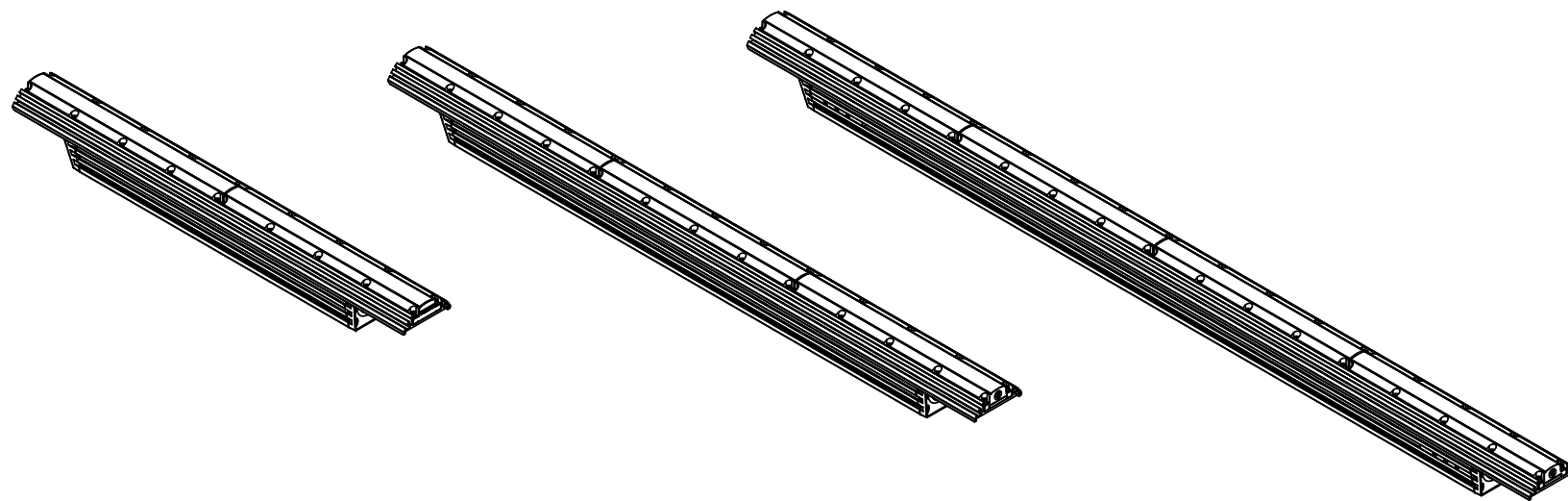


MATERIAL: SEE NOTES
 FINISH: SEE NOTES
 DRAWN: DATE:
 CHECKED: DATE:

UNLESS OTHERWISE SPECIFIED:
 DIMENSIONS ARE IN MILLIMETERS
 UNLESS OTHERWISE SPECIFIED:
 FINISH: SEE NOTES
 TOLERANCES:
 ANGLES: DECIMAL
 3° ± 0.1° mm
 15° ± 0.5° mm
 THIRD ANGLE PROJECTION

DESCRIPTION
 COLORGRAZE
 POWERCORE

SIZE DWG. NO. REV
 C 123-000030-XX 00
 SCALE 1:4 SHEET 1 OF 2



- NOTES:
1. CIRCLED DIMENSIONS ARE CRITICAL AND SUBJECT TO INSPECTION.
 2. FINISH: NONE
 3. MATERIAL: NONE

PROPRIETARY AND CONFIDENTIAL
 THE INFORMATION CONTAINED IN THIS DRAWING IS THE SOLE PROPERTY
 OF PHILIPS SOLID-STATE LIGHTING SOLUTIONS, INC.
 ANY REPRODUCTION IN PART OR AS A WHOLE WITHOUT THE WRITTEN
 PERMISSION OF PHILIPS SOLID-STATE LIGHTING SOLUTIONS, INC. IS
 PROHIBITED.

PHILIPS
 PHILIPS SOLID-STATE LIGHTING SOLUTIONS, INC.
 9 Burlington Woods Dr. Burlington MA 01803
 TEL: 888-365-0142 FAX: 617-638-0454
 www.philips.com

MATERIAL	SEE NOTES
FINISH	SEE NOTES
DRAWN	DATE
CHECKED	DATE

-UNLESS OTHERWISE SPECIFIED-
 DIMENSIONS ARE IN MILLIMETERS
 UNLESS OTHERWISE NOTED
 UNLESS OTHERWISE NOTED
 REMOVE ALL BURRS AND FLASH
 BREAK ALL SHARP EDGES

ANGLES
 DECIMAL
 X ° 2' mm
 X' X" mm

THIRD ANGLE
 PROJECTION

DESCRIPTION	COLORGRAZE POWERCORE
-------------	-------------------------

SIZE	DWG. NO.	REV
C	123-000030-XX	00
SCALE	1:1	SHEET 2 OF 2