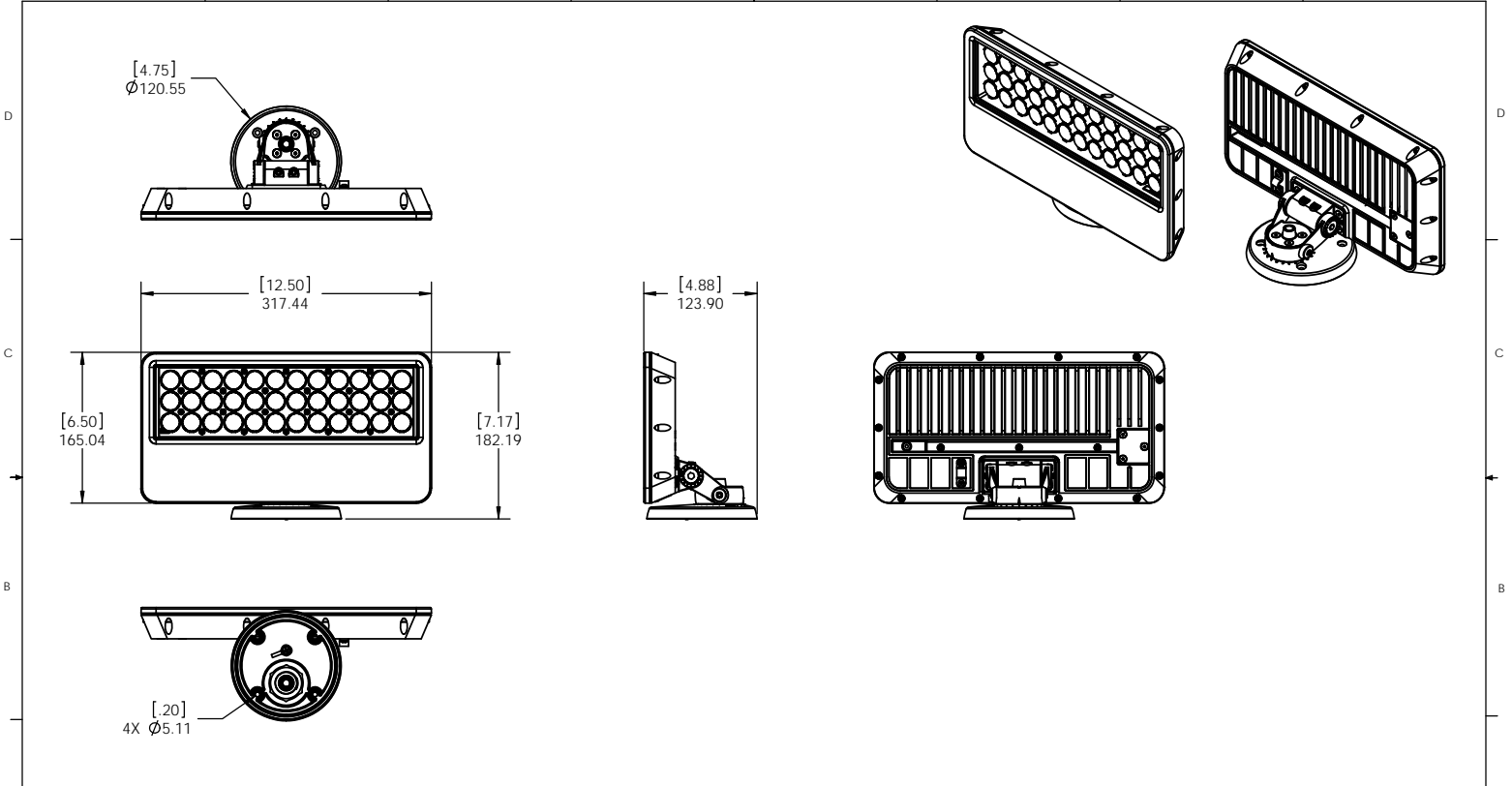


8 7 6 5 4 3 2 1



NOTES:

- 1. CIRCLED DIMENSIONS ARE CRITICAL AND SUBJECT TO INSPECTION.
- 2. FINISH: REFER TO BOM
- 3. MATERIAL: REFER TO BOM

<p><b>PHILIPS</b>          PHILIPS SOLID-STATE LIGHTING SOLUTIONS, INC.          3 Burlington Woods Dr. Burlington MA 01803          TEL: 888-365-5742 FAX: 617-338-4964          www.philips.com</p>	MATERIAL: SEE NOTES	<p>-UNLESS OTHERWISE SPECIFIED:          DIMENSIONS ARE IN MILLIMETERS          INTERPRET GEOMETRIC TOLERANCING          PER ANSI Y14.5M          ALL DIMENSIONS TO UNLESS OTHERWISE NOTED          REMOVE ALL BURRS AND FLASH          BREAK ALL SHARP EDGES</p>	<p>DESCRIPTION  <b>ColorBlast Powercore</b></p>	<p>SIZE DWG. NO.  <b>B</b> 123-000009-XX</p>	<p>REV          00</p>
	<p>FINISH: SEE NOTES</p>		<p>ANGLE DECIMAL          1/4° 1/2° 3/4° 1° 1/2° 2° 3° 4° 5° 6° 8° 10° 12° 15° 20° 25° 30° 35° 45° 60° 75° 90° 120° 150° 180°</p> <p>THIRD ANGLE PROJECTION</p>	<p>SCALE 1:4</p>	<p>SHEET 1 OF 1</p>

8 7 6 5 4 3 2 1