

8

7

6

5

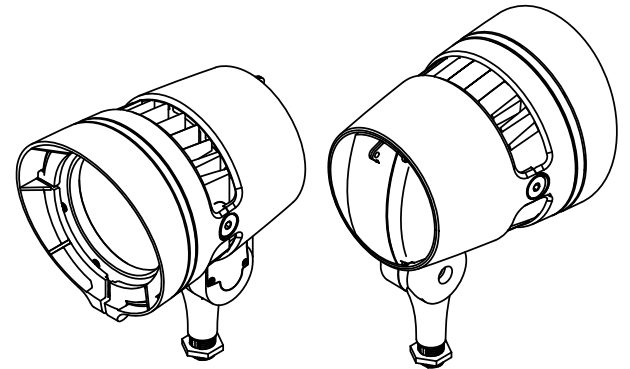
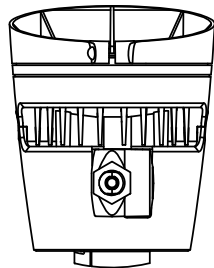
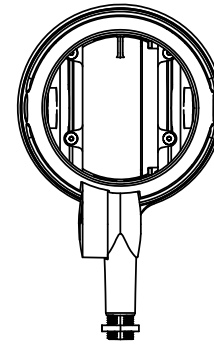
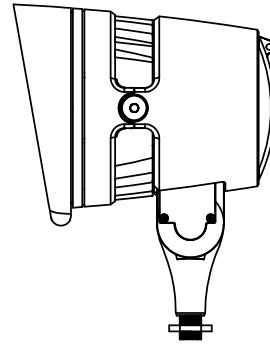
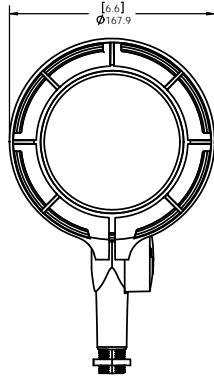
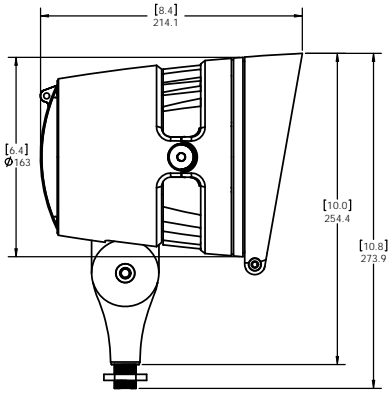
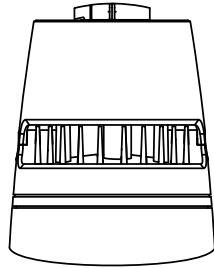
4

3

2

1

PROPRIETARY AND CONFIDENTIAL  
THE INFORMATION CONTAINED IN THIS DRAWING IS THE SOLE PROPERTY OF PHILIPS COLOR KINETICS, INC.  
ANY REPRODUCTION IN PART OR AS A WHOLE WITHOUT THE WRITTEN PERMISSION OF PHILIPS COLOR KINETICS, INC. IS PROHIBITED.



**BURST WITH 123-000103-01 (TRIM RING)**

8

7

6

5

4

3

2

1

<b>PHILIPS</b> PHILIPS LIGHTING 11100 Philips Drive Tel: 800-368-5842 Fax: 215-268-5842 www.philips.com	REV: 01	SEE NOTES	UNLESS OTHERWISE SPECIFIED: DIMENSIONS ARE IN MILLIMETERS	DESCRIPTION	SIZE DWG. NO.	REV
	DATE: 21-APR-02 BY: S. BARTOLUCCI	SEE NOTES	4° 10° 20° 30° 45° 60° 75° 90° 105° 120° 135° 150° 165° 180° HARDWARE PROTECTION	BURST POWERCORE	D	-
				SCALE: 1:2	SHEET 2 OF 2	