

8

7

6

5

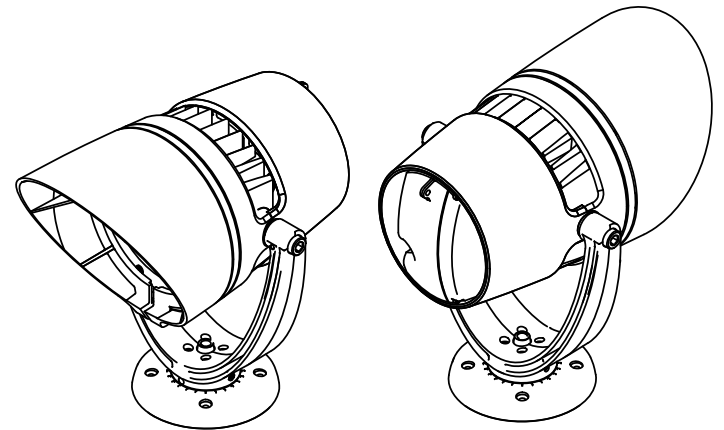
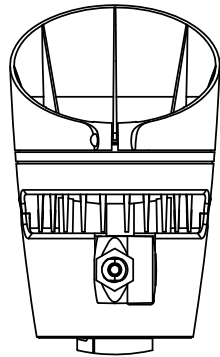
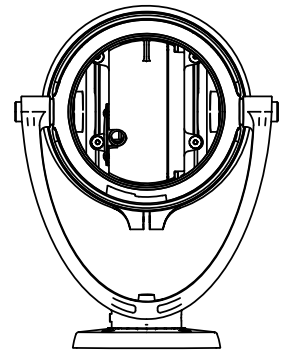
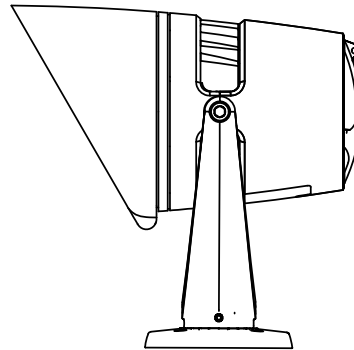
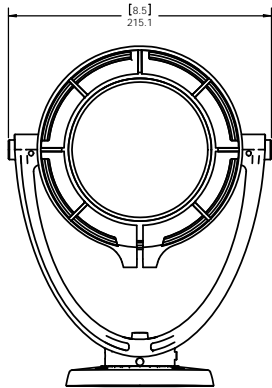
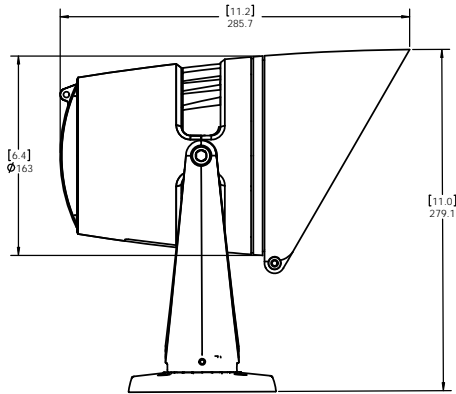
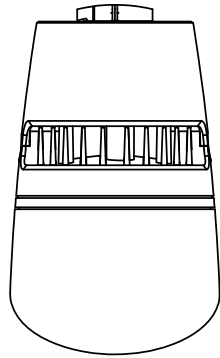
4

3

2

1

PROPRIETARY AND CONFIDENTIAL
THE INFORMATION CONTAINED IN THIS DRAWING IS THE SOLE PROPERTY OF PHILIPS COLOR KINETICS, INC.
ANY REPRODUCTION IN PART OR AS A WHOLE WITHOUT THE WRITTEN PERMISSION OF PHILIPS COLOR KINETICS, INC. IS PROHIBITED.



BURST WITH 123-000103-01 (GLARE SHIELD)

8

7

6

5

4

3

2

1

PHILIPS PHILIPS COLOR KINETICS, INC. 1000 PHILIPS DRIVE TEL: 800-368-5842 FAX: 215-338-5842	REVISION	SEE NOTES	UNLESS OTHERWISE SPECIFIED:	DESCRIPTION	SIZE	DWG. NO.	REV
	DATE	SEE NOTES	DRAWN AND CHECKED BY:	BURST POWERCORE	D		
			SCALE	1:2			