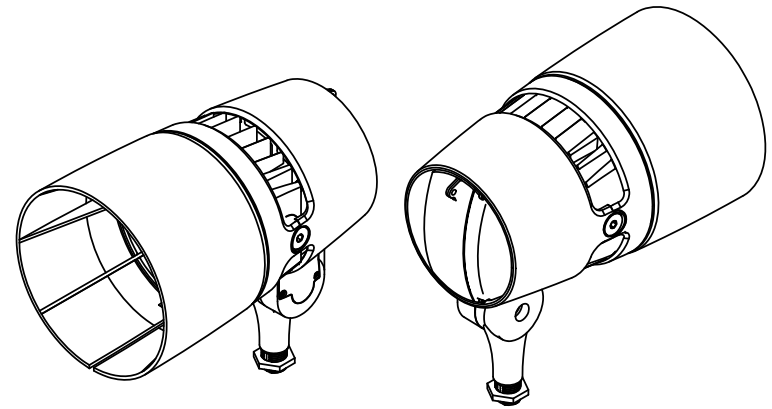
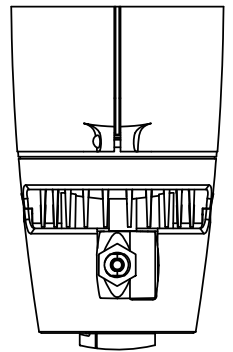
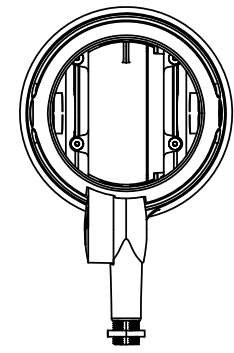
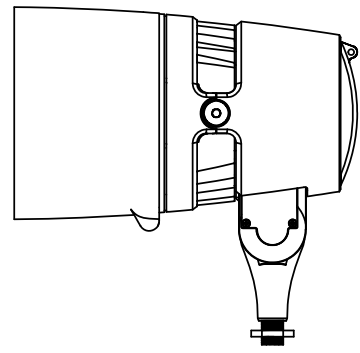
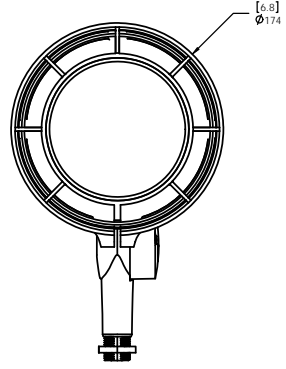
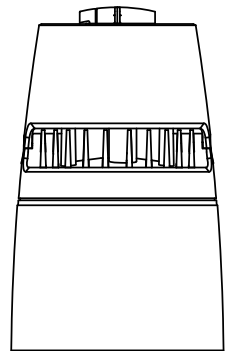
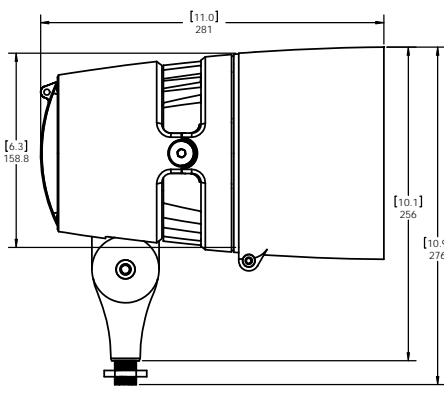


8 7 6 5 4 3 2 1

PROPRIETARY AND CONFIDENTIAL
THE INFORMATION CONTAINED IN THIS DRAWING IS THE SOLE PROPERTY OF PHILIPS COLOR KINETICS, INC.
ANY REPRODUCTION IN PART OR AS A WHOLE WITHOUT THE WRITTEN PERMISSION OF PHILIPS COLOR KINETICS, INC. IS PROHIBITED.



BURST WITH 123-000 103-02 (FULL SNOOT GLARE SHIELD)

8 7 6 5 4 3 2 1

PHILIPS CONSUMER ELECTRONICS 2500 BAYVIEW BLVD. SUITE 300 ANN ARBOR, MI 48106-1500 TEL: 800 854 4542 FAX: 313 634-6844 WWW.PHILIPS.COM	REV	SEE NOTES	UNLESS OTHERWISE SPECIFIED:	DESCRIPTION	SIZE	DWG. NO.	REV
	1	SEE NOTES	TERMINALS ARE TO BE WELDED BY APPLICABLE CODES E. BARTON, JR. 21 APR 02	4" x 4" x 1.25" MATERIAL: ALUMINUM FINISH: ANODIZED PRODUCTION	BURST POWERCORE	D	-
SCALE: 1:2				SHEET 2 OF 2			