

8

7

6

5

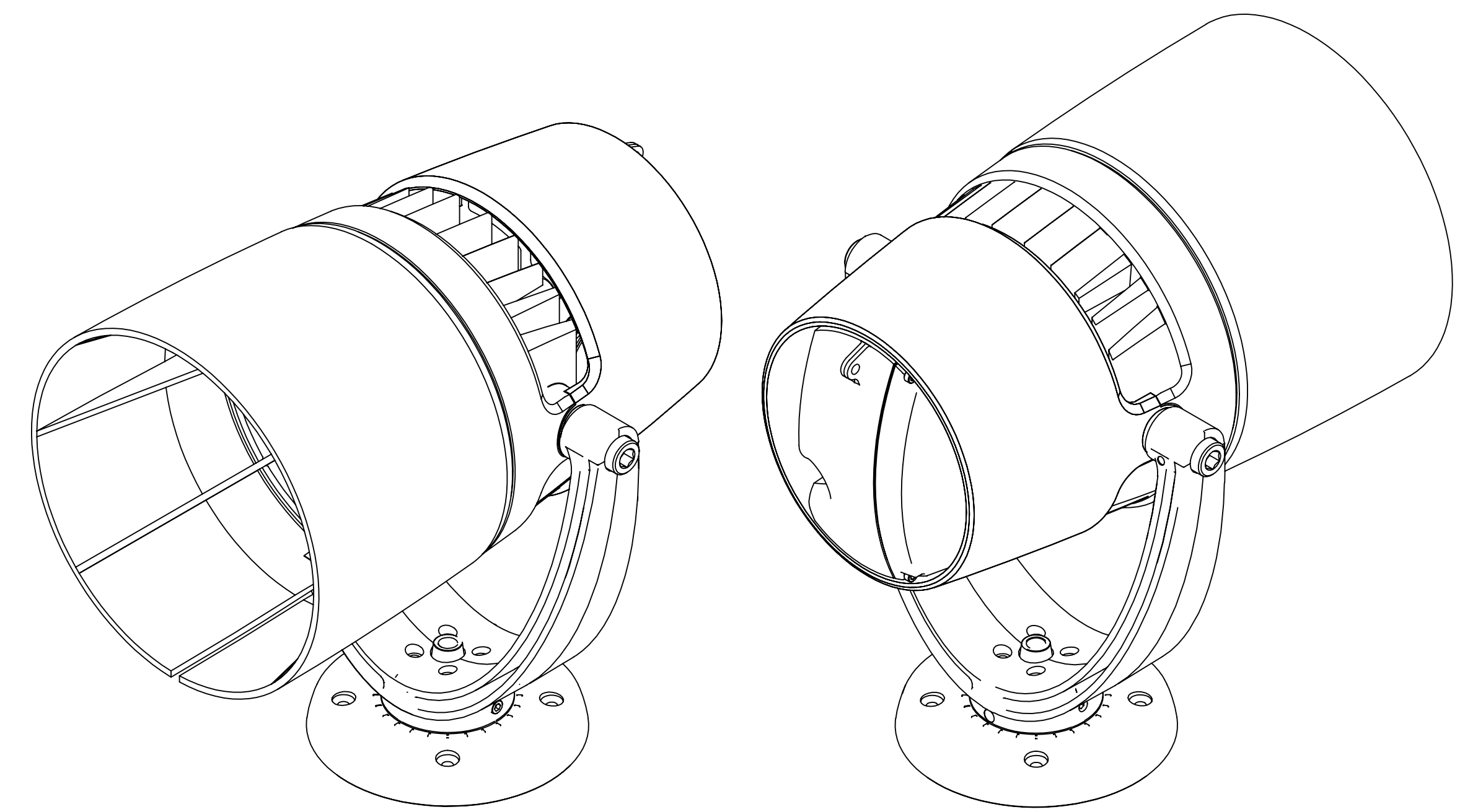
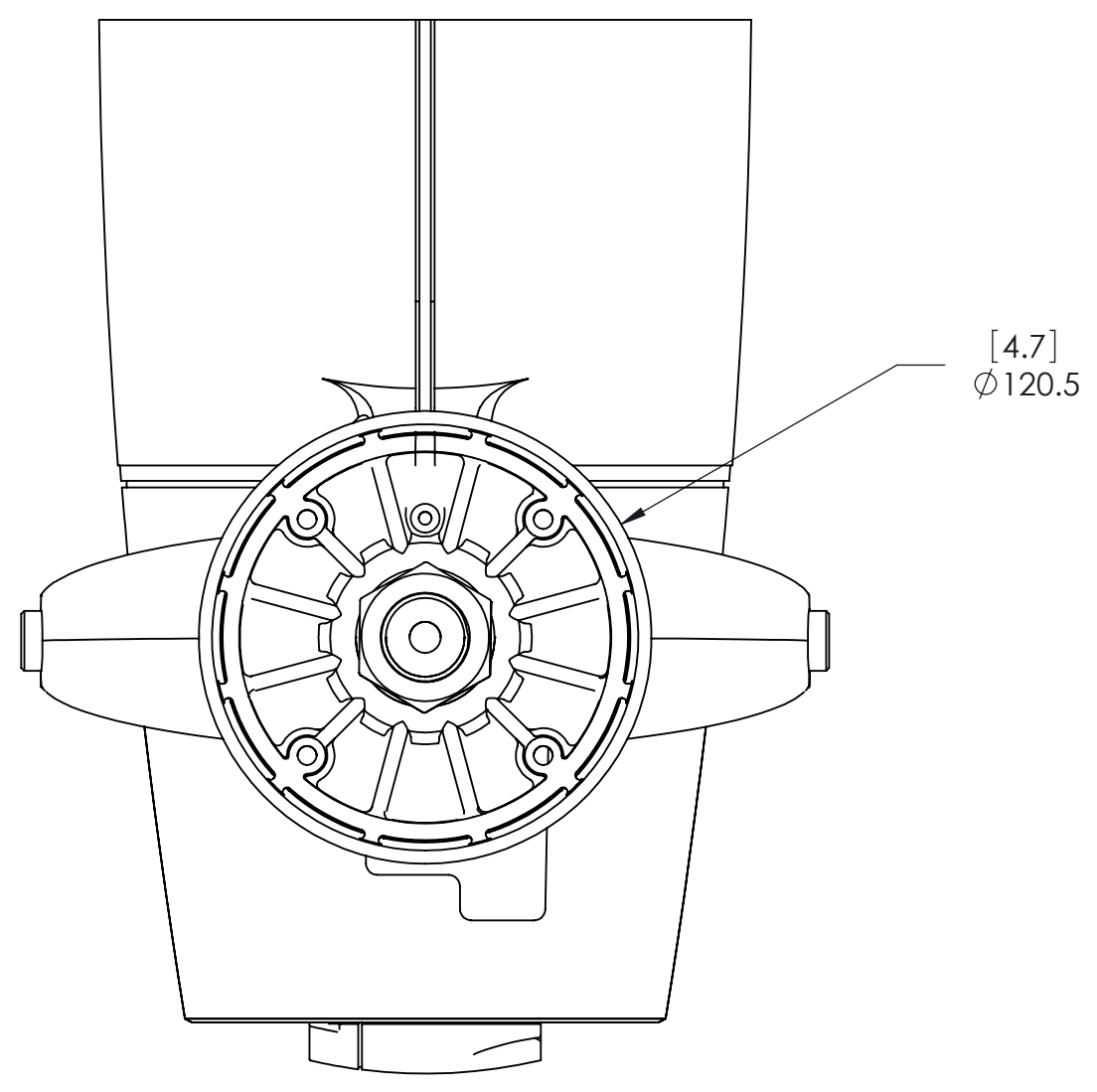
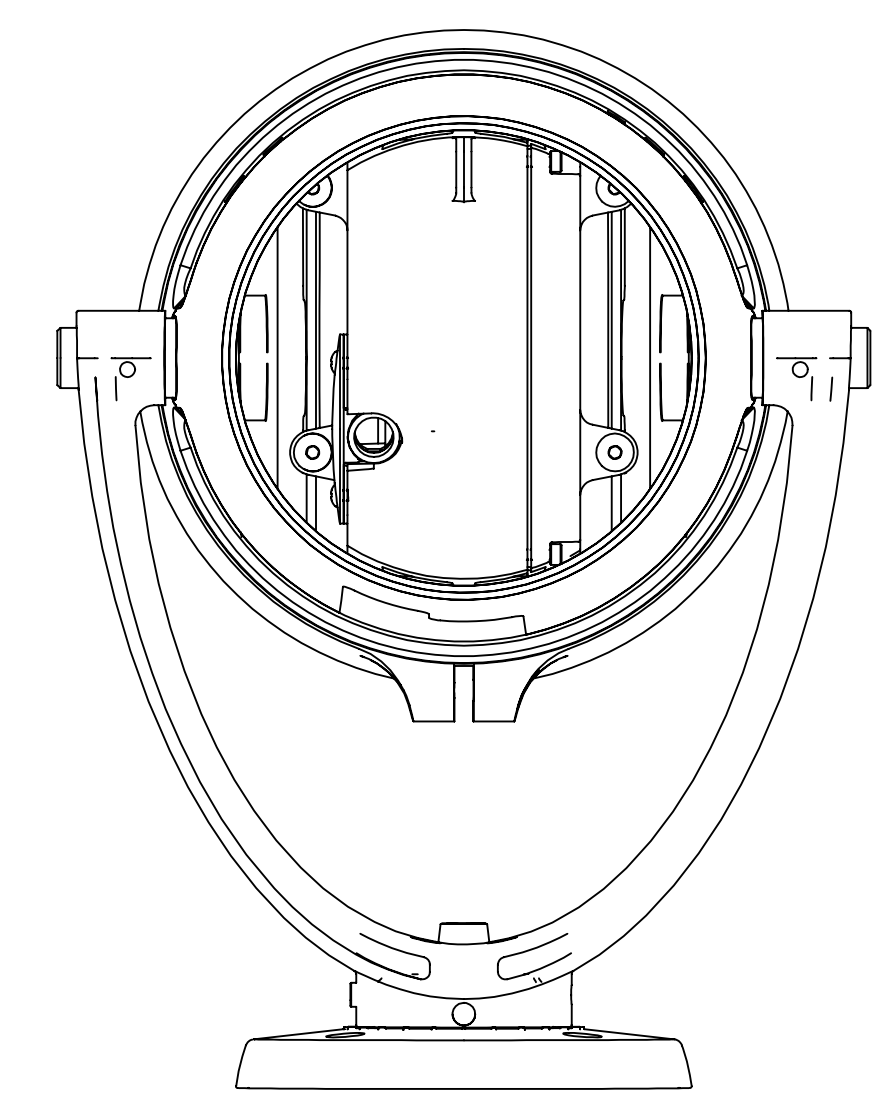
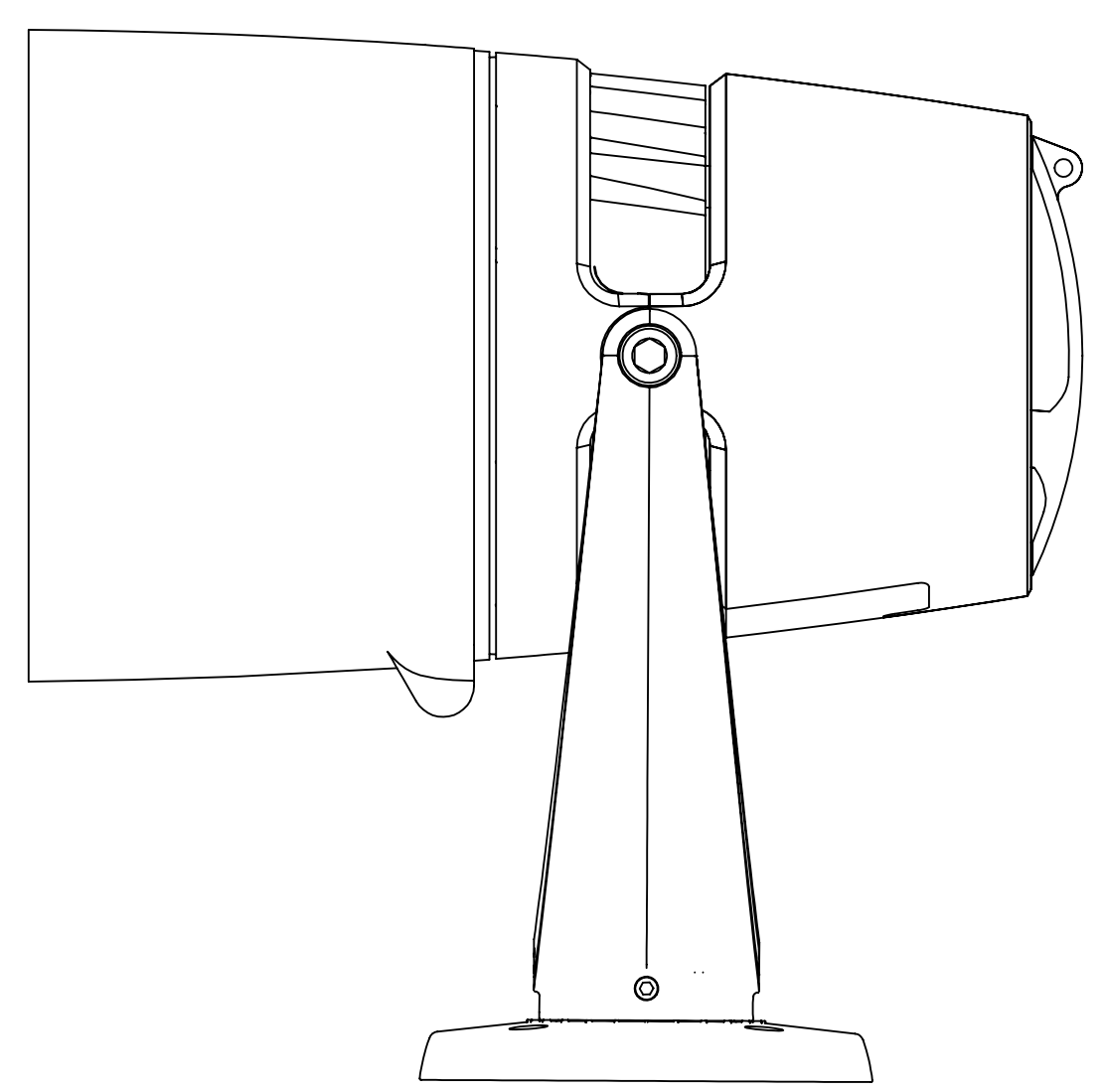
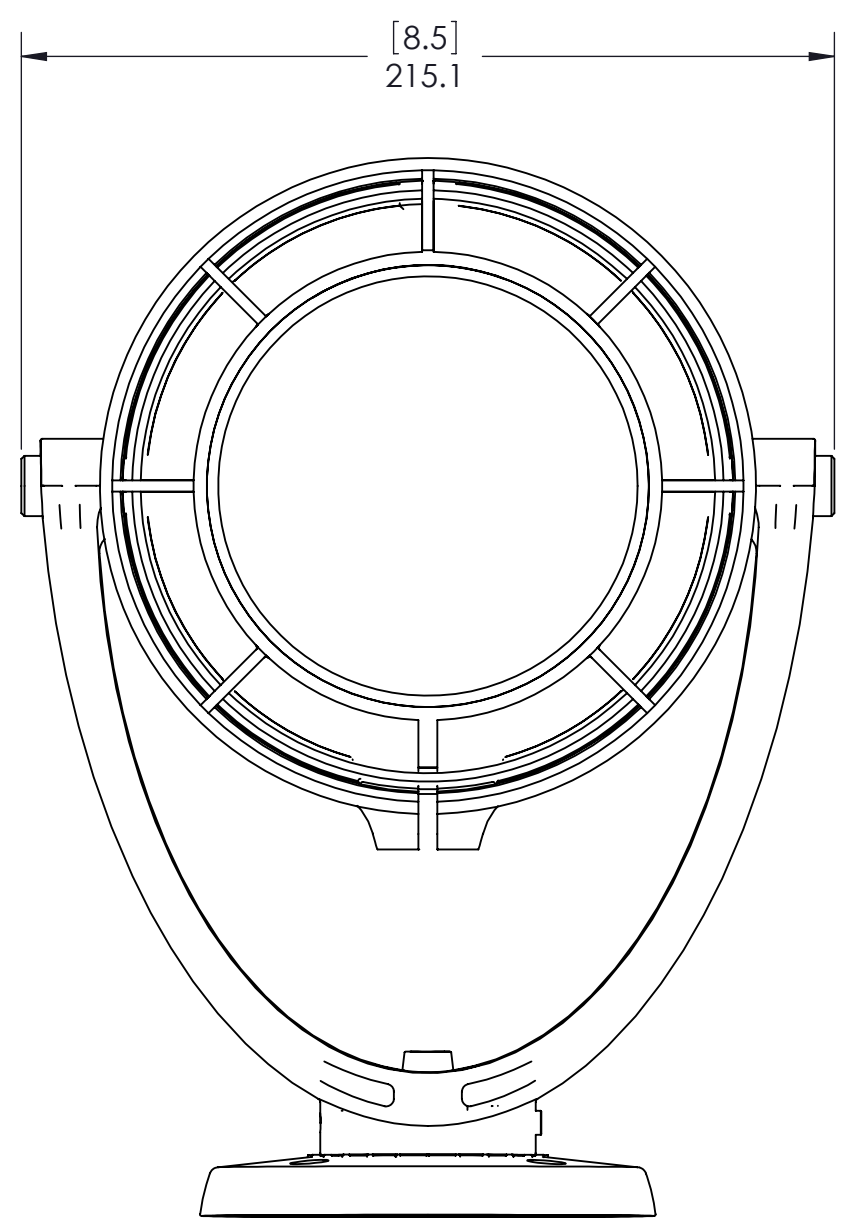
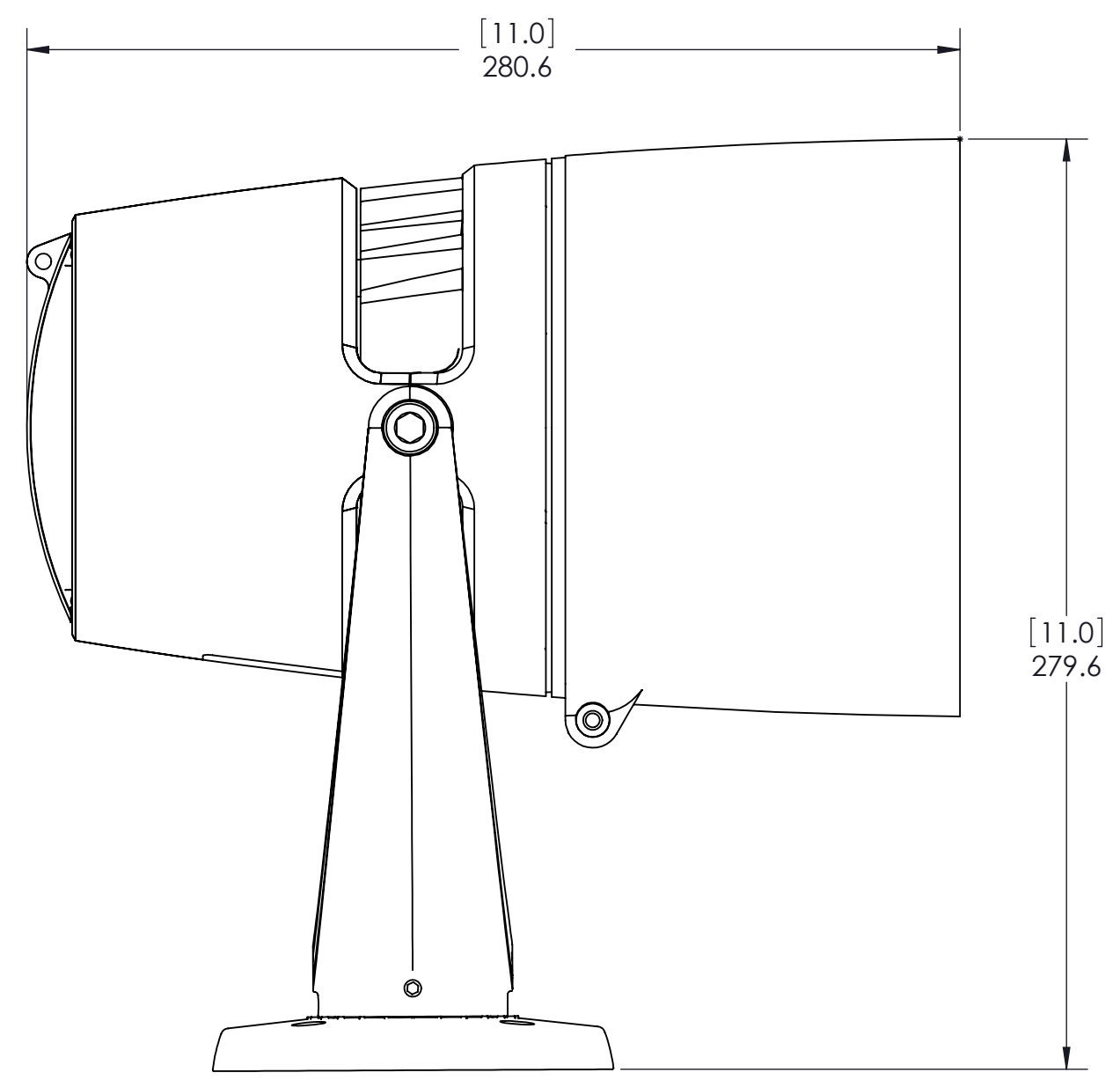
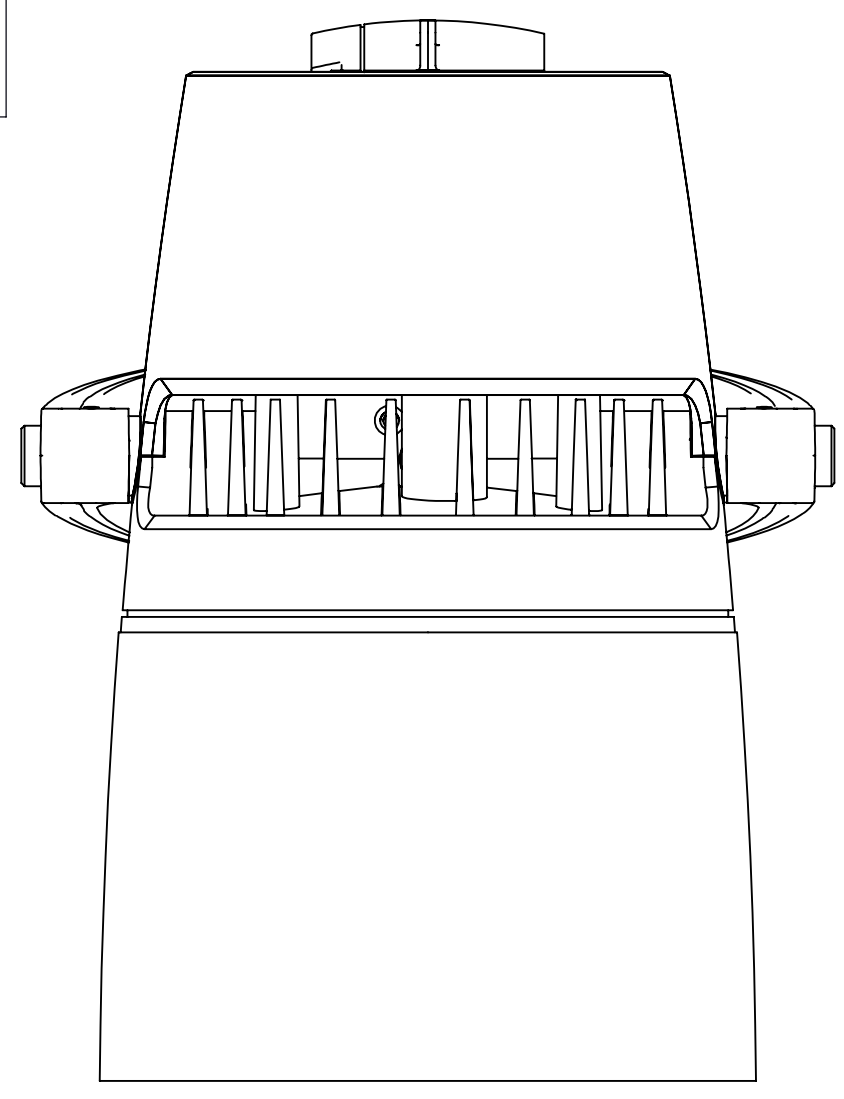
4

3

2

1

PROPRIETARY AND CONFIDENTIAL
THE INFORMATION CONTAINED IN THIS DRAWING IS THE SOLE PROPERTY OF PHILIPS COLOR KINETICS, INC.
ANY REPRODUCTION IN PART OR AS A WHOLE WITHOUT THE WRITTEN PERMISSION OF PHILIPS COLOR KINETICS, INC. IS PROHIBITED.



BURST WITH 120-000 103-02 (FULL SNOOT GLARE SHIELD)

PHILIPS PHILIPS SOLID STATE LIGHTING SOLUTIONS, INC. 3 BULLFINCH WOODS DR. BURLINGTON, MA 01803 TEL: 888-885-5742 FAX: 617-338-0454 WWW.PHILIPS.COM	MATERIAL	SEE NOTES	UNLESS OTHERWISE SPECIFIED:	DESCRIPTION	SIZE	DWG. NO.	REV
	FINISH	SEE NOTES	DIMENSIONS ARE IN MILLIMETERS INTERPRET GEOMETRIC TOLERANCING PER ASME Y14.5 ALL DIMENSIONS ARE TO UNLESS OTHERWISE NOTED REMOVE ALL BURRS AND FLASH BREAK ALL SHARP EDGES	BURST POWERCORE	D	ASY-000863-00	-
DRAWN	DATE	CHECKED	DATE	THIRD ANGLE PROJECTION	SCALE	1:2	SHEET 2 OF 2

8

7

6

5

4

3

2

1