



Date: \_\_\_\_\_  
Type: \_\_\_\_\_  
Firm Name: \_\_\_\_\_  
Project: \_\_\_\_\_



## sPDS-60ca 24V

Compact power/data supply for indoor installations

sPDS-60ca 24V is a compact power/data supply designed for indoor LED lighting installations using Chromasic luminaires from Philips Color Kinetics. It can work with both DMX and Ethernet controllers, so you can use it in installations of virtually any size. In DMX networks, it boasts an easy-to-read digital display and onboard push-button controls, which allow for quick and easy commissioning of new installations. Ethernet commissioning is even easier—just connect the sPDS-60ca 24V to your lighting network, and you'll instantly be able to play your light shows.

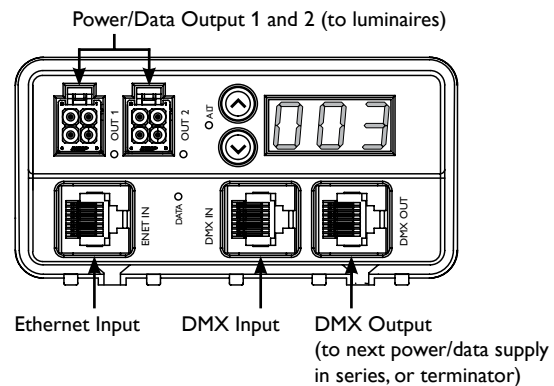
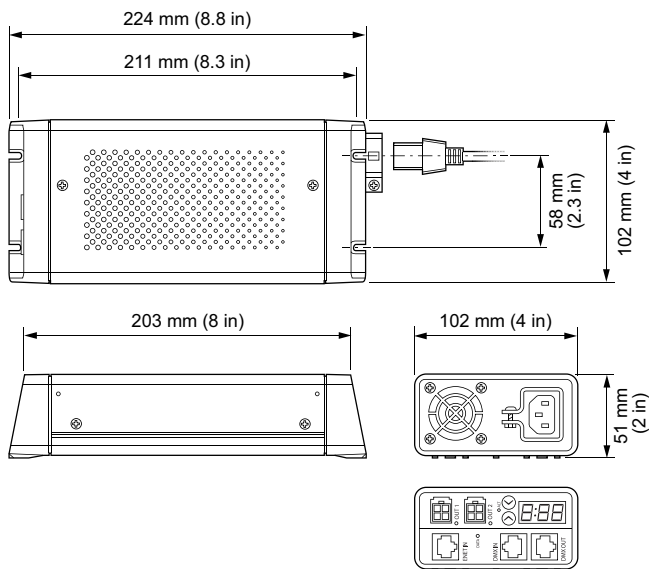
# sPDS-60ca 24V

## Compact power/data supply for indoor installations

- Supports intelligent luminaire grouping—sPDS-60ca 24V can group consecutive nodes together so that they operate in unison. Grouping multiple nodes together decreases the total number of unique addresses that your installation requires, allowing you to include more nodes in a DMX universe.
- Automatically discovers connected luminaires—Because sPDS-60ca 24V works with Chromasic luminaires, it detects connected LED nodes and automatically assigns a DMX address to each node. This radically simplifies the commissioning process and reduces the time you need to set up your lighting network.
- Versatile use in DMX and Ethernet installations—sPDS-60ca 24V can be used in LED lighting installations containing as little as a single DMX universe, but it's smart enough to detect when it's connected to an Ethernet installation. That also means that sPDS-60ca 24V is compatible with every controller available from Philips Color Kinetics.
- Onboard addressing—Push-button controls incorporate the ability to program base light addresses and configure light groups, eliminating the need for additional addressing tools or software.
- Delivers 62 watts of total output—Accommodates input voltages ranging from 100 VAC to 240 VAC. All power and data connections are made via an external panel, for reduced installation time. Short-circuit protection prevents failure due to incorrectly wired luminaires.

For detailed product information, please refer to the sPDS-60ca 24V Product Guide at <http://www.colorkinetics.com/ls/pds/spds60/>.

## Dimensions



# Specifications

Due to continuous improvements and innovations, specifications may change without notice.

Date: \_\_\_\_\_

Type: \_\_\_\_\_

Firm Name: \_\_\_\_\_

Project: \_\_\_\_\_



**sPDS-60ca 24V**

## Electrical

Input Voltage	100 to 240 VAC, auto-ranging, 50/60 Hz
Power Consumption	1.7 A at 100 VAC
	1.5 A at 120 VAC
	0.75 A at 240 VAC
Power Output	24 VDC, 62 W maximum

## Control

Data Input Source	Philips full range of controllers, third-party DMX controllers, or KiNET-compatible* third-party Ethernet controllers
Data Input	RJ-45 input connectors
Data Output	RJ-45 output connector
Power and Data Output	(2) 4-pin output receptacles
Power Input	IEC 320 receptacle type C13, locking clamp

## Physical

Dimensions <i>(Height x Width x Depth)</i>	52 x 102 x 224 mm (2 x 4 x 8.8 in)
Weight	0.9 kg (2 lb)
Housing Material	Aluminium enclosure with impact resistant, injection-molded plastic end caps
Finish	Gray matte
Mounting	Surface-mountable
Compatible Luminaires	(60) eW Flex Compact nodes (120) eW Flex Micro nodes (60) iColor Flex LMX gen2 nodes
Temperature Ranges	-10 to 40 °C (14 to 104 °F) Operating -10 to 50 °C (14 to 122 °F) Startup -40 to 80 °C (-40 to 176 °F) Storage
Humidity	0 to 95%, non-condensing
Cooling	Thermostatically controlled fan with serviceable air filter
Airflow	Top cover input, back panel output
Heat Dissipation	25% of total power input at maximum load

## Certification and Safety

Certification	UL/cUL, PSE
Classification	UL Class 2 power supply
Environment	Dry Location, IP20



\* KiNET is the Ethernet lighting protocol from Philips Color Kinetics.

## Part numbers

Use Item Number when ordering in North America.

Power Supply	Item Number	Philips 12NC
sPDS-60ca 24V, US power cord <i>Power/data supply, IEC US power cord, DMX data terminator, 3 clamp-on EMI suppression cores, and Installation Instructions</i>	109-000021-04	912400133527
sPDS-60ca 24V, EU/UK power cord <i>Power/data supply, IEC EU/UK power cord, DMX data terminator, 3 clamp-on EMI suppression cores, and Installation Instructions</i>	109-000021-05	912400133636

## Additional Information

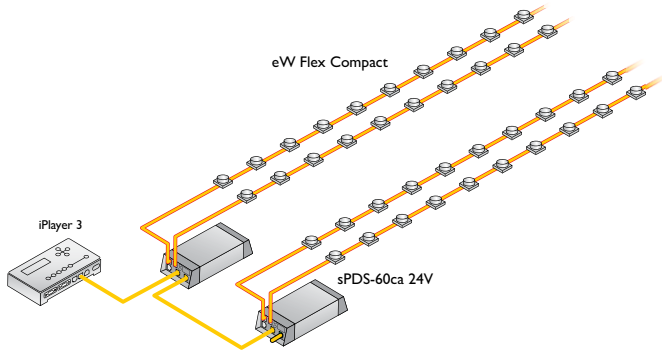
For device mounting and maintenance details, refer to the Installation Instructions included in the product packaging, or download documentation from [www.colorkinetics.com/ls/pds/spds60/](http://www.colorkinetics.com/ls/pds/spds60/).

sPDS-60ca 24V wiring diagrams are available online at [www.colorkinetics.com/support/wiring/](http://www.colorkinetics.com/support/wiring/).

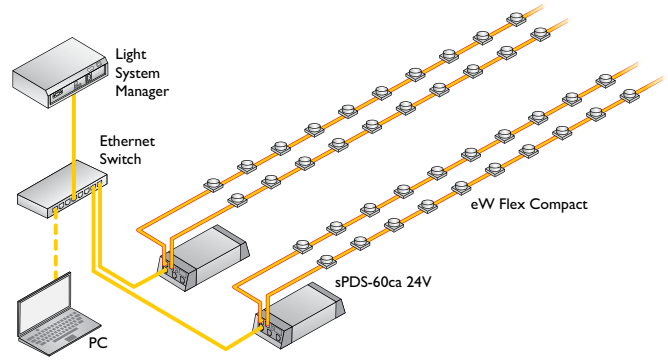
For complete instructions detailing sPDS-60ca 24V onboard controls and features, refer to the Addressing and Configuration Guide available online at [www.colorkinetics.com/support/addressing/](http://www.colorkinetics.com/support/addressing/).

# Installation Examples

DMX Configuration



Ethernet Configuration



Copyright © 2018 Philips Lighting Holding B.V., All rights reserved. Chromacore, Chromasic, CK, the CK logo, Color Kinetics, the Color Kinetics logo, ColorBlast, ColorBlaze, ColorBurst, ColorGraze, ColorPlay, ColorReach, iW Reach, eW Reach, DIMand, EssentialWhite, EvenBalance, eW, iColor, iColor Cove, IntelliWhite, iW, iPlayer, Optibin, and Powercore are either registered trademarks or trademarks of Philips Lighting Holding B.V. in the United States and/or other countries. All other brand or product names are trademarks or registered trademarks of their respective owners. Due to continuous improvements and innovations, specifications may change without notice.

DAS-000065-01 R05 10 April 2018



Philips Color Kinetics  
[www.philips.com/colorkinetics](http://www.philips.com/colorkinetics)