



Date: _____ Type: _____

Firm Name: _____

Project: _____

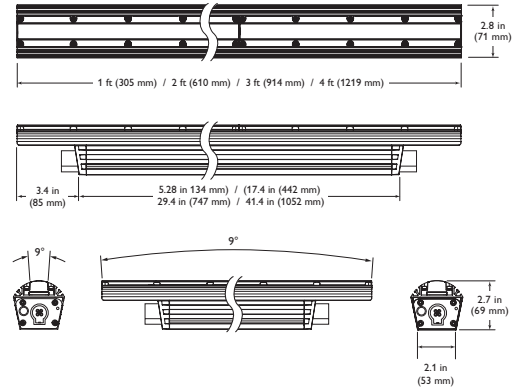
iW Graze QLX Powercore 5W

30° x 60° beam angle

Low-power linear exterior LED wall grazing fixture with intelligent white light

Factory-set to consume a maximum of 5 W per foot, iW Graze QLX Powercore 5W supports ASHRAE standards, LEED green building certification, and other power-limited projects. Offers the same beam spread options as iW Graze QLX Powercore. Fixtures process power directly from line voltage, eliminating the need for external power supplies. Channels of cool, neutral, and warm white LEDs produce color temperatures ranging from 2700 K – 6500 K. Four fixture lengths and five beam angles support a large range of façade or surface illumination applications.

For detailed product information, please refer to the iW Graze Powercore Family Product Guide at www.philipscolorkinetics.com/ls/intelligentwhite/iwgrazeqlxpowercore5w/



Specifications

Due to continuous improvements and innovations, specifications may change without notice.

Item	Specification	1 ft (305 mm)	2 ft (610 mm)	3 ft (914 mm)	4 ft (1219 mm)
Output	Lumens*	188	376	564	752
	Efficacy (lm / W)	20.6			
	CRI	82			
	Lumen Maintenance‡	60,000 hours L70 @ 25° C	60,000 hours L70 @ 50° C	60,000 hours L50 @ 25° C	60,000 hours L50 @ 50° C
Electrical	Input Voltage	100 – 277 VAC, auto-ranging 50 / 60 Hz			
	Power Consumption	5 W	10 W	15 W	20 W
Control	Interface	Data Enabler Pro (DMX or Ethernet)			
	Control System	Philips Color Kinetics full range of controllers, including Light System Manager and iPlayer 3, or third-party controllers			
Physical	Dimensions (Height x Width x Depth)	2.7 x 12 x 2.8 in (69 x 305 x 71 mm)	2.7 x 24 x 2.8 in (69 x 610 x 71 mm)	2.7 x 36 x 2.8 in (69 x 914 x 71 mm)	2.7 x 48 x 2.8 in (69 x 1219 x 71 mm)
	Weight	2.1 lb (1.0 kg)	4.6 lb (2.1 kg)	7.1 lb (3.2 kg)	9.3 lb (4.2 kg)
	Housing	Extruded anodized aluminum			
	Lens	Clear polycarbonate			
	Fixture Connectors	Integral male / female waterproof connectors			
	Mounting	Multi-positional, constant torque locking hinges			
	Temperature	-40° – 122° F (-40° – 50° C) Operating -4° – 122° F (-20° – 50° C) Startup -40° – 176° F (-40° – 80° C) Storage			
	Humidity	0 – 95%, non-condensing			
	Fixture Run Lengths	To calculate fixture run lengths and total power consumption for your specific installation, download the Configuration Calculator from www.philipscolorkinetics.com/support/install_tool/			
Certification and Safety	Certification	UL / cUL, FCC Class A, CE, PSE, C-Tick			
	Environment	Dry / Damp / Wet Location, IP66			

* 1 ft (305 mm) lumen output measurements comply with IES LM-79-08 testing procedures. 2 ft (610 mm), 3 ft (914 mm), and 4 ft (1219 mm) measurements are estimated based on the 1 ft (305 mm) measurements.



‡ L70 = 70% lumen maintenance (when light output drops below 70% of initial output). L50 = 50% lumen maintenance (when light output drops below 50% of initial output). Ambient luminaire temperatures specified. Lumen maintenance calculations are based on lifetime prediction graphs supplied by LED source manufacturers. Calculations for white-light LED fixtures are based on measurements that comply with IES LM-80-08 testing procedures. Refer to www.philipscolorkinetics.com/support/appnotes/lm-80-08.pdf for more information.



Fixtures

Item	Beam Angle	Item Number	Philips 12NC
iW Graze QLX Powercore 5W 1 ft (305 mm)	9° x 9°	523-000085-00	910503704062
	10° x 60°	523-000085-01	910503703819
	15° x 30°	523-000085-02	910503703820
	30° x 60°	523-000085-03	910503703821
	60° x 30°	523-000085-04	910503703822
iW Graze QLX Powercore 5W 2 ft (610 mm)	9° x 9°	523-000085-05	910503703823
	10° x 60°	523-000085-06	910503703824
	15° x 30°	523-000085-07	910503703825
	30° x 60°	523-000085-08	910503703826
	60° x 30°	523-000085-09	910503703827
iW Graze QLX Powercore 5W 3 ft (914 mm)	9° x 9°	523-000085-10	910503703828
	10° x 60°	523-000085-11	910503703829
	15° x 30°	523-000085-12	910503703830
	30° x 60°	523-000085-13	910503703831
	60° x 30°	523-000085-14	910503703832
iW Graze QLX Powercore 5W 4 ft (1219 mm)	9° x 9°	523-000085-15	910503703833
	10° x 60°	523-000085-16	910503703834
	15° x 30°	523-000085-17	910503703835
	30° x 60°	523-000085-18	910503703836
	60° x 30°	523-000085-19	910503703837

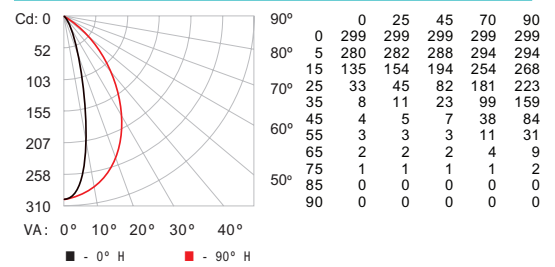
Use Item Number when ordering in North America.

Photometrics

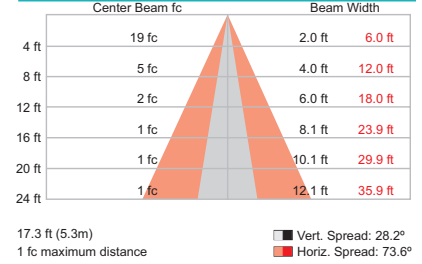
iW Graze QLX Powercore 5W

1 ft, 30° x 60° beam angle

Polar Candela Distribution



Illuminance at Distance



Lumens	Efficacy
188	20.6

For lux multiply fc by 10.7

Accessories

Item	Type	Item Number	Philips 12NC
Leader Cable with Terminator	UL / cUL	10 ft (3.0 m)	108-000055-03 910503704066
		50 ft (15.2 m)	108-000055-00 910503703137
	CE / PSE	10 ft (3.0 m)	108-000055-04 910503704067
		50 ft (15.2 m)	108-000055-01 910503704064
Jumper Cable	UL / cUL	End-to-End	108-000057-00 910503703139
		1 ft (305 mm)	108-000057-03 910503704076
		5 ft (1.5 m)	108-000057-06 910503704079
		10 ft (3.0 m)	108-000057-09 910503704082
	CE / PSE	End-to-End	108-000057-01 910503704074
		1 ft (305 mm)	108-000057-04 910503704077
		5 ft (1.5 m)	108-000057-07 910503704080
		10 ft (3.0 m)	108-000057-10 910503704083
Glare Shield		1 ft (305 mm)	120-000081-00 910503700745
		2 ft (610 mm)	120-000081-01 910503700746
		3 ft (914 mm)	120-000081-02 910503700747
		4 ft (1219 mm)	120-000081-03 910503700748
Additional Terminators	Quantity 10	120-000157-00	910503703142
Additional Hinge	Quantity 1	120-000098-00	910503700772

Use Item Number when ordering in North America.



Philips Color Kinetics
 3 Burlington Woods Drive
 Burlington, Massachusetts 01803 USA
 Tel 888.385.5742
 Tel 617.423.9999
 Fax 617.423.9998
www.philipscolorkinetics.com

Copyright © 2013 Philips Solid-State Lighting Solutions, Inc. All rights reserved.
 Chromacore, Chromasic, CK, the CK logo, Color Kinetics, the Color Kinetics logo, ColorBlast, ColorBlaze, ColorBurst, eW Fuse, ColorGraze, ColorPlay, ColorReach, iW Reach, eW Reach, DIMand, EssentialWhite, eW, iColor, iColor Cove, IntelliWWhite, iW, iPlayer, Optibin, and Powercore are either registered trademarks or trademarks of Philips Solid-State Lighting Solutions, Inc. in the United States and / or other countries. All other brand or product names are trademarks or registered trademarks of their respective owners. Due to continuous improvements and innovations, specifications may change without notice. DAS-000115-34 R00 10-13