



Date: _____ Type: _____

Firm Name: _____

Project: _____

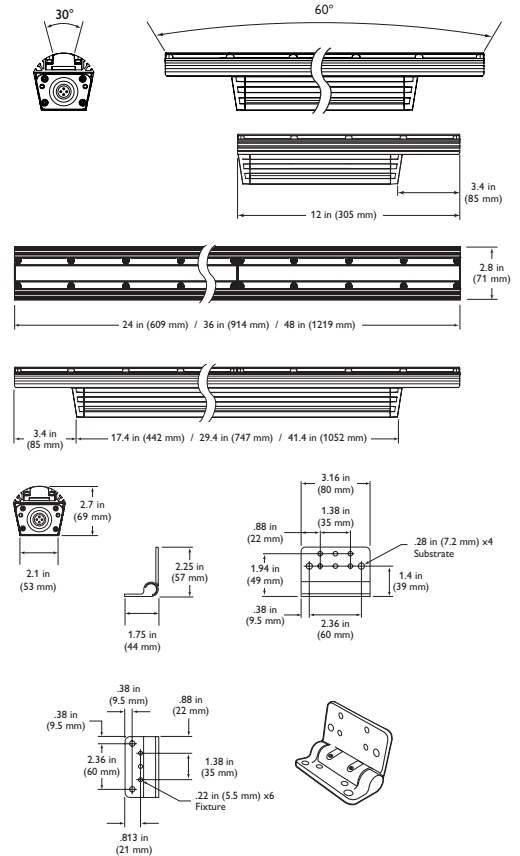
iW Graze Powercore

30° x 60° beam angle

Linear exterior LED wall grazing fixture with intelligent white light

iW Graze Powercore linear LED fixtures are optimized for surface grazing, wash lighting, and efficient signage illumination. iW Graze Powercore fixtures combine channels of cool and warm white LEDs to offer color temperatures ranging from 2700 K – 6500 K. With the operational efficiency and cost-effectiveness of Powercore technology, and a low-profile multi-positional housing, iW Graze Powercore offers both superior performance and simple installation.

- Integrates patented Powercore technology — Powercore technology rapidly, efficiently, and accurately controls power output to iW Graze Powercore fixtures directly from line voltage. The Philips Color Kinetics Data Enabler Pro merges line voltage and control data and delivers them to the fixture over a single standard cable, dramatically simplifying installation and lowering total system cost.
- Tailor light output to specific applications — Available in 1 ft (305 mm), 2 ft (610 mm), 3 ft (914 mm), and 4 ft (1219 mm) lengths, with 10° x 60° and 30° x 60° beam angle options. Superior beam quality offers uniform beam saturation as close as 6 in (152 mm), and a wide horizontal beam angle allows a range of fixture spacing options.
- Versatile installation options — Constant-torque locking hinges offer simple and consistent position control from various angles. The space-efficient, low-profile aluminum housing accommodates placement within most architectural niches.
- Industry-leading controls — iW Graze Powercore works seamlessly with the complete line of Philips Color Kinetics controllers, including Light System Manager, iPlayer 3, and ColorDial Pro, as well as third-party controllers.
- Universal power input range — iW Graze Powercore accepts power input of 100 to 240 VAC, allowing consistent installation in any location around the world. A single Data



Enabler Pro can support long runs of iW Graze Powercore fixtures.

- Outdoor rated — With an extruded, anodized aluminum housing fully sealed for maximum fixture life and IP66-rated for outdoor applications, iW Graze Powercore is ideal for use in damp or wet locations.

For detailed product information, please refer to the iW Blast Powercore Product Guide at www.philipscolorkinetics.com/ls/intelliwhite/iwgrazepc/



Specifications

Due to continuous improvements and innovations, specifications may change without notice.

Item	Specification	1 ft (305 mm)	2 ft (610 mm)	3 ft (914 mm)	4 ft (1219 mm)
Output	Color Temperature*	2700 K – 6500 K			
	Lumens†	511 (1 ft length)			
	Efficacy (lm / W)	22.4 (1 ft length)			
	Lumen Maintenance‡	50,000 hours L50 @ 25° C (typical application)			
Electrical	Input Voltage	100 – 240 VAC, auto-switching, 50 / 60 Hz			
	Power Consumption <i>max. at full output, steady state</i>	17.5 W	35 W	52.5 W	70 W
Control	Interface	Data Enabler Pro (DMX / Ethernet) Fixture firmware addressable 8- or 16-bit control			
Physical	Dimensions (Height x Width x Depth)	2.7 x 12 x 2.8 in (69 x 305 x 71 mm)	2.7 x 24 x 2.8 in (69 x 610 x 71 mm)	2.7 x 36 x 2.8 in (69 x 914 x 71 mm)	2.7 x 48 x 2.8 in (69 x 1219 x 71 mm)
	Weight	1.99 lb (0.9 kg)	4.9 lb (2.2 kg)	8.1 lb (3.6 kg)	10.8 lb (4.9 kg)
	Housing	Extruded anodized aluminum			
	Lens	Clear polycarbonate with holographic film diffuser			
	Fixture Connectors	Integral male / female waterproof connectors			
	Mounting	Multi-positional, constant torque locking hinges			
	Temperature Ranges	-40° – 122° F (-40° – 50° C) Operating -4° – 122° F (-20° – 50° C) Startup -40° – 176° F (-40° – 80° C) Storage			
	Humidity	0 – 95%, non-condensing			
Certification and Safety	Certification	UL / cUL, FCC Class A, CE, C-Tick			
	Environment	Dry / Damp / Wet Location, IP66			

* Color temperatures conform to nominal CCTs as defined in ANSI Chromaticity Standard C78.377A.

† Lumen measurement complies with IES LM-79-08 testing procedures.

‡ L50 = 50% lumen maintenance (when light output drops below 50% of initial output). Ambient luminaire temperatures specified.

Lumen maintenance calculations are based on lifetime prediction graphs supplied by LED source manufacturers. Calculations for white-light LED fixtures are based on measurements that comply with IES LM-80-08 testing procedures. Refer to www.philipscolorkinetics.com/support/appnotes/lm-80-08.pdf for more information.



Fixtures and Accessories

Use Item Number when ordering in North America.

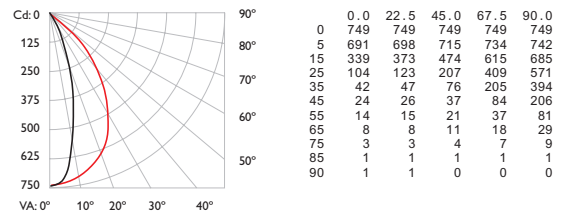
Item	Type	Item Number	Philips 12NC
iW Graze Powercore	10° x 60° beam angle	1 ft (305 mm)	523-000053-04 910503700956
		2 ft (610 mm)	523-000053-05 910503700957
		3 ft (914 mm)	523-000053-06 910503700958
		4 ft (1219 mm)	523-000053-07 910503700959
Leader Cable	UL / cUL	50 ft (15.2 m)	108-000042-00 910503700322
	CE	108-000042-01	910503700323
Jumper Cable	UL / cUL	End-to-end	108-000039-00 910503700314
		1 ft (305 mm)	108-000039-01 910503700315
		5 ft (1.5 m)	108-000039-02 910503700316
	CE	End-to-end	108-000040-00 910503700317
		1 ft (305 mm)	108-000040-01 910503700318
		5 ft (1.5 m)	108-000040-02 910503700319
Glare Shield		1 ft (305 mm)	120-000081-00 910503700745
		2 ft (610 mm)	120-000081-01 910503700746
		3 ft (914 mm)	120-000081-02 910503700747
		4 ft (1.2 m)	120-000081-03 910503700748
Additional Terminators	Quantity 10	120-000074-00	910503700580
Additional Hinge	Quantity 1	120-000098-00	910503700772
Data Enabler Pro	3/4 in / 1/2 in NPT (U.S. trade size conduit)	106-000004-00	910503701210
	PG21 / PG13 (metric size conduit)	106-000004-01	910503701211

CHROMACORE[®] | OPTIBIN[®] | POWERCORE[®]
CKTECHNOLOGY CKTECHNOLOGY CKTECHNOLOGY

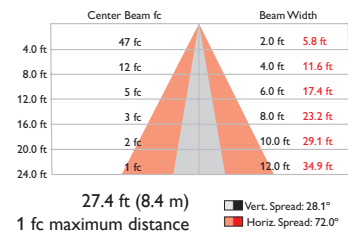
Photometrics

1 ft (305 mm) length, 30° x 60° beam angle

Polar Candela Distribution



Illuminance at Distance



Lumens	511
Efficacy	22.4 lm / W

For lux multiply fc by 10.7



Philips Color Kinetics
3 Burlington Woods Drive
Burlington, Massachusetts 01803 USA
Tel 888.385.5742
Tel 617.423.9999
Fax 617.423.9998
www.philipscolorkinetics.com

Copyright © 2010 – 2012 Philips Solid-State Lighting Solutions, Inc. All rights reserved.
Chromacore, Chromatic, CK, the CK logo, Color Kinetics, the Color Kinetics logo, ColorBlast, ColorBlaze, ColorBurst, ColorGraze, ColorPlay, ColorReach, iW Reach, eW Reach, eW Fuse, DIMand, EssentialWhite, eW, iColor, iColor Cove, IntelliWhite, iW, iPlayer, Optibin, and Powercore are either registered trademarks or trademarks of Philips Solid-State Lighting Solutions, Inc. in the United States and / or other countries. All other brand or product names are trademarks or registered trademarks of their respective owners. Due to continuous improvements and innovations, specifications may change without notice.

DAS-000026-02 R03 07-12