

## iW PDS-150

An IntelliWhite Product™



iW PDS-150 is an intelligent power/data supply designed for use with select IntelliWhite™ color temperature controllable fixtures. iW PDS-150's data drivers condition data supplied from Ethernet or DMX512 controllers, including Color Kinetics full line of controllers, to a format compatible with the fixtures. When used in conjunction with IntelliWhite controllers, varying color temperature and brightness control can be achieved at the push of a button.

iW PDS-150 provides a robust 150W power source and intelligent white light data drive circuitry that provides up to 15 zones settings. This data circuitry conditions data supplied from Color Kinetics IntelliWhite controllers, including iW Scene Controller, to a format compatible with the fixtures. This integration of power and data simplifies wiring installation.

iW PDS-150 features a built-in ventilation fan in addition to an automatic over-temperature shut-off to protect it from damage due to overheating. The data drive circuitry has been specifically designed with short circuit protection to prevent failures due to incorrect wiring/installation. iW PDS-150 also features diagnostic LEDs to aid troubleshooting of Color Kinetics systems.

iW PDS-150 automatically accommodates supply voltages ranging from 100VAC to 240VAC, which must be hard-wired to the supply. Light fixtures are hard-wired to screw terminal connectors for easy fixture disconnection and reconnection to output terminals. RJ45 data input and output connectors let you daisy-chain data from one power/data supply to another.

The entire package is housed in a NEMA-style enclosure with 14 pre-formed knockout holes sized for standard conduit connectors, which comply with National Electrical Code (NEC) requirements. iW PDS-150 is rated for indoor use only. For outdoor installations, a NEMA 4 (IP66) outdoor rated enclosure must be used.

### iW PDS-150 SPECIFICATIONS



ITEM# 509-000001-00

For use under one or more of the following patents: U.S. Patent Nos. 6,016,038, 6,150,774 and other patents listed at <http://colorkinetics.com/patents/>. Other patents pending.

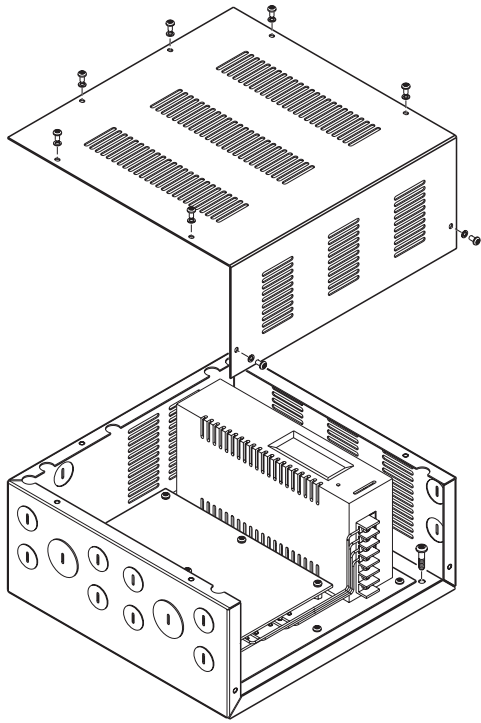
©2004-2006 Color Kinetics Incorporated. All rights reserved. Chromacore, Chromasic, CK, the CK logo, Color Kinetics, the Color Kinetics logo, Color Kinetics The Leader in Intelligent Light, ColorBlast, ColorBlaze, ColorBurst, ColorCast, ColorPlay, ColorScape, DiMand, Direct Light, EssentialWhite, eW, iColor, iColor Cove, IntelliWhite, iW, iPlayer, Light Without Limits, Optibin, Powercore, QuickPlay, Sauce, the Sauce logo, and Smartjuice are either registered trademarks or trademarks of Color Kinetics Incorporated in the United States and/or other countries.

All other brand or product names are trademarks or registered trademarks of their respective owners.

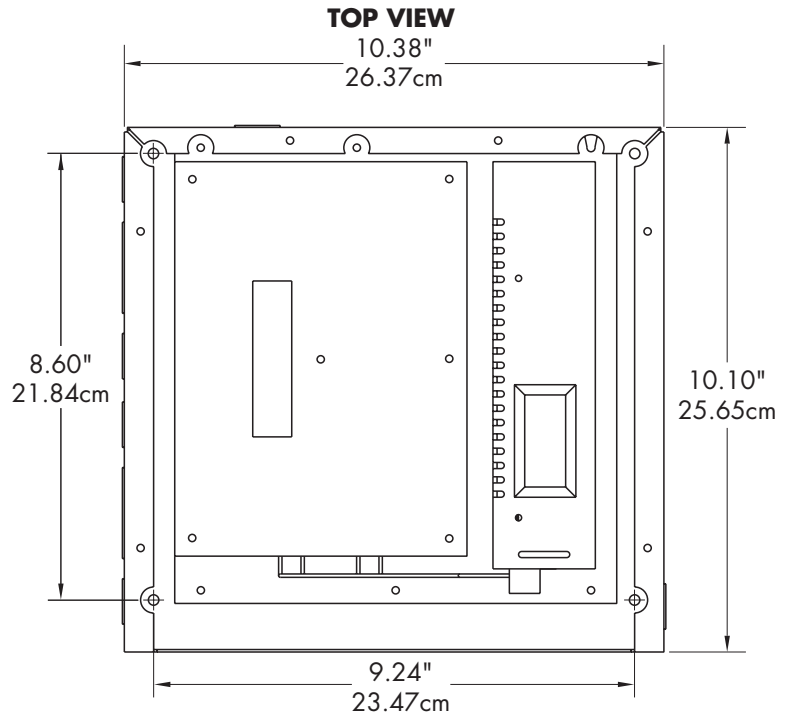
BR0150 Rev 01

Specifications subject to change without notice. Refer to [www.colorkinetics.com](http://www.colorkinetics.com) for the most recent version.

<b>POWER INPUT</b>	100VAC to 240VAC auto ranging (50Hz–60Hz) Power factor correction (PFC) 2.8A (115V)/1.4A (230V)
<b>POWER OUTPUT</b>	24VDC (150W Max.)
<b>HEAT DISSIPATION</b>	25 percent of total power output
<b>AMBIENT OPERATING TEMP</b>	14°F to 122°F (-10°C to 50°C)
<b>HOUSING</b>	NEMA-style indoor rated enclosure; housing dimensions: 10.38" (26.37 cm) x 10.10" (25.65 cm) x 4.38" (11.13 cm)
<b>CONNECTORS</b>	Data: 4-pin input and RJ45 data I/O Power: Screw terminal output connectors
<b>DATA INTERFACE</b>	Color Kinetics IntelliWhite controllers
<b>CLASSIFICATION</b>	Class 2 power supply
<b>LISTINGS</b>	UL/CUL, CE

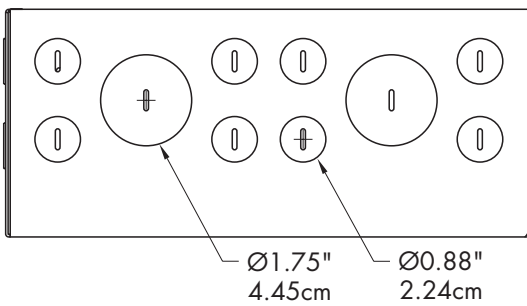


**NOTE:** Requires 4 inches open space on all vented sides

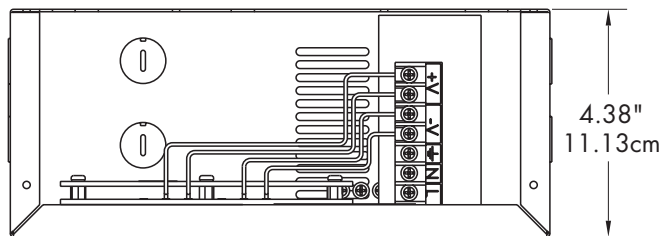


(SHOWN WITHOUT COVER)

**SIDE VIEW**

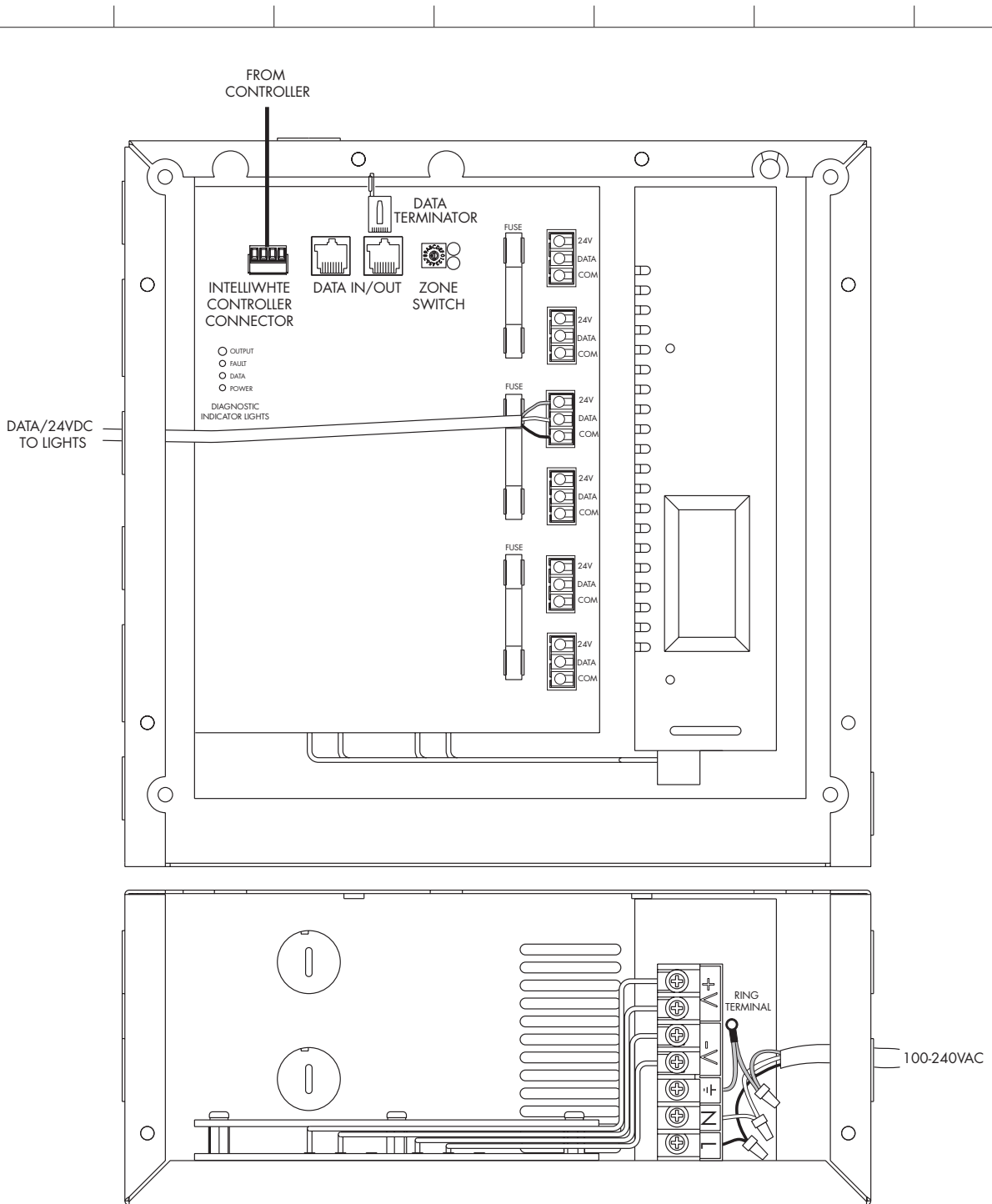


**FRONT VIEW**

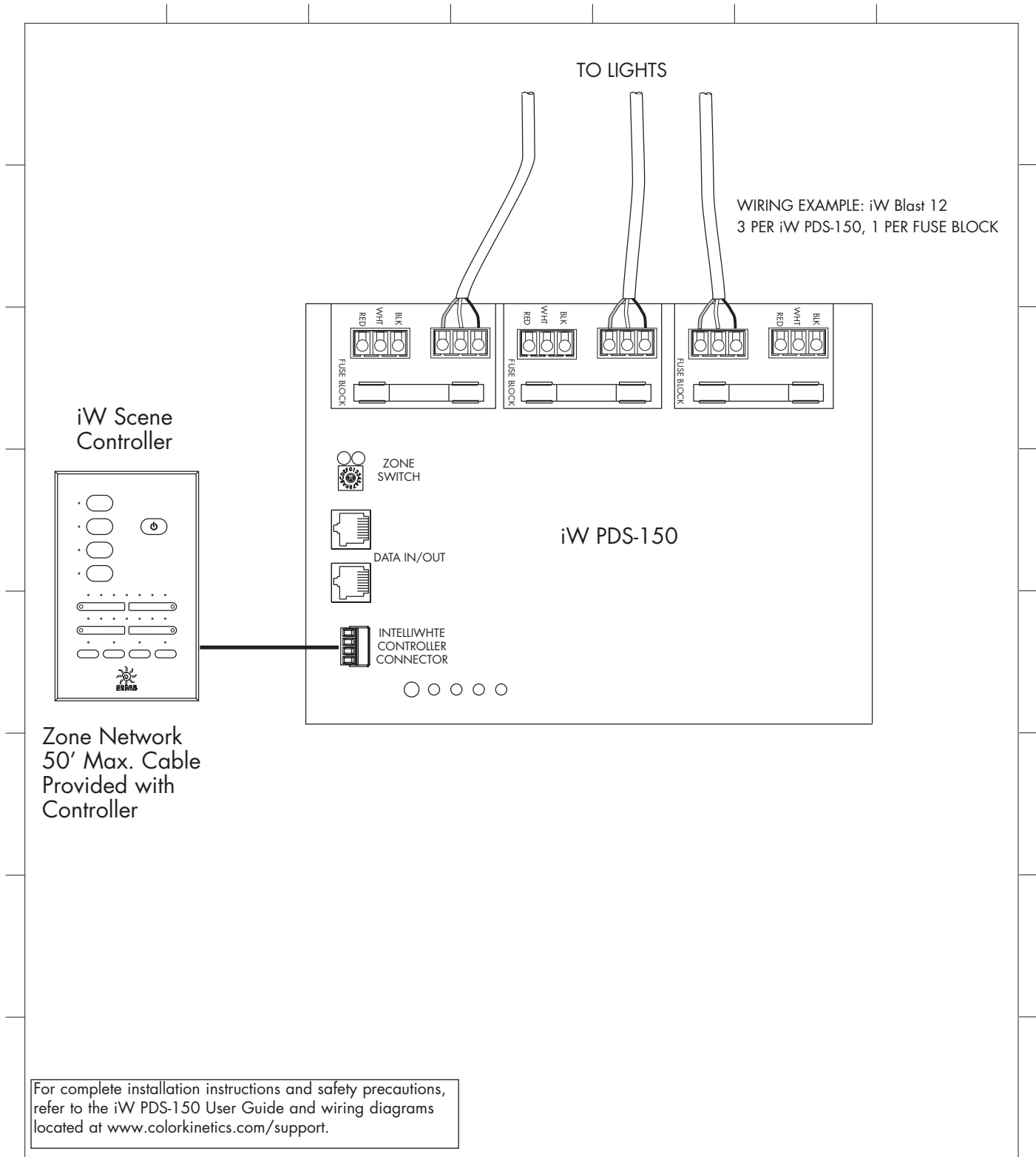


iW PDS-150 ITEM # 509-000001-00	
<b>DATA CONNECTOR</b>	Input and output via RJ45 or screw terminals
<b>OUTPUT CONNECTOR</b>	Screw terminals
<b>SUPPLY CONNECTOR</b>	Flying leads
<b>WEIGHT</b>	8 lb. (3.6 kg)

FUNCTIONAL FLOW DIAGRAM



For complete installation instructions and safety precautions, refer to the iW PDS-150 User Guide and wiring diagrams located at [www.colorkinetics.com/support](http://www.colorkinetics.com/support).



For complete installation instructions and safety precautions, refer to the iW PDS-150 User Guide and wiring diagrams located at [www.colorkinetics.com/support](http://www.colorkinetics.com/support).