



Date: _____ Type: _____

Firm Name: _____

Project: _____

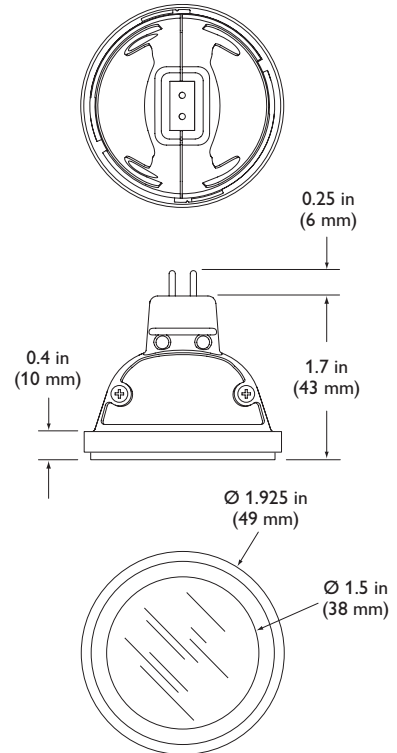
iColor MR gen3

90° beam angle

Intelligent RGB MR16 LED lamp for intense, saturated bursts of color

iColor MR gen3 is an intelligent color-changing lamp that delivers intense, saturated bursts of color and color-changing effects. The stylish housing fits into most standard MR16 fixtures, including tracks, cables, rails, and pendants. With high-intensity LED light sources and three beam angles, iColor MR gen3 is suitable for a wide-range of architectural, theatrical, and retail applications.

- Compatible with most MR16 fixtures and sockets — With its standard GU5.3 base and two-pin MR16 connector, iColor MR gen3 is compatible with most MR16 tracks, rails, cables, and pendant fixtures.
- Standard wiring and simple installation — iColor MR gen3 lamps work with standard 2-conductor jacketed cable or hook-up wire. Power / data supplies specifically designed for use with iColor MR gen3 multiplex power and data onto a two-wire circuit for use with conventional MR16 fixtures and sockets.
- Three beam angles — Use the 17° lamp when you need a spot of light with sharply defined edges, the 30° lamps for a wider spread of light, and the 90° (no optic) lamp for a soft, diffuse light.
- Efficient and cost-effective — iColor MR gen3 is easily adaptable to a wide range of interior environments where MR16 fixtures are commonly used. With long useful source life, low power draw of just 5 W, and low-maintenance operation, iColor MR gen3 lamps cost significantly less to own and operate than conventional MR16 lamps.
- Industry-leading controls — Works seamlessly with the complete Philips Color Kinetics line of controllers, including Light System Manager, iPlayer 3, and ColorDial Pro, as well as third-party controllers.



For detailed product information, please refer to the iColor MR gen3 Product Guide at www.colorkinetics.com/ls/rgb/icolormr/gen3/

PHILIPS

Specifications

Due to continuous improvements and innovations, specifications may change without notice

Item	Specification	Details
Output	Lumens*	87
	LED Channels	Red / Green / Blue
	Lumen Maintenance†	100,000 hours L70 @ 40° C 100,000 hours L70 @ 25° C 100,000 hours L50 @ 40° C 100,000 hours L50 @ 25° C
Electrical	Input Voltage	24VDC from PDS-70mr
	Power Consumption	5 W maximum at full output, steady state
Control	Interface	PDS-70mr 24V (DMX / Ethernet)
	Control System	Philips Color Kinetics full range of controllers, including Light System Manager, iPlayer 3, and ColorDial Pro, or third-party controllers
Physical	Dimensions (Height x Width x Depth)	1.9 x 1.9 x 1.9 in (49 x 49 x 49 mm)
	Weight	2.9 oz (84 g)
	Housing	Die-cast zinc, silver finish
	Lens	Tempered glass
	Fixture Connections	Standard 2-pin MR16 connector
	Temperature Ranges	-4° – 104° F (-20° – 40° C) Operating -4° – 104° F (-20° – 40° C) Startup -40° – 176° F (-40° – 80° C) Storage
	Humidity	0 – 95%, non-condensing
	Maximum Fixture Run	14 maximum per PDS-70mr Maximum cable length 50 ft (15 m)
Certification and Safety	Certifications	UL / cUL, FCC Class A, CE
	Environment	Dry Location, IP20

* Lumen measurement complies with IES LM-79-08 testing procedures.

† L70 = 70% lumen maintenance (when light output drops below 70% of initial output).

L50 = 50% lumen maintenance (when light output drops below 50% of initial output). Ambient luminaire temperatures specified. Lumen maintenance calculations are based on lifetime prediction graphs supplied by LED source manufacturers. Calculations for white-light LED fixtures are based on measurements that comply with IES LM-80-08 testing procedures. Refer to www.philipscolorkinetics.com/support/appnotes/lm-80-08.pdf for more information.



CHROMACORE[®] | OPTIBIN[®] | SMARTJUICE[®]
CKTECHNOLOGY | CKTECHNOLOGY | CKTECHNOLOGY

Fixtures and Accessories

Item	Type	Item Number	Philips 12NC
iColor MR gen3	17° beam angle	101-000074-00	910503704252
	30° beam angle	101-000074-01	910503704288
	90° beam angle	101-000074-02	910503704289
PDS-70mr 24V Power / Data Supply	Pre-programmed	109-000018-00	910503700098
	DMX	109-000018-01	910503700099
	Ethernet	109-000018-02	910503700583

Use Item Number when ordering in North America.

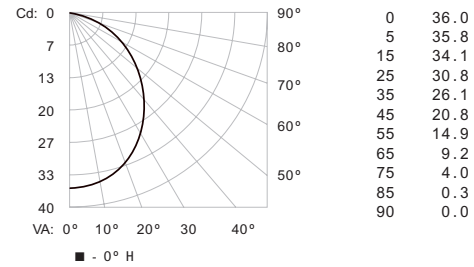


Philips Color Kinetics
3 Burlington Woods Drive
Burlington, Massachusetts 01803 USA
Tel 888.385.5742
Tel 617.423.9999
Fax 617.423.9998
www.colorkinetics.com

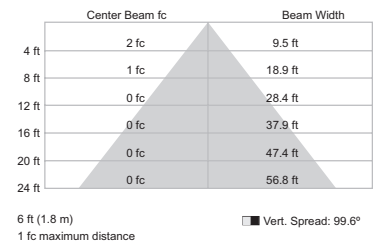
Photometrics

iColor MR gen3, 90° beam angle

Polar Candela Distribution



Illuminance at Distance



LED	Lumens	Efficacy
RGB	87	6.6

For lux multiply fc by 10.7

Copyright © 2013 Philips Solid-State Lighting Solutions, Inc. All rights reserved.
Chromacore, Chromasic, CK, the CK logo, Color Kinetics, the Color Kinetics logo, ColorBlast, ColorBlaze, ColorBurst, ColorGraze, ColorPlay, ColorReach, iV, iV Reach, eW Reach, DIMand, EssentialWhite, eV, iColor, iColor Cove, IntelliWhite, iV, iPlayer, Optibin, and Powercore are either registered trademarks or trademarks of Philips Solid-State Lighting Solutions, Inc. in the United States and / or other countries. All other brand or product names are trademarks or registered trademarks of their respective owners. Due to continuous improvements and innovations, specifications may change without notice.

DAS-000113-03 R00 04-13