

Date: _____ Type: _____

Firm Name: _____

Project: _____

iColor Flex MX gen2

Flexible strands of large high-intensity LED nodes with intelligent color light

iColor Flex MX gen2 are flexible strands of 50 large, individually addressable, full-color LED nodes designed for extraordinary effects and expansive installations. The flexible form factor accommodates two- and three-dimensional configurations, while high light output affords superior long-distance viewing for architectural perimeter lighting, large-scale signage, and building-covering video displays.

- Daylight visible — Each node produces full-color light output of up to 2.3 candela and 17,000 nits.
- Multiple lens options — Standard clear dome and translucent dome lenses. Optional clear flat and translucent flat lenses available.

- Adaptable mounting — Strands can be mounted directly to a surface. Optional mounting tracks ensure straight linear runs. Snap-on spacers hide cabling and mounting hardware between nodes for a clean, finished look. Single node mounts provide anchor points for installations with uneven node spacing or complex geometries.
- Outdoor rated — Fully sealed for maximum fixture life and IP66-rated for outdoor applications.

For detailed product information, please refer to the iColor Flex MX gen2 Product Guide at www.philipscolorkinetics.com/ls/rgb/flexmx/

Specifications Due to continuous improvements and innovations, specifications may change without notice.

Item	Specification	Clear Dome Lens	Translucent Dome Lens
Output	Lumens Per Node*	6	4
	On-Axis Candela Per Node	2.3	1.0
	Luminance Per Node	17,543 cd / m ²	5819 cd / m ²
	Viewing Angle	105°	165°
	Lumen Maintenance†	60,000 hours L70 @ 50° C 60,000 hours L70 @ 25° C	60,000 hours L50 @ 50° C 60,000 hours L50 @ 25° C
Electrical	LED Channels	Red / Green / Blue	
	Input Voltage	7.5 VDC via sPDS-480ca, and PDS-60ca	
Control	Power Consumption	.5W max. per node at full output, steady state	
	Interface	sPDS-480ca 7.5V (Ethernet) PDS-60ca 7.5V (Pre-programmed or DMX / Ethernet)	
Physical	Control System	Philips full range of controllers, including Video System Manager Pro, Light System Manager, and iPlayer 3, or third-party controllers	
	Node Dimensions <i>Height x Width x Depth</i>	19 mm x 16 mm x 16 mm (.75 in x .63 in x .63 in)	19 mm x 16 mm x 16 mm (.75 in x .63 in x .63 in)
	Weight	381 g (13.4 oz) 50-node strand, 4 in on-center node spacing	
	Housing	White or black polycarbonate	
	Lens	Clear or translucent plastic	
	Fixture Connections	Integrated watertight 3-pin connector	
	Temperature Ranges	-40° – 50° C (-40° – 122° F) Operating ≥ 0° C (≥ 32° F) Handling -20° – 50° C (-4° – 122° F) Startup -30° – 85° C (-22° – 185° F) Storage	
	Humidity	0 – 95%, non-condensing	
	Maximum Fixtures Per Power / Data Supply	sPDS-480ca 7.5V: 16 strands sPDS-60ca 7.5V: 2 strands	
Certification and Safety	Certification	UL / cUL, FCC Class A, CE	
	Environment	Dry / Damp / Wet Location, IP66	

* Lumen measurement complies with IES LM-79-08 testing procedures.

† L70 = 70% lumen maintenance (when light output drops below 70% of initial output). L50 = 50% lumen maintenance (when light output drops below 50% of initial output). Ambient luminaire temperatures specified. Lumen maintenance calculations are based on lifetime prediction graphs supplied by LED source manufacturers. Calculations for white-light LED fixtures are based on measurements that comply with IES LM-80-08 testing procedures. Refer to www.philipscolorkinetics.com/support/appnotes/lm-80-08.pdf for more information.



Fixtures and Power / Data Supplies

Item	Type		Item Number	Philips 12NC
iColor Flex MX gen2 4 in on-center node spacing	Clear Dome Lens	White	101-000076-04	912400130018
		Black	101-000076-06	912400130020
	Translucent Dome Lens	White	101-000076-00	910503705490
		Black	101-000076-02	912400130016
iColor Flex MX gen2 12 in on-center node spacing	Clear Dome Lens	White	101-000076-05	912400130019
		Black	101-000076-07	912400130021
	Translucent Dome Lens	White	101-000076-01	912400130015
		Black	101-000076-03	912400130017
Leader Cable	7.6 m (25 ft)	Black	108-000045-00	910503700696
	15.2 m (50 ft)	Black	108-000045-01	910503700697
	30.5 m (100 ft)	Black	108-000045-02	910503700698
PDS-60ca 7.5V	Pre-programmed		109-000015-00	910503700093
	DMX / Ethernet		109-000015-03	910503700094
sPDS-480ca 7.5V	Ethernet		109-000022-00	910503700107

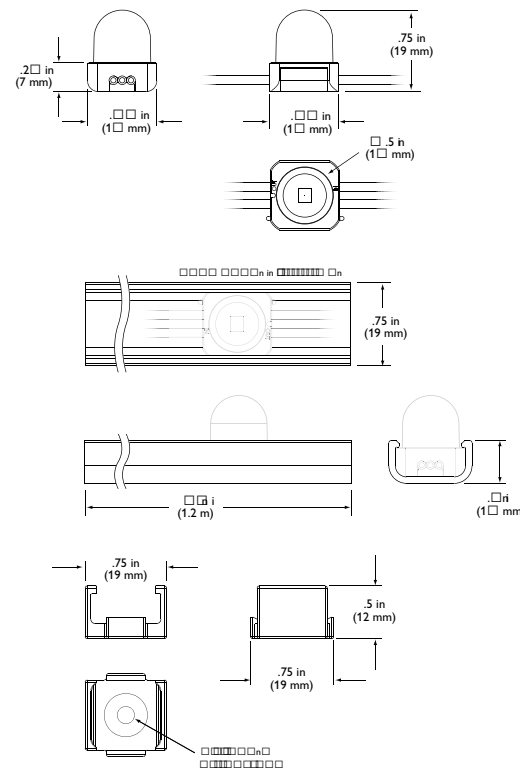
Use Item Number when ordering in North America.

Accessories

Item	Type		Item Number	Philips 12NC
Mounting Track Qty 1	1.2 m (4 ft)	White	101-000024-00	910503700015
		Black	101-000024-01	910503700016
Spacers Qty 50	102 mm (4 in)	White	101-000047-00	910503700030
		Black	101-000047-01	910503700031
	305 mm (12 in)	White	101-000048-00	910503700032
		Black	101-000048-01	910503700033
Single-Node Mounts Qty 50		White	101-000039-00	910503700025
		Black	101-000039-01	910503700026

Use Item Number when ordering in North America.

Dimensions



Philips Color Kinetics
 3 Burlington Woods Drive
 Burlington, Massachusetts 01803 USA
 Tel 888.385.5742
 Tel 617.423.9999
 Fax 617.423.9998
 www.philipscolorkinetics.com

Copyright © 2010 – 2014 Philips Solid-State Lighting Solutions, Inc. All rights reserved.
 Chromacore, Chromasic, CK, the CK logo, Color Kinetics, the Color Kinetics logo, ColorBlast,
 ColorBlaze, ColorBurst, eW Fuse, ColorGraze, ColorPlay, ColorReach, iW Reach, eW Reach,
 DIMand, EssentialWhite, eW, iColor, iColor Cove, IntelliWhite, iV, iPlayer, Optibin, and Powercore
 are either registered trademarks or trademarks of Philips Solid-State Lighting Solutions, Inc. in
 the United States and / or other countries. All other brand or product names are trademarks
 or registered trademarks of their respective owners. Due to continuous improvements and
 innovations, specifications may change without notice. DAS-000049-01 R09 11-14