



Date: _____ Type: _____

Firm Name: _____

Project: _____

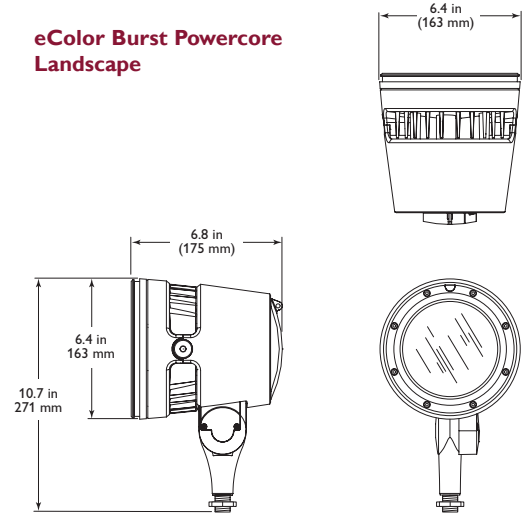
eColor Burst Powercore

Architectural and landscape LED spotlight with solid color light

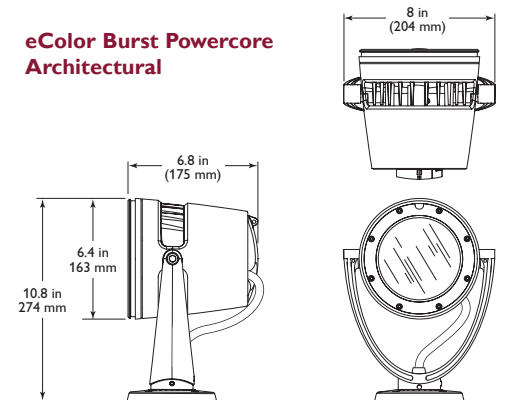
eColor Burst Powercore is a high-output, exterior-rated LED lighting fixture designed for accent and site lighting. Architectural and Landscape versions deliver high-quality light output in red, green, blue, and amber to support a range of uplighting, floodlighting, and decorative lighting applications.

- Integrates patented Powercore technology — Powercore rapidly, efficiently, and accurately controls power output to fixtures directly from line voltage, eliminating the need for an external power supply. Contractor-friendly installation dramatically simplifies installation and lowers total system cost.
- Flexible mounting in architectural applications — Architectural fixtures feature an integrated yoke with canopy base for mounting to standard US junction boxes or directly to a flat surface or substrate as local codes permit.
- Support for a wide range of landscape applications — Landscape fixtures feature a 1/2 in NPT threaded post for mounting to standard junction boxes and third-party accessories such as stanchion mounts, posts, and stakes for use in softscape and hardscape applications.
- Exchangeable optics and accessories — Available 14°, 23°, 41°, and asymmetric 10° x 41° spread lenses project a soft-edge beam to support a wide range of lighting applications. Native 8° beam angle offers extended light projection. Available glare shields block spill light, and honeycomb louvers limit the spread of light for a more focused and intense beam.
- Versatile light positioning — Fixtures can tilt through a full 180°. Architectural fixtures can also rotate through a full 360° for precise aiming. Locking screws accept standard hex wrenches to secure fixtures firmly in position.
- Universal power input range — Accepts a universal power input range of 100 – 277 VAC, allowing the installation of multiple units in a continuous run.
- Dimming capability — Patented DIMand technology offers smooth dimming capability with selected commercially available reverse-phase ELV-type dimmers.

eColor Burst Powercore Landscape



eColor Burst Powercore Architectural



- Outdoor rated — With a rugged, die-cast aluminum housing fully sealed for maximum fixture life and IP66-rated for outdoor applications, eColor Burst Powercore is ideal for use in damp or wet locations.

For detailed product information, please refer to the eColor Burst Powercore Product Guide at www.philipscolorkinetics.com/ls/essentialcolor/ecolorburstpc/

Specifications

Due to continuous improvements and innovations, specifications may change without notice.

Item	Specification	Details
Output	Beam Angle	8° native
		14° / 23° / 41° spread lenses
		10° x 41° asymmetric spread lens
Electrical	Input Voltage	100 – 277 VAC, auto-switching, 50 / 60 Hz
	Power Consumption	30 W maximum at full output, steady state
Control	Dimming	Compatible with selected commercially available reverse-phase ELV-type dimmers*
Physical	Dimensions (Height x Width x Depth)	10.8 x 8.0 x 6.8 in (274 x 204 x 175 mm) Architectural
		10.7 x 6.4 x 6.8 in (271 x 163 x 175 mm) Landscape
		Weight
	Housing	Die-cast aluminium, powder-coated finish
	Lens	Tempered glass
	Fixture Connections	6 ft (1.8 m) unified power / data cable with flying leads Architectural
		6 in (152 mm) flying leads Landscape
	Temperature Ranges	-40° – 122° F (-40° – 50° C) Operating -4° – 122° F (-20° – 50° C) Startup -40° – 176° F (-40° – 80° C) Storage
	Vibration Resistance	ANSI C136.31 (Architectural only)
Humidity	0 – 95%, non-condensing	
Certification and Safety	Certification	UL / cUL, FCC Class A, CE, C-Tick, CQC, SAA
	Environment	Dry / Damp / Wet Location, IP66

* Refer to www.colorkinetics.com/support/appnotes/ for specific details.



Accessories

Item	Type	Item Number	Philips 12NC
Trim Ring	Gray	120-000103-00	910503701212
	Black	120-000103-03	910503701420
	White	120-000103-06	910503701734
45° Glare Shield	Gray	120-000103-01	910503701213
	Black	120-000103-04	910503701421
Full Height Glare Shield	White	120-000103-07	910503701735
	Gray	120-000103-02	910503701214
	Black	120-000103-05	910503701422
Honeycomb Louver	White	120-000103-08	910503701736
	Black	120-000104-00	910503701215
	14°	120-000080-00	910503700609
Spread Lenses	23°	120-000080-01	910503700610
	41°	120-000080-02	910503700611
	10° x 41° asymmetric	120-000080-03	910503700612

Use Item Number when ordering in North America.

DIMAND™ | **OPTIBIN**™ | **POWERCORE**™
CK TECHNOLOGY | CK TECHNOLOGY | CK TECHNOLOGY

* For help estimating the light output and distribution of eColor lighting fixtures, please contact Philips Color Kinetics Applications Engineering Services at support@colorkinetics.com.

eColor Burst Powercore Fixtures

		Gray Housing		Black Housing		White Housing	
		Item Number	Philips 12NC	Item Number	Philips 12NC	Item Number	Philips 12NC
eColor Burst Powercore Architectural (UL / cUL)	Red	223-000007-06	910503701768	223-000008-06	910503702025	223-000009-06	910503702037
	Green	223-000007-05	910503701769	223-000008-05	910503702024	223-000009-05	910503702036
	Blue	223-000007-04	910503701767	223-000008-04	910503702023	223-000009-04	910503702035
	Amber	223-000007-07	910503701770	223-000008-07	910503702026	223-000009-07	910503702038
eColor Burst Powercore Architectural (CE)	Red	223-000007-10	910503701773	223-000008-10	910503702029	223-000009-10	910503702041
	Green	223-000007-09	910503701772	223-000008-09	910503702028	223-000009-09	910503702040
	Blue	223-000007-08	910503701771	223-000008-08	910503702027	223-000009-08	910503702039
	Amber	223-000007-11	910503701774	223-000008-11	910503702030	223-000009-11	910503702042
eColor Burst Powercore Architectural (CCC)	Red	223-000007-14	910503702075	223-000008-14	910503702079	223-000009-14	910503702083
	Green	223-000007-13	910503702074	223-000008-13	910503702078	223-000009-13	910503702082
	Blue	223-000007-12	910503702073	223-000008-12	910503702077	223-000009-12	910503702081
	Amber	223-000007-15	910503702076	223-000008-15	910503702080	223-000009-15	910503702084
eColor Burst Powercore Landscape (UL / cUL / CE)	Red	223-000007-02	910503701765	223-000008-02	910503702021	223-000009-02	910503702033
	Green	223-000007-01	910503701764	223-000008-01	910503702020	223-000009-01	910503702032
	Blue	223-000007-00	910503701763	223-000008-00	910503702019	223-000009-00	910503702031
	Amber	223-000007-03	910503701766	223-000008-03	910503702022	223-000009-03	910503702034

Use Item Number when ordering in North America.



Philips Color Kinetics
3 Burlington Woods Drive
Burlington, Massachusetts 01803 USA
Tel 888.385.5742
Tel 617.423.9999
Fax 617.423.9998
www.philipscolorkinetics.com

Copyright © 2011 - 2012 Philips Solid-State Lighting Solutions, Inc. All rights reserved. Chromacore, Chromasic, CK, the CK logo, Color Kinetics, the Color Kinetics logo, ColorBlast, ColorBlaze, ColorBurst, ColorGraze, ColorPlay, ColorReach, iW Reach, eW Reach, eW Fuse, DIMand, EssentialWhite, eV, iColor, iColor Cove, IntelliWhite, iW, iPlayer, Optibin, and Powercore are either registered trademarks or trademarks of Philips Solid-State Lighting Solutions, Inc. in the United States and / or other countries. All other brand or product names are trademarks or registered trademarks of their respective owners. Due to continuous improvements and innovations, specifications may change without notice.

DAS-000097-01 R02 07-12