

## PDS-60ca 24V



### FEATURES

- Economical
- Compact size
- Ease of installation
- Ethernet/DMX ready
- Robust 62W power source
- Wet/damp NEMA 4 housing
- Choice of intelligent data drivers



**ITEM# 109-000016-00 (Preprogrammed)**  
**109-000016-01 (DMX)**  
**109-000016-02 (Ethernet)**

This product is protected by one or more of the following patents:  
 U.S. Patent Nos. 6,016,038, 6,150,774 and other patents listed at  
<http://colorkinetics.com/patents/>. Other patents pending.

©2003-2005 Color Kinetics Incorporated. All rights reserved.  
 Chromacore, Chromasic, Color Kinetics, the Color Kinetics  
 logo, ColorBlast, ColorBlaze, ColorBurst, ColorCast, ColorPlay,  
 ColorScape, Direct Light, iColor, iColor Cove, iPlayer, Optibin,  
 QuickPlay, Sauce, the Sauce logo, and Smartjuice are registered  
 trademarks and DIMand, IntelliWhite, Powercore, Video With  
 Light, and Light Without Limits are trademarks of Color Kinetics  
 Incorporated.

BR0129 Rev 05

Specifications subject to change without notice.

Color Kinetics® PDS-60ca 24V intelligent, indoor/outdoor, power/data supply is specifically designed for Color Kinetics 24 volt Chromasic™ fixtures. PDS-60ca 24V provides a robust 62W power source and a choice of intelligent data drivers. The available data drivers condition data supplied from Ethernet or DMX512 controllers, including Color Kinetics full line of controllers, to a format compatible with the fixtures. PDS-60ca 24V is also available with a preprogrammed effects module. The integration of power and data simplifies wiring installation, and the selection of control configurations expands the versatility of the applications.

**PDS-60ca 24V WITH ETHERNET** interface is designed to work with Color Kinetics Light System Manager and is ideal for large installations.

**PDS-60ca 24V WITH DMX** interface is used for installations using a DMX controller such as iPlayer 2, ColorDial, or a third party DMX controller.

**PDS-60ca 24V WITH PREPROGRAMMED** interface is best suited for installations using simple effects across all light nodes. The preprogrammed shows are: Chasing Rainbow, Fixed Color, Color Wash, Random Fade, White.

PDS-60ca 24V is housed in a compact NEMA 4 (IP66) enclosure designed for use in wet locations and complies with National Electrical Code (NEC) requirements. Each PDS-60ca 24V features multiple conduit entries sized for 1/2- and 3/4-inch trade sized conduit. The data drive circuitry has been specifically designed with short circuit protection to prevent failures due to incorrect wiring or installation.

PDS-60ca 24V automatically accommodates supply voltages ranging from 100VAC to 240VAC, which must be hard-wired to the supply and is over-current protected. Color Kinetics 24V Chromasic fixtures are connectorized for easy fixture connection to output terminals. RJ45 data input accepts data from Ethernet or DMX Cat 5 data cables. From a DMX or Preprogrammed power/data supply, the data output connectors let you daisy-chain DMX data to other DMX supplies.

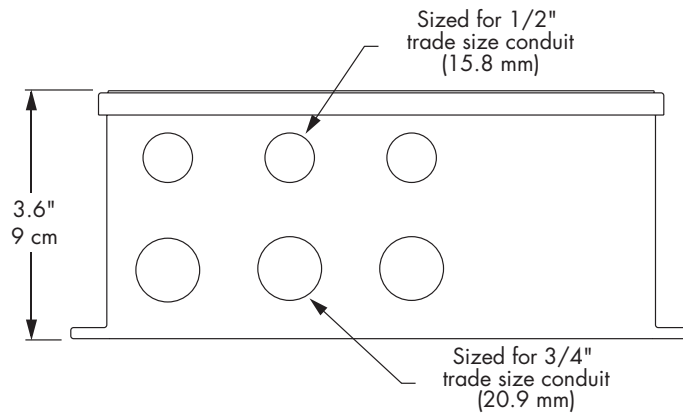
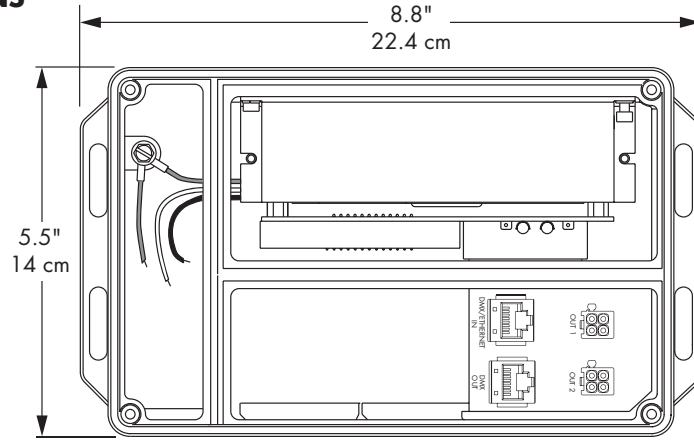
### PDS-60ca 24V SPECIFICATIONS

|                               |   |
|-------------------------------|---|
| <b>POWER INPUT</b>            | 100VAC to 240VAC auto ranging (50Hz–60Hz), 1.7A<br>Power factor correction (PFC)  |
| <b>POWER OUTPUT</b>           | 24VDC (62W Max.)  |
| <b>HEAT DISSIPATION</b>       | 25 percent of total power output  |
| <b>AMBIENT OPERATING TEMP</b> | 14°F to 104°F (-10°C to 40°C)   |
| <b>HOUSING</b>                | NEMA 4 enclosure; housing dimensions: 8.8" (22.4 cm) x 5.5" (14 cm) x 3.6" (9 cm)   |
| <b>CONNECTORS</b>             | Data: RJ45 input and output connectors<br>Power: 4-pin output connectors  |
| <b>DATA INPUT INTERFACE</b>   | <b>PDS-60ca DMX:</b> Color Kinetics DMX controllers or DMX512 compatible<br><b>PDS-60ca ETHERNET:</b> Color Kinetics Light System Manager Ethernet<br><b>PDS-60ca PREPROGRAMMED:</b> No external data input |
| <b>DATA OUTPUT INTERFACE</b>  | Chromasic 24V   |
| <b>PROTECTION RATING</b>      | IP66  |
| <b>LISTINGS</b>               | C-UL US listed, CE listed   |

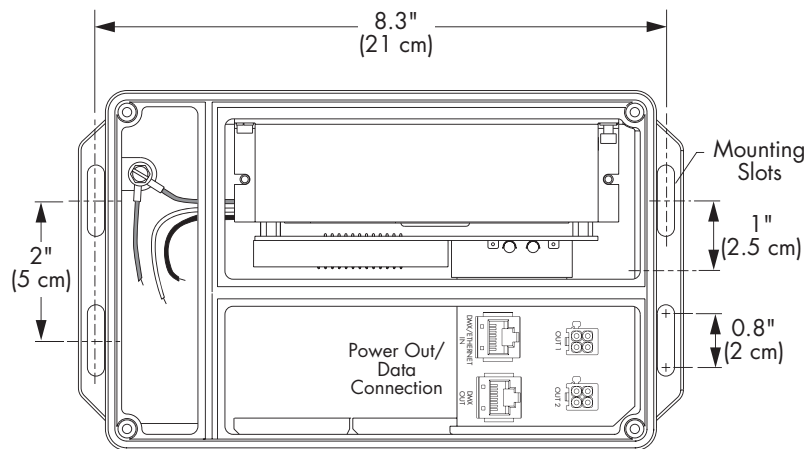
**PDS-60ca 24V**

PHYSICAL DIMENSIONS

**OVERALL DIMENSIONS**



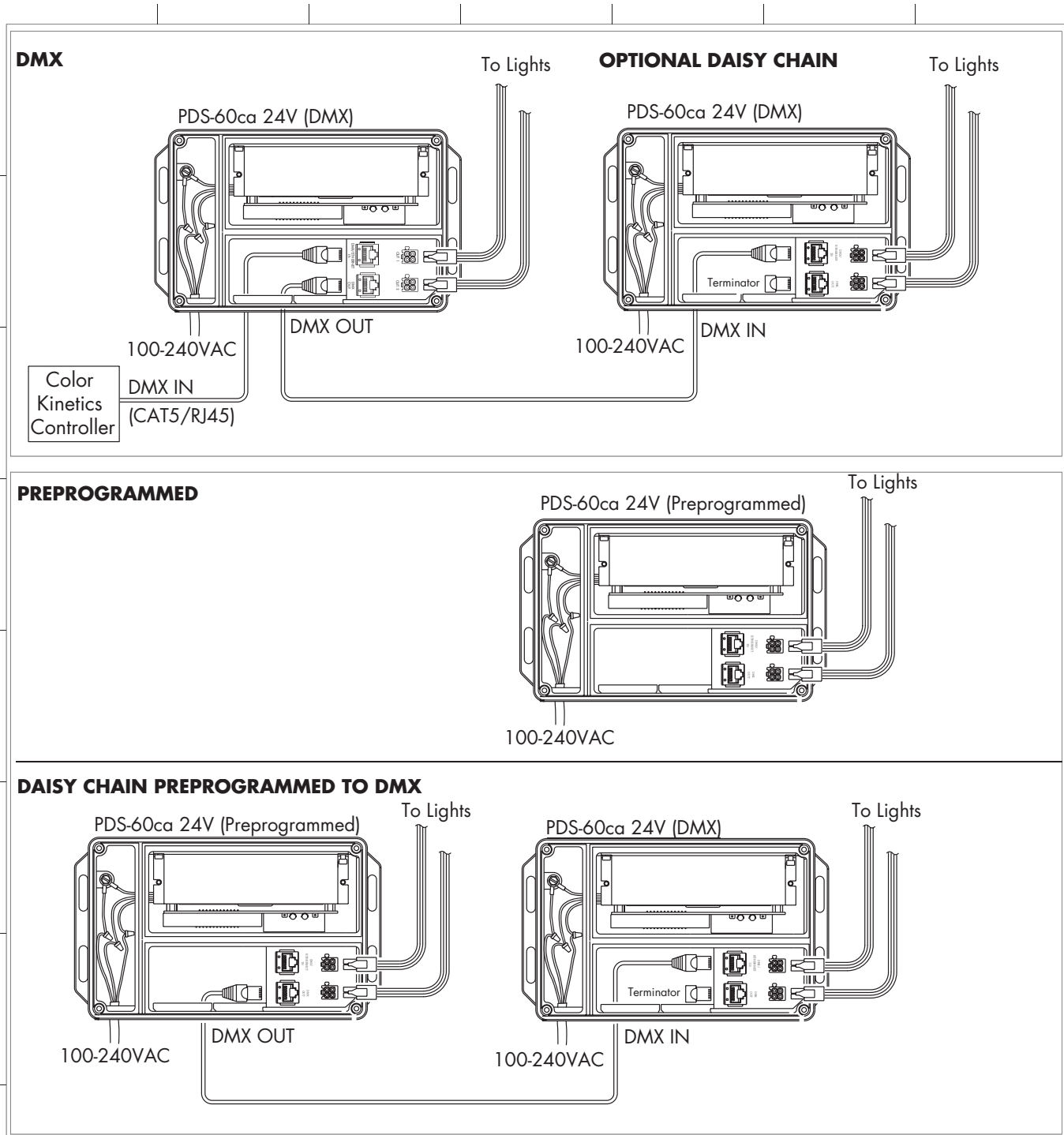
**MOUNTING DIMENSIONS**



| <b>PDS-60ca 24V</b><br><b>ITEM # 109-000016-00/01/02</b> |                        |
|--|------------------------|
| <b>DATA CONNECTOR</b>                                    | Input and output: RJ45 |
| <b>OUTPUT CONNECTOR</b>                                  | 4-pin                  |
| <b>SUPPLY CONNECTOR</b>                                  | Flying leads           |
| <b>WEIGHT</b>  | 4.5 lbs. (2 kg)        |

**PDS-60ca 24V**

FUNCTIONAL FLOW DIAGRAM



For complete installation instructions and safety precautions, refer to the PDS-60ca 24V User Guide and wiring diagrams located at [www.colorkinetics.com/support](http://www.colorkinetics.com/support).

**PDS-60ca 24V**

FUNCTIONAL FLOW DETAIL

