

PDS-60ca 7.5 V

Date: _____
Type: _____
Firm Name: _____
Project: _____

DMX/Ethernet

POWER/DATA SUPPLY

Power/data supply for indoor and outdoor applications

PDS-60ca 7.5 V DMX/Ethernet is a versatile power/data supply designed for indoor and outdoor LED lighting luminaires employing Chromasic technology from Color Kinetics.



- PDS-60ca 7.5 V is compatible with both Ethernet and DMX controllers.
- PDS-60ca 7.5 V delivers 62 watts of power output and accommodates input voltages ranging from 100 VAC to 240 VAC. Short-circuit protection prevents device failure due to incorrectly wired luminaires.
- Featuring a NEMA 4 (IP66) enclosure, PDS-60ca 7.5 V installs in dry, damp, and wet locations.
- PDS-60ca 7.5 V offers multiple standard-size conduit entries to accommodate 13 mm (1/2 in) and 19 mm (3/4 in) trade-sized conduit.

For more information, please refer to
www.colorkinetics.com/ls/pds/pds60ca7/

Specifications

Due to continuous improvements and innovations, specifications may change without notice.

Electrical

Input Voltage	100 to 240 VAC, auto-ranging, 50/60 Hz*
Fuse Rating	(2) 5 A, 5 x 20 fast blow fuses
Power Consumption	1.7 A at 100 VAC 1.5 A at 120 VAC 0.75 A at 240 VAC
Power Output	7.5 VDC, 62 W maximum

Connections

Data Input Source	Color Kinetics full range of controllers, third-party DMX controllers, or KiNET-compatible* third-party Ethernet controllers
Power Input	Line-neutral-ground cable, flying leads
Power Output	(2) 4-pin output receptacles
Data Output	RJ-45 input and output connectors

Compatible Luminaire

iColor Flex MX gen2	144 nodes
---------------------	-----------

*KiNET is the Ethernet lighting protocol from Color Kinetics.

Physical

Dimensions <i>(Height x Width x Depth)</i>	91 x 140 x 224 mm (3.6 x 5.5 x 8.8 in)
Weight	2.4 kg (5 lb.3)
Housing	Cast aluminium enclosure
Mounting	Slots for surface mounting
Finish	Powder-coated gray matte
Operating Temperature	-10 to 40 °C (14 to 104 °F)
Startup Temperature	-10 to 50 °C (14 to 122 °F)
Storage Temperature	-40 to 80 °C (-40 to 176 °F)
Humidity	0 to 95%, non-condensing
Cooling	Convection
Heat Dissipation	25% of total power input at maximum load

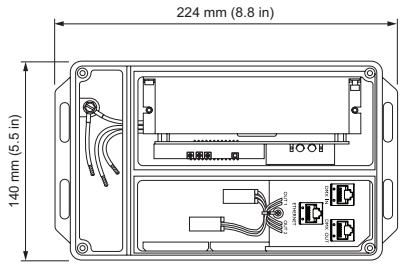
Certification and Safety

Certification	UL/cUL, CE, PSE
Classification	UL Class 2 power supply
Environment	Dry/Damp/Wet Location, IP66

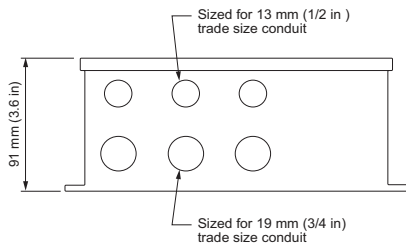
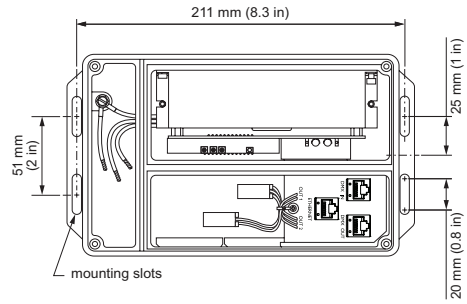


Dimensions

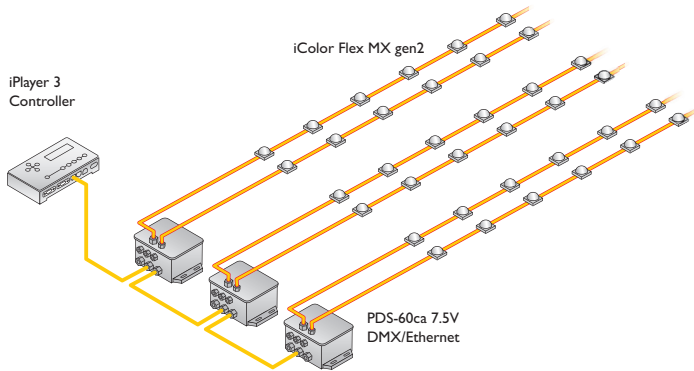
Overall Dimensions



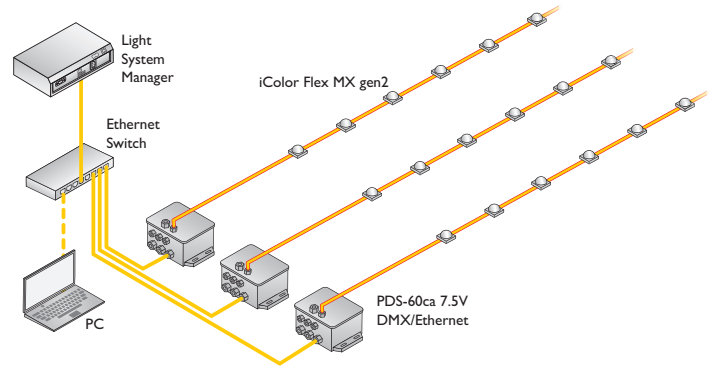
Mounting Dimensions



Typical DMX Installation



Typical Ethernet Installation



Part Numbers

Use Item Number when ordering in North America.

Power/Data Supply

PDS-60ca 7.5 V DMX/Ethernet

Item Number

109-000015-03

Item 12NC

910503700094

Power/data supply, (3) EMI suppression cores, (2) spare fuses, and (8) NPT threaded seal plugs



© 2019 Signify Holding. All rights reserved. Specifications are subject to change without notice. No representation or warranty as to the accuracy or completeness of the information included herein is given and any liability for any action in reliance thereon is disclaimed.

Color Kinetics
www.colorkinetics.com