

PDS-60 24 V

Date: _____
Type: _____
Firm Name: _____
Project: _____

DMX/Ethernet

POWER/DATA SUPPLY

Versatile power/data supply for indoor and outdoor applications

PDS-60 24V is a compact, rugged power/data supply designed for indoor and outdoor LED lighting installations using luminaires from Color Kinetics. Its versatility in providing both DMX and Ethernet options in one unit means the PDS-60 24V can be used in installations ranging from a single DMX universe to large Ethernet installations containing thousands of LED nodes.



- Versatile use in DMX and Ethernet installations—PDS-60 24V can be used in LED lighting installations containing as little as a single DMX universe, but it's smart enough to detect when it's connected to an Ethernet installation. That also means that PDS-60 24V is compatible with every controller available from Color Kinetics.
- Delivers 62 W of power output—Accommodates input voltages ranging from 100 VAC to 240 VAC. Short-circuit protection prevents device failure due to incorrectly wired luminaires.
- Suitable for indoor and outdoor use—Features a NEMA 4, IP66 enclosure, so you can mount the PDS-60 24V in on surfaces in dry, damp, and wet locations.
- Offers multiple standard-size conduit entries—Accommodates 13 mm (0.5 in) and 19 mm (0.75 in) trade-sized conduit.

For more information, please refer to
www.colorkinetics.com/ls/pds/pds60/

Specifications

Due to continuous improvements and innovations, specifications may change without notice.

Electrical

Input Voltage	100 to 240 VAC, auto-ranging, 50/60 Hz*
Fuse Rating	(2) 4 A, 5 x 20 fast blow fuses
Power Consumption	1.7 A at 100 VAC 1.5 A at 120 VAC 0.75 A at 240 VAC
Power Output	24 VDC, 62 W maximum

Connections

Threaded Openings	19 mm (0.75 in), 13 mm (0.5 in) NPT
Data Input Source	Color Kinetics full range of controllers, third-party DMX controllers, or KiNET-compatible* third-party Ethernet controllers
Power Input	Line-neutral-ground cable, flying leads
Power Output	2-pin spring terminal
Data Input	RJ-45 input and output connectors
Data Output	RJ-45, 3-pin terminal block

Compatible Luminaires

C-Splash 2	2
------------	---

Physical

Dimensions <i>(Height x Width x Depth)</i>	91 x 140 x 224 mm (3.6 x 5.5 x 8.8 in)
Weight	2 kg (4.5 lb)
Housing	Cast aluminium enclosure
Mounting	Slots for surface mounting
Finish	Powder-coated gray matte
Operating Temperature	-10 to 40 °C (14 to 104 °F)
Startup Temperature	-10 to 50 °C (14 to 122 °F)
Storage Temperature	-40 to 80 °C (-40 to 176 °F)
Humidity	0 to 95%, non-condensing
Cooling	Convection
Airflow	Front panel input, back panel output
Heat Dissipation	25% of total power input at maximum load

Certification and Safety

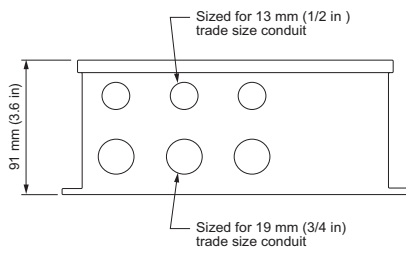
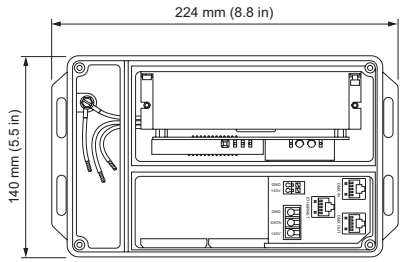
Certification	UL/cUL, CE, PSE, C-Tick, SAA
Classification	UL Class 2 power supply
Environment	Dry/Damp/Wet Location, IP66



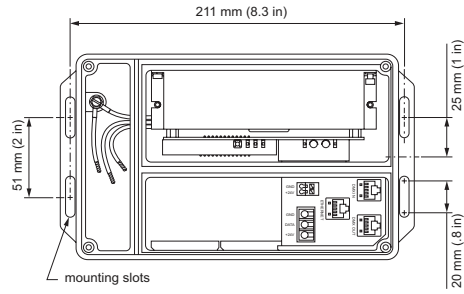
* KiNET is the Ethernet lighting protocol from Color Kinetics.

Dimensions

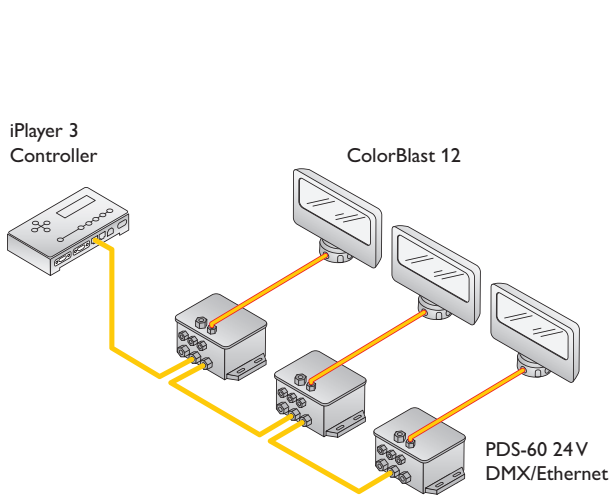
Overall Dimensions



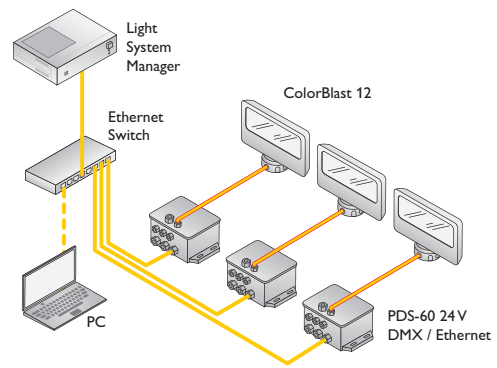
Mounting Dimensions



Typical DMX Installation



Typical Ethernet Installation



Part Numbers

Use Item Number when ordering in North America.

Power/Data Supply

PDS-60 24 V DMX/Ethernet

Item Number

109-000017-03

Item 12NC

910503700097

Power/data supply, (3) EMI suppression cores, (2) spare fuses, and (8) NPT threaded seal plugs



© 2019 Signify Holding. All rights reserved. Specifications are subject to change without notice. No representation or warranty as to the accuracy or completeness of the information included herein is given and any liability for any action in reliance thereon is disclaimed.

Color Kinetics
www.colorkinetics.com