

PDS-150e

Date: _____
Type: _____
Firm Name: _____
Project: _____

POWER/DATA SUPPLY

Power/data supply for Ethernet and DMX installations

PDS-150e is an indoor-rated power/data supply designed for C-Splash 2 luminaires from Color Kinetics.



- Compatible with both Ethernet and DMX controllers.
- Delivers 150 watts of total output via six output terminals and automatically accommodates input voltages ranging from 100 VAC to 240 VAC.
- Short-circuit protection prevents failure due to incorrectly wired luminaires.
- Enclosure complies with National Electrical Code (NEC) requirements. The built-in cooling fan and over-temperature protection circuitry prevent the unit from operating beyond its rated temperature range.
- 14 pre-formed knockout holes accommodate standard conduit sizes.

For more information, please refer to <https://www.colorkinetics.com/global/products/pds/pds150e>

Specifications

Due to continuous improvements and innovations, specifications may change without notice.

Electrical

Input Voltage	100 to 240 VAC, auto-switching, 50 / 60 Hz*
Maximum Input Current	2.8 A at 115 VAC, 1.4 A at 230 VAC
Power Output	24 VDC, 150 W maximum

Connections

Data Input Source	Color Kinetics full range of controllers, third-party DMX controllers, or KiNET-compatible* third-party Ethernet controllers
Power Input	Terminal block
Power Output	(6) terminal blocks
Data Input	RJ-45 input connectors
Data Output	RJ-45 output connector

Compatible Luminaires

C-Splash 2

Max. Quantity Per PDS-150e	6
Max. Quantity Per Fuse Group	2

* KiNET is the Ethernet lighting protocol from Color Kinetics.

Physical

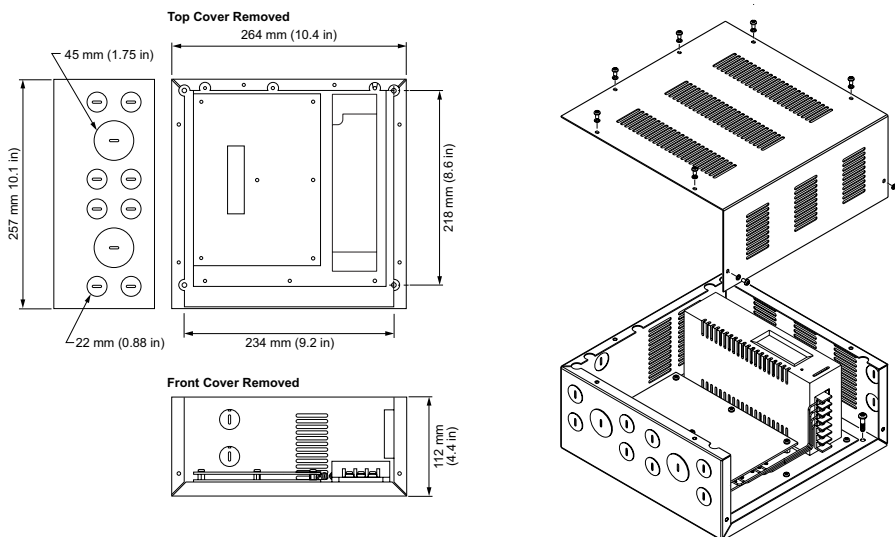
Dimensions (Height x Width x Depth)	112 x 264 x 257 mm (4.4 x 10.4 x 10.1 in)
Weight	3.6 kg (8 lb)
Housing	Painted steel housing, surface mount design
Finish	Black matte
Operating Temperature	-10 to 50 °C (14 to 122 °F)
Startup Temperature	-10 to 50 °C (14 to 122 °F)
Storage Temperature	-40 to 80 °C (-40 to 176 °F)
Humidity	0 to 95%, non-condensing
Cooling	Cooling fan
Airflow	Rear panel input, side panel output
Heat Dissipation	25% of total power input at maximum load

Certification and Safety

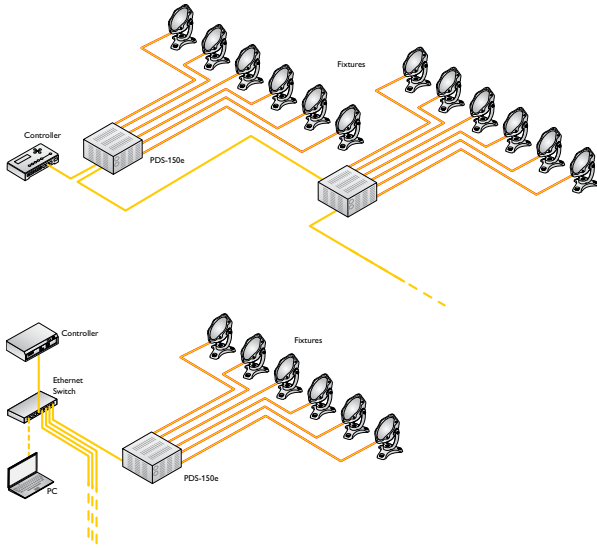
Certification	UL/cUL, FCC Class A, CE, PSE, C-Tick, SAA
Classification	UL Class 2 power supply
Environment	Dry Location, IP20



Dimensions



DMX (top) and Ethernet (bottom) Configurations



Ordering Information

Use Item Number when ordering in North America.

Power/Data Supply

PDS-150e,

Power/data supply module, housing with cover and attaching screws, connectors, Installation Instructions

Item Number

109-000008-01

Item 12NC

910503700092



© 2019 Signify Holding. All rights reserved. Specifications are subject to change without notice. No representation or warranty as to the accuracy or completeness of the information included herein is given and any liability for any action in reliance thereon is disclaimed.

Color Kinetics
www.colorkinetics.com