

PDS-150E



Color Kinetics® PDS-150e intelligent power/data supply is specifically designed for Color Kinetics bColor Series and iColor Series fixtures. PDS-150e provides a robust 150W power source and intelligent data drive circuitry. This data circuitry conditions data supplied from a DMX512 controller, including Color Kinetics full line of controllers, to a format compatible with the fixtures. This integration of power and data simplifies wiring installation.

The 150W power source features a built-in ventilation fan in addition to an automatic over-temperature shut-off to protect it from damage due to overheating. The data drive circuitry has been specifically designed with short circuit protection to prevent failures due to incorrect wiring/installation. PDS-150e also features diagnostic LEDs to aid troubleshooting of Color Kinetics systems.

PDS-150e automatically accommodates supply voltages ranging from 100VAC to 240VAC, which must be hard-wired to the supply. Light fixtures are hard-wired to screw terminal connectors for easy fixture disconnection and reconnection to output terminals. RJ45 data input and output connectors let you daisy-chain data from one power/data supply to another. A DMX repeater is provided to maintain the integrity of the data in large installations.

The entire package is housed in a NEMA-style enclosure with 14 pre-formed knockout holes sized for standard conduit connectors, which comply with National Electrical Code (NEC) requirements. PDS-150e is rated for indoor use only. For outdoor installations, a NEMA 4 (IP66) outdoor rated enclosure must be used.

PDS-150e is outfitted for advanced Ethernet options using a Color Kinetics proprietary protocol. These control options are ideal for large installations. For more information, contact Color Kinetics.

CHROMACORE® BY COLOR KINETICS



ITEM# 109-000008-01

For use under one or more of the following patents: U.S. Patent Nos. 6,016,038, 6,150,774 and other patents listed at <http://colorkinetics.com/patents/>. Other patents pending.

©2002-2005 Color Kinetics Incorporated. All rights reserved. Chromacore, Chromasic, CK, the CK logo, Color Kinetics, the Color Kinetics logo, Color Kinetics The Leader in Intelligent Light, ColorBlast, ColorBlaze, ColorBurst, ColorCast, ColorPlay, ColorScape, DIMand, Direct Light, EssentialWhite, eW, iColor, iColor Cove, IntelliWhite, iW, iPlayer, Light Without Limits, Optibin, Powercore, QuickPlay, Sauce, the Sauce logo, and SmartJuice are either registered trademarks or trademarks of Color Kinetics Incorporated in the United States and/or other countries.

BR0103 Rev 06

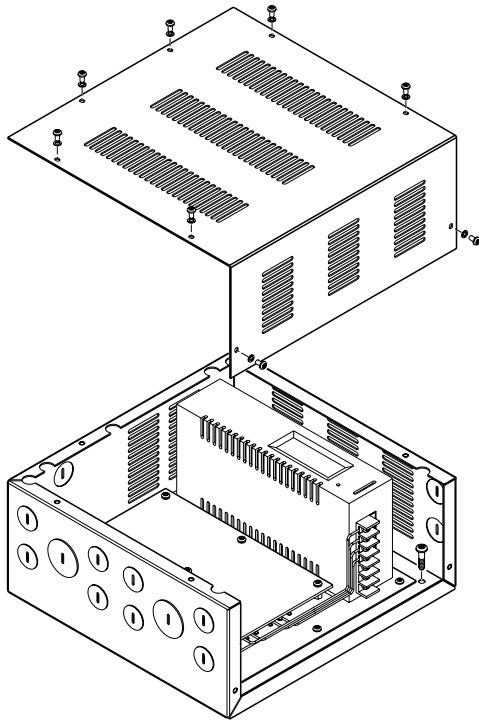
Specifications subject to change without notice. Refer to www.colorkinetics.com for the most recent version.

PDS-150e SPECIFICATIONS

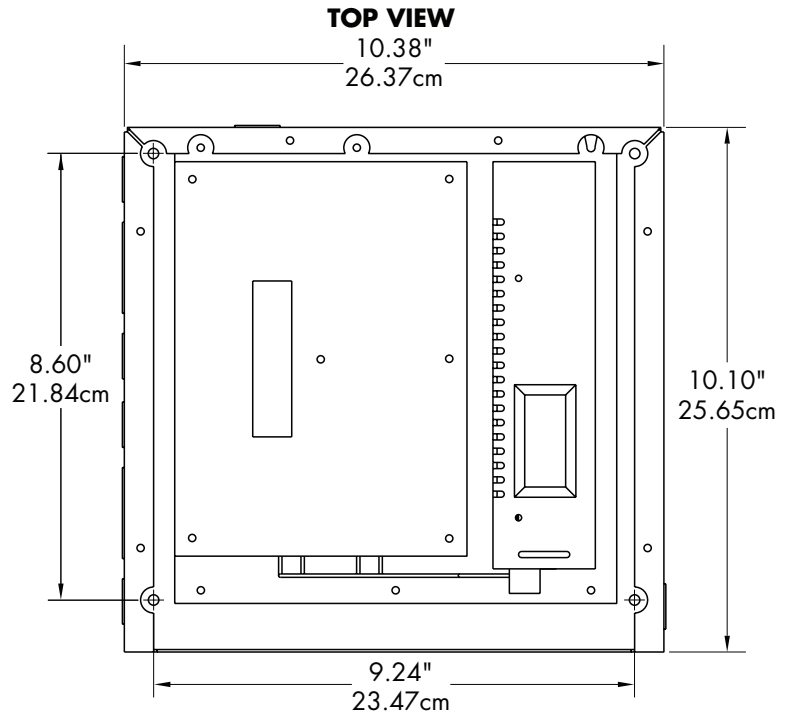
POWER INPUT	100VAC to 240VAC auto ranging (50Hz–60Hz) Power factor correction (PFC) 2.8A (115V)/1.4A (230V)
POWER OUTPUT	24VDC (150W Max.)
HEAT DISSIPATION	25 percent of total power output
AMBIENT OPERATING TEMP	14°F to 122°F (-10°C to 50°C)
HOUSING	NEMA-style indoor rated enclosure; housing dimensions: 10.38" (26.37 cm) x 10.10" (25.65 cm) x 4.38" (11.13 cm)
CONNECTORS	Data: Screw terminal or RJ45 input and output connectors Power: Screw terminal output connectors
DATA INTERFACE	Color Kinetics full line of controllers or DMX512 (RS485) compatible
CLASSIFICATION	Class 2 power supply
LISTINGS	UL/cUL, CE

PDS-150e

PHYSICAL DIMENSIONS

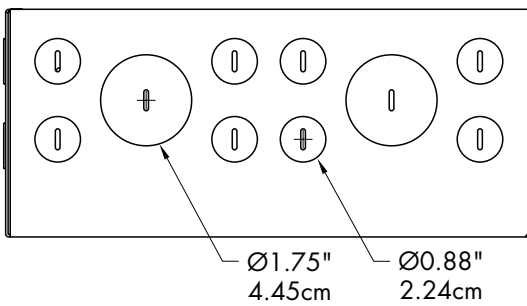


NOTE: Requires 4 inches open space on all vented sides

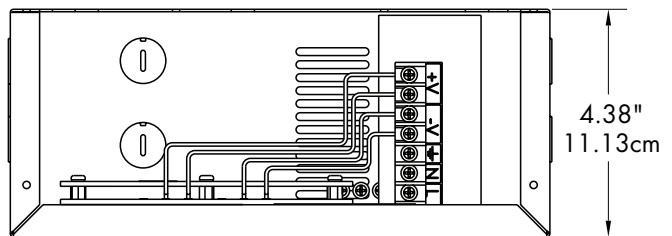


(SHOWN WITHOUT COVER)

SIDE VIEW



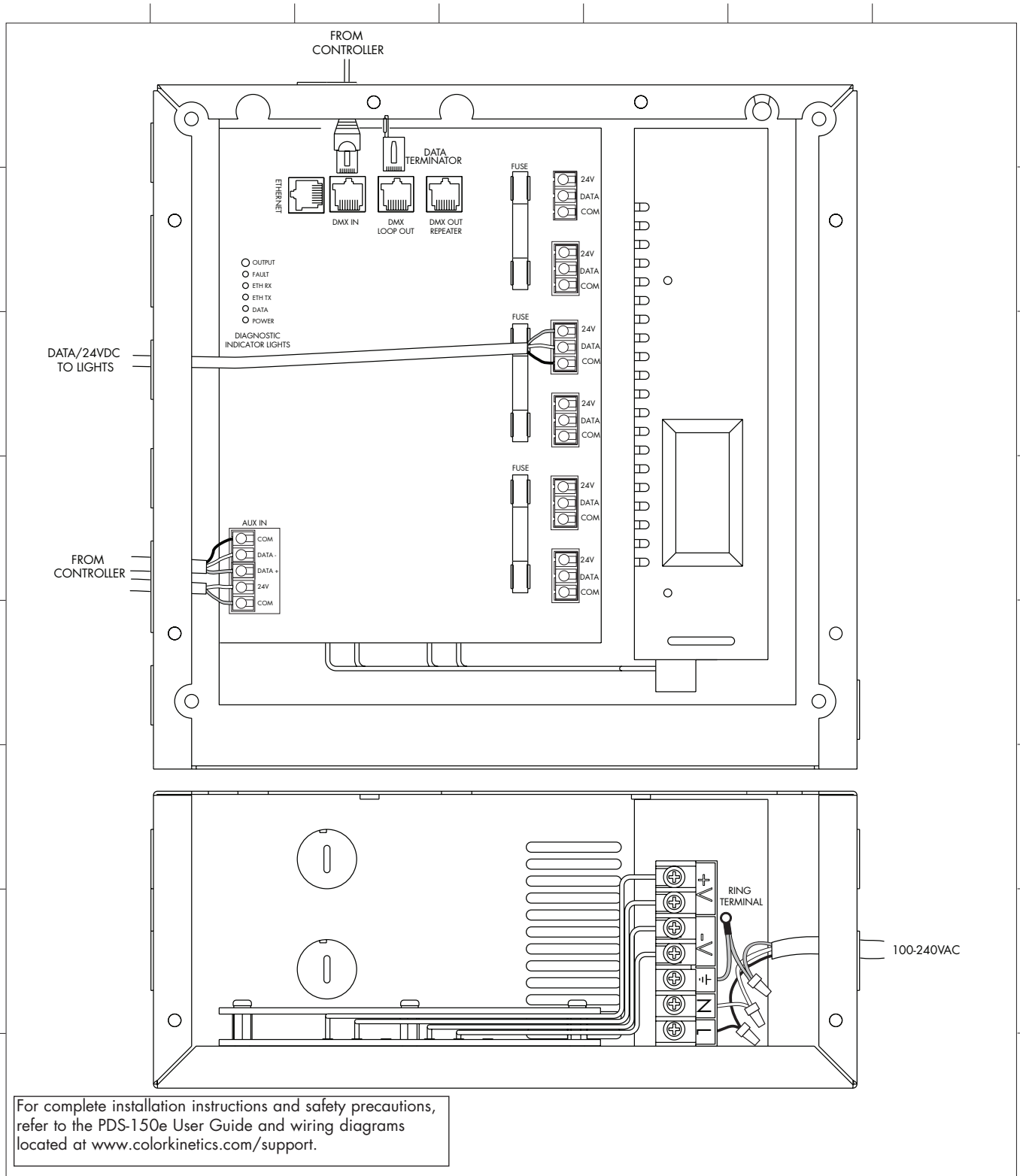
FRONT VIEW



PDS-150e	
ITEM # 109-000008-01	
DATA CONNECTOR	Input and output via RJ45 or screw terminals
OUTPUT CONNECTOR	Screw terminals
SUPPLY CONNECTOR	Flying leads
WEIGHT	8 lb. (3.6 kg)

PDS-150e

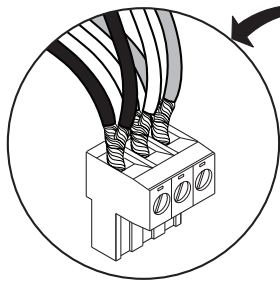
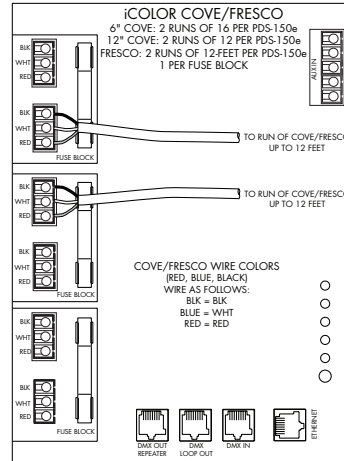
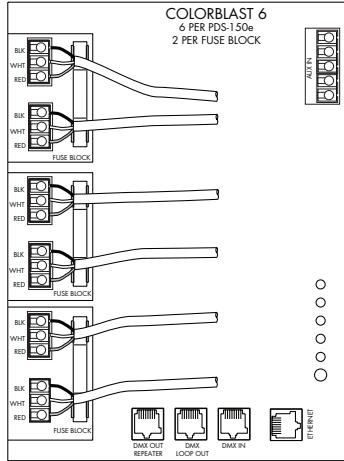
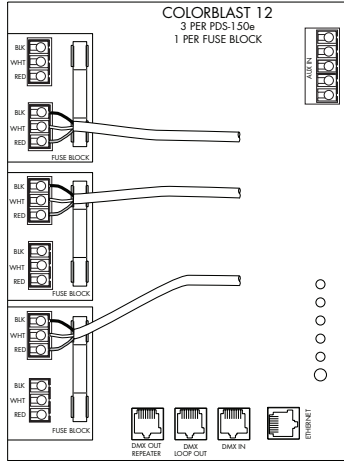
FUNCTIONAL FLOW DIAGRAM



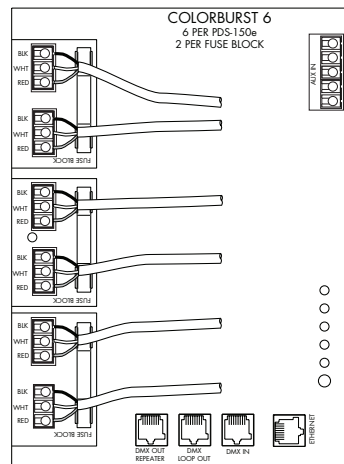
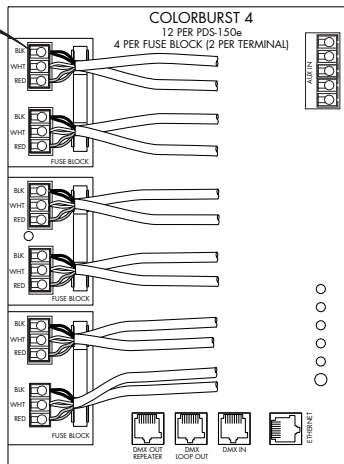
For complete installation instructions and safety precautions, refer to the PDS-150e User Guide and wiring diagrams located at www.colorkinetics.com/support.

PDS-150e

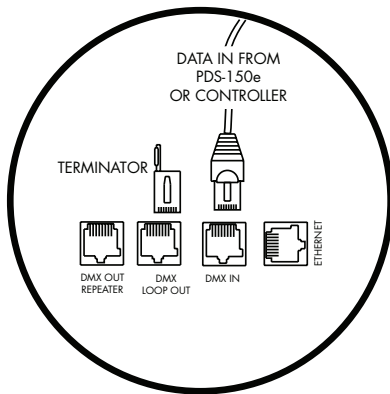
FUNCTIONAL FLOW DETAIL



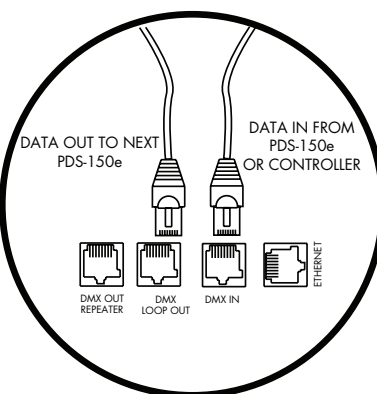
NOTE: iColor Accent cannot be used with the PDS-150e



DMX CONTROLLER

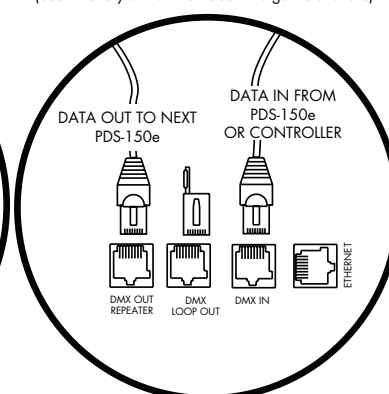


DAISY-CHAIN



LARGE CHAIN

(Use on every 32nd PDS-150e in large installations)



For complete installation instructions and safety precautions, refer to the PDS-150e User Guide and wiring diagrams located at www.colorkinetics.com/support.