

# IntelliPower Wiring Compartment

Date: \_\_\_\_\_

Type: \_\_\_\_\_

Firm Name: \_\_\_\_\_

Project: \_\_\_\_\_

**4 in Diameter, Black Housing (UL/  
cUL)**

## ACCESSORY

Developed for Data Receiver IntelliPower installations with canopy-base and landscape-mount luminaires

The IntelliPower Wiring Compartment offers ample wiring volume when mounting canopy base luminaires from Color Kinetics, including Burst Powercore Architectural and Blast Powercore, directly to Data Receiver IntelliPower. For luminaires with mounting posts, such as Burst Powercore Landscape, you may mount the luminaire to the threaded opening of Data Receiver IntelliPower and then to the IntelliPower Wiring Compartment.



- For non-IntelliPower installations of luminaires with mounting posts, such as Burst Powercore Landscape, and the IntelliPower Wiring Compartment a third-party wiring compartment cover will need to be supplied.
- Outdoor rated — IntelliPower Wiring Compartment is fully sealed and IP66-rated for outdoor applications.

For more information, please refer to <https://www.colorkinetics.com/global/products/pds/datareceiverintellipower>

# Specifications

Due to continuous improvements and innovations, specifications may change without notice.

## Physical

|  |  |
|--|--|
| Dimensions<br>(Height x Width x Depth) | 51 x 146 x 146 mm (2 x 5.75 x 5.75 in) |
| Weight                                 | 0.41 kg (0.9 lb)                       |
| Housing                                | Cast aluminium enclosure               |
| Finish                                 | Powder-coated black matte              |
| Operating Temperature                  | -40 to 50 °C (-40 to 122 °F)           |

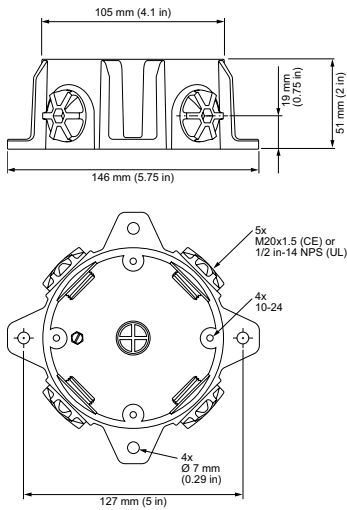
## Certification and Safety

|               |                         |
|---------------|-------------------------|
| Environment   | Dry/Damp/Wet Location   |
| Certification | UL/cUL, FCC Class A, CE |



## Dimensions

### Wiring Compartment Dimensions



Optional wiring compartment

## Part Numbers

Use Item Number when ordering in North America.

### Accessory

|  | Item Number   | Item 12NC    |
|--|---------------|--------------|
| IntelliPower Wiring Compartment, 4 in Diameter, Black Housing (UL/cUL) | 106-000011-30 | 910503704147 |

### Associated Parts

|  |               |              |
|--|---------------|--------------|
| Data Receiver IntelliPower, Black Housing (UL/cUL) | 106-000011-01 | 910503703263 |
|--|---------------|--------------|



© 2019 Signify Holding. All rights reserved. Specifications are subject to change without notice. No representation or warranty as to the accuracy or completeness of the information included herein is given and any liability for any action in reliance thereon is disclaimed.

Color Kinetics  
www.colorkinetics.com