

# 4 Conductor Jumper Cable

Date: \_\_\_\_\_  
 Type: \_\_\_\_\_  
 Firm Name: \_\_\_\_\_  
 Project: \_\_\_\_\_

**For use with Graze Compact, 9.1 m (30 ft), Black, UL**

## JUMPER CABLE

For use with Graze Compact Powercore luminaires



## Specifications

Due to continuous improvements and innovations, specifications may change without notice.

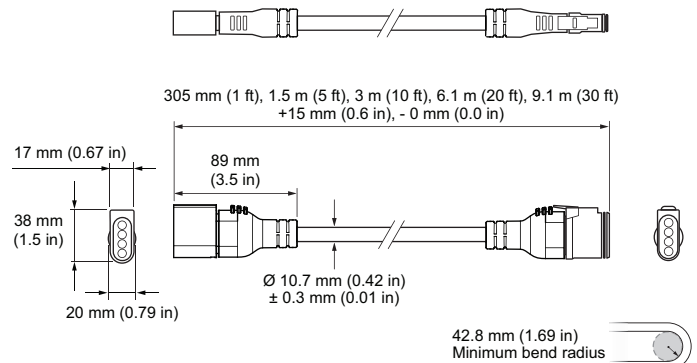
### Physical

Dimensions	9144 mm (360 in) Length
Weight	2.7 kg (5.95 lb)
Connections	Self-locking, male-female connectors
Cable	4 conductor, Annealed flexible stranded copper, UL 62, UL 1581 and CSA 22.2
Outer Cable Insulation	CPE 105° C, not halogen free
Inner Wire Insulation	EPR (Ethylene Propylene Rubber)
Wire Gauge	14 AWG
Voltage	100 to 277 VAC
Temperature Range	-40 to 50 °C (-40 to 122 °F) Operating

### Certification and Safety

Environment	Dry/Damp/Wet Location, IP66
Certification	UL

### Dimensions



### Part Numbers

#### Jumper Cable

4 Conductor Jumper Cable  
 For use with Graze Compact, 9.1 m (30 ft), Black, UL  
 Allows end-to-end connection of units with 30 ft gap  
 ZCS570 C9144P-M-F BK UL

Use Item Number when ordering in North America.

Item Number	Item 12NC
108-000073-08	912400136938

© 2021 Signify Holding. All rights reserved. Specifications are subject to change without notice. No representation or warranty as to the accuracy or completeness of the information included herein is given and any liability for any action in reliance thereon is disclaimed.

8/10/2021

