

Graze Compact Mounting Arm

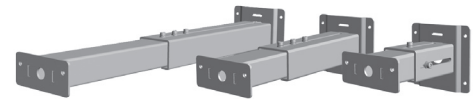
Date: _____
Type: _____
Firm Name: _____
Project: _____

Short, Gray

ACCESSORY

Adjustable mount designed for Graze Compact luminaires

The Mounting Arm enables precise setback distance between luminaire and any flat, perpendicular surface. Available in three sizes, the Mounting Arm can be used with all Graze Compact luminaires to enhance your lighting design.



Specifications

Due to continuous improvements and innovations, specifications may change without notice.

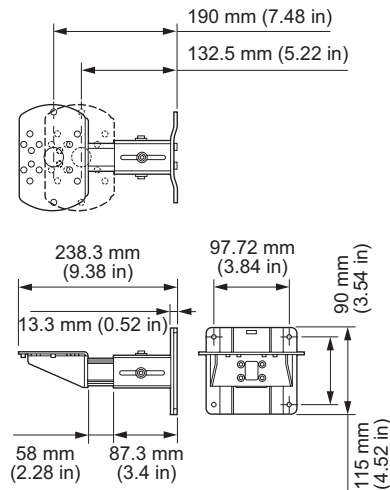
Physical

Dimensions (Height x Width x Depth)	115 x 120 x 236 mm (4.53 x 4.72 x 9.29 in)
Weight	0.7 kg (1.6 lb)
Housing	Aluminium
Finish	gray powder-coated finish
Corrosion Resistance	Complies with ASTM G85 standard

Certification and Safety

Environment	Dry/Damp/Wet Location
-------------	-----------------------

Dimensions



Part Numbers

Use Item Number when ordering in North America.

Accessory

Graze Compact Mounting Arm, Short, Gray	Item Number 120-000206-00	Item 12NC 912400136642
---	------------------------------	---------------------------

© 2021 Signify Holding. All rights reserved. Specifications are subject to change without notice. No representation or warranty as to the accuracy or completeness of the information included herein is given and any liability for any action in reliance thereon is disclaimed.

3/15/2021

