

Graze Compact Mounting Arm

Date: _____
 Type: _____
 Firm Name: _____
 Project: _____

Medium, Gray

ACCESSORY

Adjustable mount designed for Graze Compact luminaires

The Mounting Arm enables precise setback distance between luminaire and any flat, perpendicular surface. Available in three sizes, the Mounting Arm can be used with all Graze Compact luminaires to enhance your lighting design.



Specifications

Due to continuous improvements and innovations, specifications may change without notice.

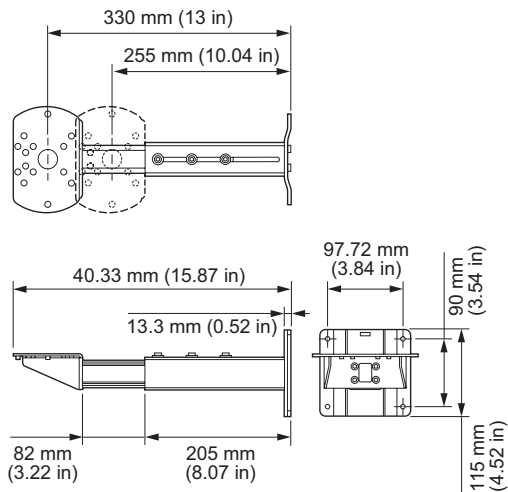
Physical

| | |
|--|---|
| Dimensions (Height x Width x Depth) | 115 x 120 x 377 mm (4.53 x 4.72 x 14.84 in) |
| Weight | 0.96 kg (2.1 lb) |
| Housing | Aluminium |
| Finish | gray powder-coated finish |
| Corrosion Resistance | Complies with ASTM G85 standard |

Certification and Safety

| | |
|-------------|-----------------------|
| Environment | Dry/Damp/Wet Location |
|-------------|-----------------------|

Dimensions



Part Numbers

Use Item Number when ordering in North America.

| Accessory | Item Number | Item 12NC |
|--|---------------|--------------|
| Graze Compact Mounting Arm, Medium, Gray | 120-000206-01 | 912400136643 |

© 2021 Signify Holding. All rights reserved. Specifications are subject to change without notice. No representation or warranty as to the accuracy or completeness of the information included herein is given and any liability for any action in reliance thereon is disclaimed.

3/15/2021

