

Graze Compact Constant Torque Hinge

Date: _____

Type: _____

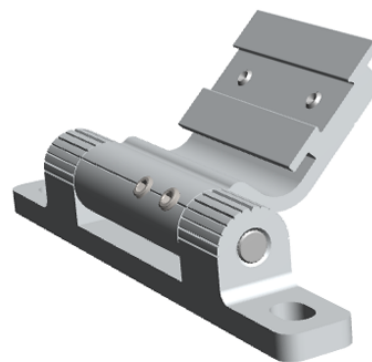
Firm Name: _____

Project: _____

(Set of 10)

For use with Graze Compact luminaires

Set of 10 hinges.



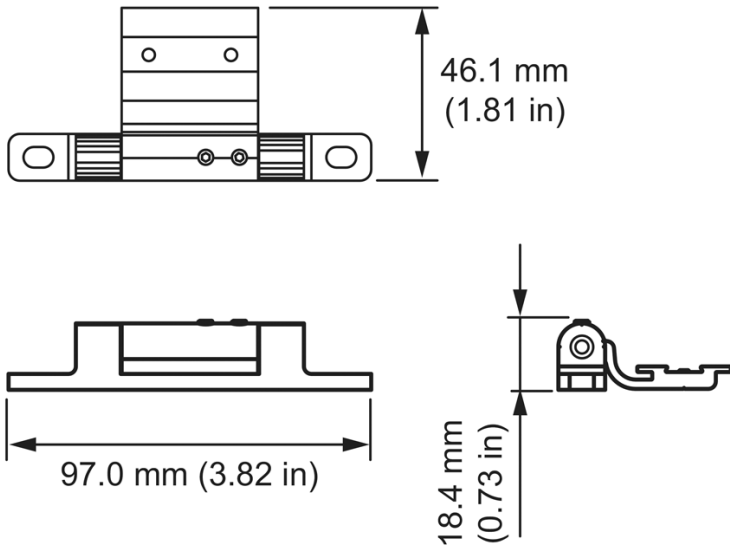
Specifications

Due to continuous improvements and innovations, specifications may change without notice.

Physical

Dimensions	97.0 x 46.1x 17.75mm (3.82 x 1.81 x 0.7 in)
Weight (Height x Width x Depth)	.54 kg (1.2 lb)
Housing	Aluminium
Finish	gray powder-coated finish

Dimensions



Part Numbers

Use Item Number when ordering in North America.

Accessory

Graze Compact Constant Torque Hinge, (Set of 10)

Item Number

120-000211-00

Item 12NC

912400136664



© 2022 Signify Holding. All rights reserved. Specifications are subject to change without notice. No representation or warranty as to the accuracy or completeness of the information included herein is given and any liability for any action in reliance thereon is disclaimed.

Color Kinetics
<https://www.colorkinetics.com/global/graze>