

Date: \_\_\_\_\_  
Type: \_\_\_\_\_  
Firm Name: \_\_\_\_\_  
Project: \_\_\_\_\_

# Data Enabler Pro

3/4 in / 1/2 in NPT (US trade size conduit), UL

## POWER SUPPLY

### Integrated data and power for intelligent LED lighting luminaires employing Powercore technology

Data Enabler Pro delivers integrated data and power to intelligent color and tunable white LED lighting luminaires employing Powercore technology from Color Kinetics. Data Enabler Pro integrates many of the features of the previous generation of Data Enablers, including Data Enabler DMX, Data Enabler Ethernet, and Data Enabler EO. Data Enabler Pro is the single solution for all intelligent Powercore-based installations, whether DMX or Ethernet, color or white, indoors or outdoors.



- Easy installation — Accessible, clearly labeled terminal block connectors for DMX, Ethernet, line voltage, and luminaires make installation easy. Tethered cover with captive screws ensures convenient removal and replacement.
- Supports luminaires employing Powercore technology — Powercore technology rapidly, efficiently, and accurately controls power output to LED lighting luminaires directly from line voltage. Data Enabler Pro merges line voltage and control data and delivers them to Powercore luminaires over a single cable, dramatically simplifying installation and lowering total system cost.
- On-board diagnostics — On-board indicator LEDs provide visual feedback for normal operation, Ethernet connection detection, and Ethernet and DMX data transmission.
- Full support for DMX and Ethernet — Provides inputs and outputs for both DMX and Ethernet, allowing you to connect multiple Data Enabler Pro devices in series. Also provides an Ethernet output terminal for eW Accent MX Powercore and iColor Accent MX Powercore support.
- Outdoor-rated for use in damp and wet environments — Data Enabler Pro offers superior leakage protection in a cast aluminium, IP66-rated enclosure.
- Multiple conduit entries — Data Enabler Pro conduit entries accommodate NPT conduit in US trade sizes of 1/2 in and 3/4 in, or metric sizes of PG13 and PG21.
- Universal power input range — Data Enabler Pro automatically senses mains voltages ranging from 100 – 277 VAC, and passes mains voltages through to all connected lights.
- Designed for maximum energy efficiency — Data Enabler Pro consumes just 20 W maximum. Optional power-saving modes automatically cut power to attached lights when lights are off for a configurable number of minutes.

For more information, please refer to  
[www.colorkinetics.com/ls/pds/dataenablerpro/](http://www.colorkinetics.com/ls/pds/dataenablerpro/)

# Specifications

Due to continuous improvements and innovations, specifications may change without notice.

## Electrical

Input Voltage	100 to 277 VAC, auto-ranging, 50/60 Hz*
Maximum Input Current	16.5 A maximum
Load Current	16 A maximum
Power Consumption	20 W maximum

For Surge Protection Requirements for LED Lighting Systems, please refer to [www.colorkinetics.com/KB/surge-protection](http://www.colorkinetics.com/KB/surge-protection).

## Connections

Threaded Openings	3/4 in NPT for power / 1/2 in NPT for data (US trade)
-------------------	---

Data Input Source  
Color Kinetics full range of controllers, third-party DMX controllers, or KiNET-compatible§ third-party Ethernet controllers§

Power Input	3-wire PC terminal block connector†
Power/Data Output	4-wire PC terminal block connector† 4-wire IDC terminal block connector (eW Accent MX Powercore and iColor Accent MX Powercore only)‡
DMX Input/Output	Double-pair, double-entry IDC connectors‡
Ethernet Input/Output	Double-pair, double-entry IDC connectors‡

\* Verify that the line voltage is appropriate for the lighting luminaires in your installation. See a specific luminaire's documentation for supported line voltages.

† PC terminal block connectors accept recommended wire sizes from 8 to 18 AWG (8.37 – 0.823 mm<sup>2</sup>).

‡ IDC connectors accept wire sizes from 22 – 26 AWG (0.326 – 0.129 mm<sup>2</sup>).

§ KiNET is the Ethernet lighting protocol from Color Kinetics.

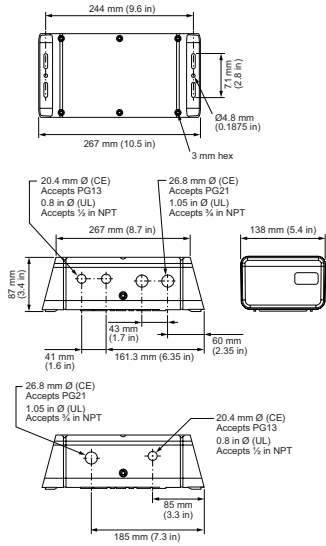
## Physical

Dimensions <i>(Height x Width x Depth)</i>	87 x 267 x 138 mm (3 x 11 x 5.4 in)
Weight	2.4 kg (5.4 lb)
Housing	Cast aluminium enclosure with slots for surface mounting. Powder-coated industrial gray matte.
Operating Temperature	-40 to 50 °C (-40 to 122 °F)
Startup Temperature	-20 to 50 °C (-4 to 122 °F)
Storage Temperature	-40 to 80 °C (-40 to 176 °F)
Humidity	0 to 95%, non-condensing
Cooling	Convection
Heat Dissipation	20 W

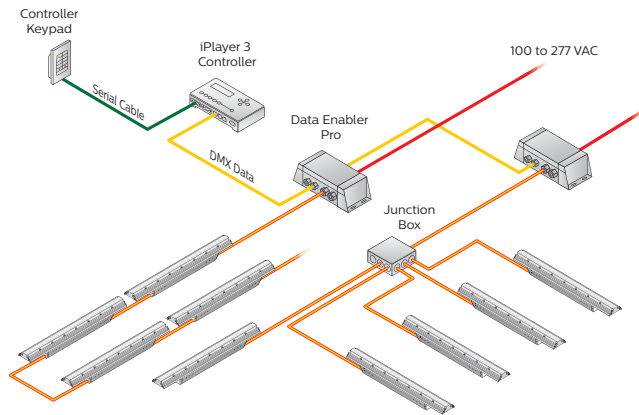
## Certification and Safety

Certification	UL/cUL, FCC Class A, CE, C-Tick
Environment	Dry/Damp/Wet Location, IP66

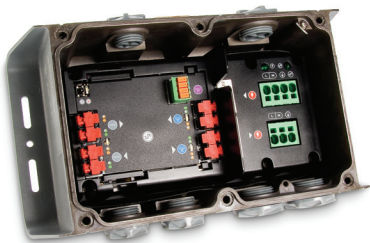
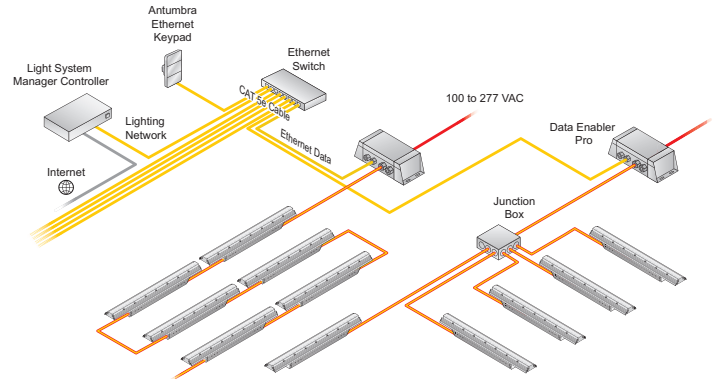
# Dimensions



## DMX Configuration



## Ethernet Configuration



# Part Numbers

Use Item Number when ordering in North America.

## Power Supply

	Item Number	Item 12NC
Data Enabler Pro 3/4 in / 1/2 in NPT (US trade size conduit), UL	106-000004-00	910503701210



© 2022 Signify Holding. All rights reserved. Specifications are subject to change without notice. No representation or warranty as to the accuracy or completeness of the information included herein is given and any liability for any action in reliance thereon is disclaimed.

Color Kinetics  
[www.colorkinetics.com](http://www.colorkinetics.com)