



Date: \_\_\_\_\_ Type: \_\_\_\_\_

Firm Name: \_\_\_\_\_

Project: \_\_\_\_\_

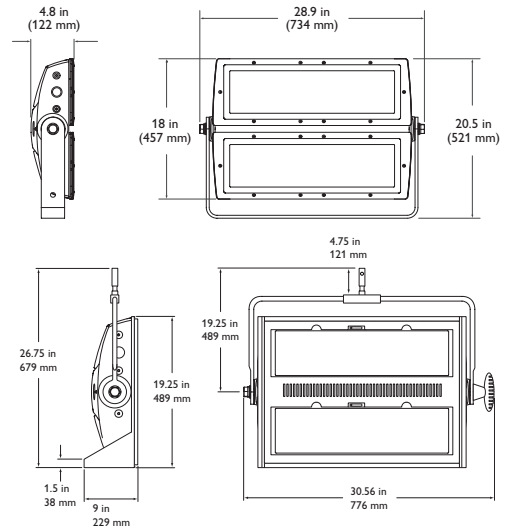
# ColorReach TR Powercore

## 5° native (no spread lens)

Premium long-throw theatrical and rental LED floodlight with intelligent color light

ColorReach TR Powercore is the road-ready version of our flagship, high-performance floodlight, specifically designed to withstand the rigors of the temporary and touring markets. This rental-friendly fixture offers ease of installation and control, along with the ability to produce millions of saturated colors without gels or filters. With unprecedented lumen output and light projection, this powerful fixture represents the next generation in set and stage lighting.

- Integrates patented Powercore technology — Powercore technology rapidly, efficiently, and accurately controls power output to ColorReach TR Powercore fixtures directly from line voltage. Philips Data Enabler merges line voltage and control data and delivers them to fixtures over a single standard cable, dramatically simplifying installation and lowering total system cost.
- Unparalleled light output — With an output of up to 5211 lumens, light projection of over 500 ft, and a 5° native beam angle, ColorReach TR Powercore is the first LED fixture powerful enough to replace multiple flood and wash fixtures for brilliant large-scale and long-throw applications.
- Entertainment-ready — High output, color-changing light with no gels to carry or moving parts to maintain.
- Stage-friendly accessories — Fixture is freestanding with optional accessory holder. Lightweight tubular yoke supports mounting to a pipe, truss, or stand. Available barndoors, top hats, half top hats, egg crate louvers, and gel frames slide into accessory holder for easy insertion and removal.
- Interchangeable lenses — Spread lenses of 8°, 13°, 23°, 40°, 63°, and an asymmetric 5° x 17° support a variety of photometric distributions. Simply slot spread lenses behind accessory holder and secure with built-in toggle lens retainers.
- Simple fixture positioning in permanent installations — Rugged, slim-profile mounting bracket offers pre-tapped holes for bolting fixture to a substrate. Mounting bracket allows fixture rotation through a full 360°. Side locking T-Handle bolt reliably secures fixture.
- Universal power input range — ColorReach TR Powercore accepts a universal power input range of 100 – 240 VAC, allowing simple, location-independent installation.
- Industry-leading controls — ColorReach TR Powercore works seamlessly with the complete Philips line of controllers, including iPlayer 3 and Light System Manager, as well as third-party controllers.



For detailed product information, please refer to the ColorReach TR Powercore Product Guide at [www.philipscolorkinetics.com/ls/rgb/colorreachtr/](http://www.philipscolorkinetics.com/ls/rgb/colorreachtr/)



## Specifications

Due to continuous improvements and innovations, specifications may change without notice.

Item	Specification	Details
Output	Lumens*	5211 (full unit, no spread lens)
	LED Channels	Red / Green / Blue
	Mixing Distance	50 ft (15.2 m) to uniform light
	Lumen Maintenance†	90,000 hours L50 @ 25° C    68,000 hours L50 @ 50° C
Electrical	Input Voltage	100 – 240 VAC, auto-switching, 50 / 60 Hz via Data Enabler Pro
	Power Consumption	290 W maximum at full output, steady state
Control	Interface	Data Enabler Pro (DMX / Ethernet) Fixture firmware addressable 8- or 16-bit control
	Control System	Philips full range of controllers, including Light System Manager and iPlayer 3, or third-party controllers
Physical	Dimensions (Height x Width x Depth)	20.5 x 28.9 x 4.8 in (521 x 734 x 122 mm)
	Effective Projected Area (EPA)	0.42 m <sup>2</sup>
	Weight	75 lb (34 kg)
	Housing	Die-cast aluminium, powder-coated finish
	Lens	Tempered glass
	Fixture Connections	Integrated 12 ft (3.7 m) leader cable with flying leads
	Temperature Ranges	-40° – 122° F (-40° – 50° C) Operating -4° – 122° F (-20° – 50° C) Startup -40° – 176° F (-40° – 80° C) Storage
	Humidity	0 – 95%, non-condensing
Certification and Safety	Certification	UL / cUL, FCC Class A, CE
	Environment	Dry / Damp Location

\* Lumen measurement complies with IES LM-79-08

† L50 = 50% lumen maintenance (when light output drops below 50% of initial output). Ambient luminaire temperatures specified. Lumen maintenance calculations are based on lifetime prediction graphs supplied by LED source manufacturers. Calculations for white-light LED fixtures are based on measurements that comply with IES LM-80-08 testing procedures. Refer to [www.philipscolorkinetics.com/support/appnotes/lm-80-08.pdf](http://www.philipscolorkinetics.com/support/appnotes/lm-80-08.pdf) for more information. See ColorReach Powercore Product Guide for specific applications.



CHROMACORE<sup>®</sup> | OPTIBIN<sup>®</sup> | POWERCORE<sup>®</sup>  
CKTECHNOLOGY | CKTECHNOLOGY | CKTECHNOLOGY

## Fixtures and Data Enabler Pro

Item	Type	Item Number	Philips 12NC
ColorReach TR Powercore <i>Includes integrated 12 ft (3.7 m) Leader Cable</i>	UL / cUL, CE / PSE	123-000016-00	910503700771
Data Enabler Pro	3/4 in / 1/2 in NPT (U.S. trade size conduit)	106-000004-00	910503701210
	PG21 / PG13 (metric size)	106-000004-01	910503701211

Use Item Number when ordering in North America.

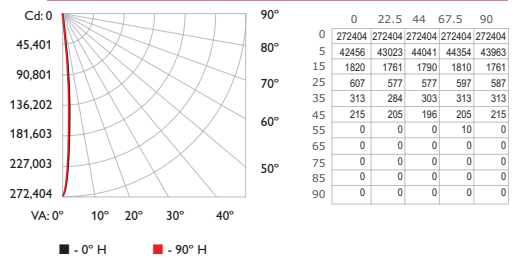


Philips Color Kinetics  
3 Burlington Woods Drive  
Burlington, Massachusetts 01803 USA  
Tel 888.385.5742  
Tel 617.423.9999  
Fax 617.423.9998  
[www.philipscolorkinetics.com](http://www.philipscolorkinetics.com)

## Photometrics

5° native (no spread lens), full unit

### Polar Candela Distribution



### Illuminance at Distance

	Center Beam fc	Beam Width
4.0 ft	17025 fc	0.4 ft    0.4 ft
8.0 ft	4256 fc	0.8 ft    0.8 ft
12.0 ft	1892 fc	1.1 ft    1.2 ft
16.0 ft	1064 fc	1.5 ft    1.6 ft
20.0 ft	681 fc	1.9 ft    1.9 ft
24.0 ft	473 fc	2.3 ft    2.3 ft

522 ft (159.1 m) 1 fc maximum distance  
■ Vert. Spread: 5.4°  
■ Horiz. Spread: 5.6°

LED	Lumens	Efficacy
RGB	5211	17.97

For lux multiply fc by 10.7



See the ColorReach TR Powercore Product Guide for complete photometric information.

## Accessories

Item	Type	Item Number	Philips 12NC
Accessory Holder <i>Includes yoke and hardware</i>	Black Finish	120-000090-00	910503700792
Spread Lens	8°	120-000102-05	910503701016
	13°	120-000102-00	910503701011
	23°	120-000102-01	910503701012
	40°	120-000102-02	910503701013
	63°	120-000102-03	910503701014
	Asymmetric (5° x 17°)	120-000102-04	910503701015
Half Top Hat	Black Finish	120-000093-00	910503700795
Top Hat	Black Finish	120-000092-00	910503700794
Egg Crate Louver	Black Finish	120-000091-00	910503700793
Barndoor	Black Finish	120-000094-00	910503700796
Gel Frame	Black Finish	120-000095-00	910503700797

Use Item Number when ordering in North America.

Copyright © 2009 – 2011 Philips Solid-State Lighting Solutions, Inc. All rights reserved. Chromacore, Chromasic, CK, the CK logo, Color Kinetics, the Color Kinetics logo, ColorBlast, ColorBlaze, ColorBurst, eW Fuse, ColorGraze, ColorPlay, ColorReach, iW Reach, eW Reach, DIMand, EssentialWhite, eW, iColor, iColor Cove, IntelliWhite, iW, iPlayer, Optibin, and Powercore are either registered trademarks or trademarks of Philips Solid-State Lighting Solutions, Inc. in the United States and / or other countries. All other brand or product names are trademarks or registered trademarks of their respective owners. Due to continuous improvements and innovations, specifications may change without notice.

DAS-000048-01 R03 07-12