



Date: _____ Type: _____

Firm Name: _____

Project: _____

ColorGraze QLX Powercore

15° x 30° beam angle

Performance linear exterior LED wall grazing fixture with intelligent color light

Features outstanding light output at reduced power levels for the right balance between performance and price. Low-profile housing, connectorized cabling, a universal power input range, and direct line-voltage operation make fixtures easy to install and operate.

- Available in four standard lengths and five standard beam angles. Addressable in 1 ft (305 mm) segments for fine control of color-changing effects and light shows.
- Delivers up to lumens of color-changing light per foot. Superior beam quality offers striation-free saturation for several feet from fixture

placement with no visible light scalloping between fixtures.

- Convenient push-and-click connectors let you easily and rapidly install Leader Cables and Jumper Cables. Constant torque locking hinges offer simple and consistent position control from various angles.
- Accepts a power input range of 100 – 277 VAC for consistent installation in any location.

For detailed product information, please refer to the ColorGraze Powercore Family Product Guide at www.philipscolorkinetics.com/ls/rgb/colorgrazeqlxpowercore/

Specifications Due to continuous improvements and innovations, specifications may change without notice.

Item	Specification	1 ft (305 mm)	2 ft (610 mm)	3 ft (914 mm)	4 ft (1219 mm)
Output	Lumens*	407	814	1221	1628
	LED Channels	Red / Green / Blue			
	Lumen Maintenance†	80,000 hours L70 @ 25° C	60,000 hours L70 @ 50° C	100,000 hours L50 @ 25° C	80,000 hours L50 @ 50° C
Electrical	Input Voltage	100 – 277 VAC, auto-ranging, 50 / 60 Hz			
	Power Consumption	15 W max. at full output, steady state	30 W max. at full output, steady state	45 W max. at full output, steady state	60 W max. at full output, steady state
Control	Interface	Data Enabler Pro (DMX or Ethernet)			
	Control System	Philips Color Kinetics full range of controllers, including Light System Manager, iPlayer 3, and ColorDial Pro, or third-party controllers			
Physical	Dimensions (Height x Width x Depth)	2.7 x 12 x 2.8 in (69 x 305 x 71 mm)	2.7 x 24 x 2.8 in (69 x 610 x 71 mm)	2.7 x 36 x 2.8 in (69 x 914 x 71 mm)	2.7 x 48 x 2.8 in (69 x 1219 x 71 mm)
	Weight	2.1 lb (1.0 kg)	4.6 lb (2.1 kg)	7.1 lb (3.2 kg)	9.3 lb (4.2 kg)
	Housing	Extruded anodized aluminum			
	Lens	Clear polycarbonate			
	Fixture Connectors	Integral male / female waterproof connectors			
	Mounting	Multi-positional, constant torque locking hinges			
	Temperature	-40° – 122° F (-40° – 50° C) Operating -4° – 122° F (-20° – 50° C) Startup -40° – 176° F (-40° – 80° C) Storage			
	Humidity	0 – 95%, non-condensing			
Certification and Safety	Certification	UL / cUL, FCC Class A, CE, PSE, C-Tick			
	Environment	Dry / Damp / Wet Location, IP66			

* 1 ft (305 mm) lumen output measurements comply with IES LM-79-08 testing procedures. 2 ft (610 mm), 3 ft (914 mm), and 4 ft (1219 mm) measurements are estimated based on the 1 ft (305 mm) measurements.

† L70 = 70% lumen maintenance (when light output drops below 70% of initial output). L50 = 50% lumen maintenance (when light output drops below 50% of initial output). Ambient luminaire temperatures specified. Lumen maintenance calculations are based on lifetime prediction graphs supplied by LED source manufacturers. Calculations for white-light LED fixtures are based on measurements that comply with IES LM-80-08 testing procedures. Refer to www.philipscolorkinetics.com/support/appnotes/lm-80-08.pdf for more information.



PHILIPS

Fixtures

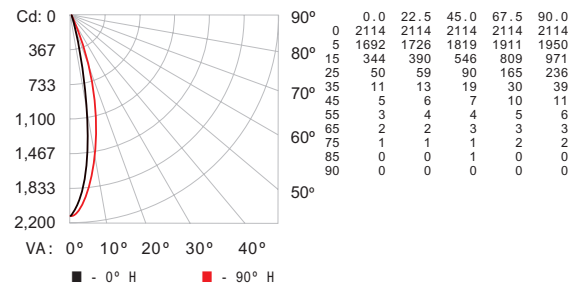
Item	Beam Angle	Item Number	Philips 12NC
ColorGrazQLX Powercore 1 ft (305 mm)	9° x 9°	123-000079-20	910503703347
	10° x 60°	123-000079-21	910503703348
	15° x 30°	123-000079-22	910503703349
	30° x 60°	123-000079-23	910503703350
	60° x 30°	123-000079-24	910503703351
ColorGrazQLX Powercore 2 ft (610 mm)	9° x 9°	123-000079-25	910503703352
	10° x 60°	123-000079-26	910503703353
	15° x 30°	123-000079-27	910503703354
	30° x 60°	123-000079-28	910503703355
ColorGrazQLX Powercore 3 ft (914 mm)	60° x 30°	123-000079-29	910503703356
	9° x 9°	123-000079-30	910503703357
	10° x 60°	123-000079-31	910503703358
	15° x 30°	123-000079-32	910503703359
ColorGrazQLX Powercore 4 ft (1219 mm)	30° x 60°	123-000079-33	910503703360
	60° x 30°	123-000079-34	910503703361
	9° x 9°	123-000079-35	910503703362
	10° x 60°	123-000079-36	910503703363
ColorGrazQLX Powercore 4 ft (1219 mm)	15° x 30°	123-000079-37	910503703364
	30° x 60°	123-000079-38	910503703365
	60° x 30°	123-000079-39	910503703366

Use Item Number when ordering in North America.

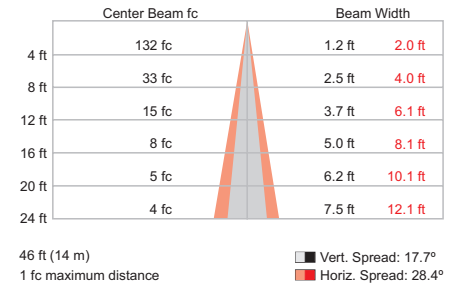
Photometrics

ColorGrazQLX Powercore
1 ft (305 mm), 15° x 30° beam angle

Polar Candela Distribution



Illuminance at Distance



LED	Lumens	Efficacy
RGB	407	20.7

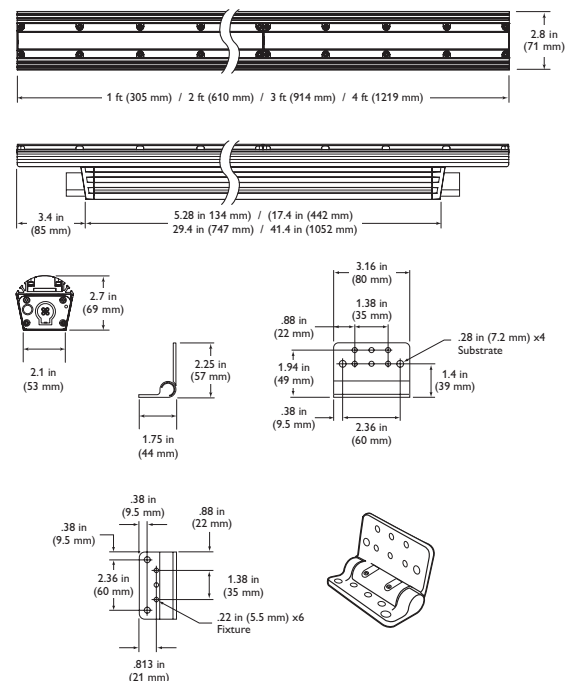
For lux multiply fc by 10.7

Accessories and Data Enabler Pro

Item	Type	Size	Item Number	Philips 12NC
Leader Cable with Terminator	UL / cUL	10 ft (3.0 m)	108-000055-03	910503704066
		50 ft (15.2 m)	108-000055-00	910503703137
	CE / PSE	10 ft (3.0 m)	108-000055-04	910503704067
		50 ft (15.2 m)	108-000055-01	910503704064
Jumper Cable	UL / cUL	End-to-End	108-000057-00	910503703139
		1 ft (305 mm)	108-000057-03	910503704076
		5 ft (1.5 m)	108-000057-06	910503704079
	CE / PSE	10 ft (3.0 m)	108-000057-09	910503704082
		End-to-End	108-000057-01	910503704074
		1 ft (305 mm)	108-000057-04	910503704077
Glare Shield		5 ft (1.5 m)	108-000057-07	910503704080
		10 ft (3.0 m)	108-000057-10	910503704083
		1 ft (305 mm)	120-000081-00	910503700745
		2 ft (610 mm)	120-000081-01	910503700746
Additional Terminators	Quantity 10	3 ft (914 mm)	120-000081-02	910503700747
		4 ft (1219 mm)	120-000081-03	910503700748
		4 ft (1219 mm)	120-000081-03	910503700748
Additional Terminators	Quantity 10	120-000157-00	910503703142	
Additional Hinge	Quantity 1	120-000098-00	910503700772	
Data Enabler Pro	3/4 in / 1/2 in NPT (U.S. trade size conduit)	106-000004-00	910503701210	
	PG21 / PG13 (metric size conduit)	106-000004-01	910503701211	

Use Item Number when ordering in North America.

Dimensions



Philips Color Kinetics
3 Burlington Woods Drive
Burlington, Massachusetts 01803 USA
Tel 888.385.5742
Tel 617.423.9999
Fax 617.423.9998
www.philipscolorkinetics.com

Copyright © 2013 Philips Solid-State Lighting Solutions, Inc. All rights reserved.
Chromacore, Chromasic, CK, the CK logo, Color Kinetics, the Color Kinetics logo, ColorBlast, ColorBurst, eVW Fuse, ColorGrazQLX, ColorPlay, ColorReach, iW Reach, eW Reach, ColorBlaze, ColorBurst, eVW Fuse, ColorGrazQLX, ColorPlay, ColorReach, iW Reach, eW Reach, DIMand, EssentialWhite, eVW, iColor, iColor Cove, IntelliWhite, iW, iPlayer, Optibin, and Powercore are either registered trademarks or trademarks of Philips Solid-State Lighting Solutions, Inc. in the United States and / or other countries. All other brand or product names are trademarks or registered trademarks of their respective owners. Due to continuous improvements and innovations, specifications may change without notice.

DAS-000114-23 R00 02-13