



Date: _____ Type: _____

Firm Name: _____

Project: _____

ColorGraze MX Powercore

15° x 30° beam angle

Premium linear exterior LED wall grazing fixture with intelligent color light

Features the most light output in our line of color-changing LED grazing fixtures, for high-intensity multi-story façade and surface illumination. Low-profile housing, connectorized cabling, a universal power input range, and direct line-voltage operation make fixtures easy to install and operate.

- Available in four standard lengths and five standard beam angles. Addressable in 1 ft (305 mm) segments for fine control of color-changing effects and light shows.
- Delivers over 476 lumens of color-changing light per foot. Superior beam quality offers striation-free saturation for several feet from

fixture placement with no visible light scalloping between fixtures.

- Convenient push-and-click connectors let you easily and rapidly install Leader Cables and Jumper Cables. Constant torque locking hinges offer simple and consistent position control from various angles.
- Accepts a power input range of 100 – 277 VAC for consistent installation in any location.

For detailed product information, please refer to the ColorGraze Powercore Family Product Guide at www.philipscolorkinetics.com/ls/rgb/colorgrazemxpowercore/

Specifications Due to continuous improvements and innovations, specifications may change without notice.

| Item | Specification | 1 ft (305 mm) | 2 ft (610 mm) | 3 ft (914 mm) | 4 ft (1219 mm) |
|--------------------------|--|--|---|---|---|
| Output | Lumens* | 496 | 992 | 1488 | 1984 |
| | LED Channels | Red / Green / Blue | | | |
| | Lumen Maintenance† | 80,000 hours L70 @ 25° C 60,000 hours L70 @ 50° C 100,000 hours L50 @ 25° C 80,000 hours L50 @ 50° C | | | |
| Electrical | Input Voltage | 100 – 277 VAC, auto-ranging, 50 / 60 Hz | | | |
| | Power Consumption | 20 W max. at full output, steady state | 40 W max. at full output, steady state | 60 W max. at full output, steady state | 80 W max. at full output, steady state |
| Control | Interface | Data Enabler Pro (DMX or Ethernet) | | | |
| | Control System | Philips Color Kinetics full range of controllers, including Light System Manager, iPlayer 3, and ColorDial Pro, or third-party controllers | | | |
| Physical | Dimensions (Height x Width x Depth) | 2.7 x 12 x 2.8 in (69 x 305 x 71 mm) | 2.7 x 24 x 2.8 in (69 x 610 x 71 mm) | 2.7 x 36 x 2.8 in (69 x 914 x 71 mm) | 2.7 x 48 x 2.8 in (69 x 1219 x 71 mm) |
| | Weight | 2.1 lb (1.0 kg) | 4.6 lb (2.1 kg) | 7.1 lb (3.2 kg) | 9.3 lb (4.2 kg) |
| | Housing | Extruded anodized aluminum | | | |
| | Lens | Clear polycarbonate | | | |
| | Fixture Connectors | Integral male / female waterproof connectors | | | |
| | Mounting | Multi-positional, constant torque locking hinges | | | |
| | Temperature | -40° – 122° F (-40° – 50° C) Operating -4° – 122° F (-20° – 50° C) Startup -40° – 176° F (-40° – 80° C) Storage | | | |
| | Humidity | 0 – 95%, non-condensing | | | |
| | Fixture Run Lengths | To calculate fixture run lengths and total power consumption for your specific installation, download the Configuration Calculator from www.philipscolorkinetics.com/support/install_tool/ | | | |
| Certification and Safety | Certification | UL / cUL, FCC Class A, CE, PSE, C-Tick | | | |
| | Environment | Dry / Damp / Wet Location, IP66 | | | |

* 1 ft (305 mm) lumen output measurements comply with IES LM-79-08 testing procedures. 2 ft (610 mm), 3 ft (914 mm), and 4 ft (1219 mm) measurements are estimated based on the 1 ft (305 mm) measurements.

† L70 = 70% lumen maintenance (when light output drops below 70% of initial output). L50 = 50% lumen maintenance (when light output drops below 50% of initial output). Ambient luminaire temperatures specified. Lumen maintenance calculations are based on lifetime prediction graphs supplied by LED source manufacturers. Calculations for white-light LED fixtures are based on measurements that comply with IES LM-80-08 testing procedures. Refer to www.philipscolorkinetics.com/support/appnotes/lm-80-08.pdf for more information.



PHILIPS

Fixtures

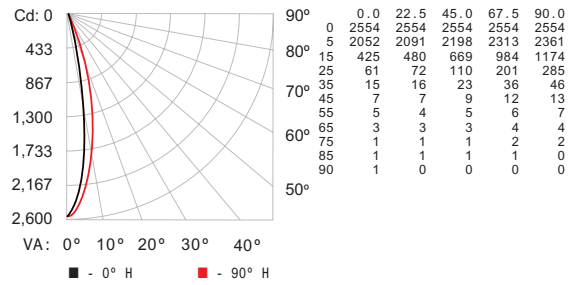
| Item | Beam Angle | Item Number | Philips 12NC |
|--|------------|---------------|--------------|
| ColorGraz MX Powercore 1 ft (305 mm) | 9° x 9° | 123-000079-00 | 910503703144 |
| | 10° x 60° | 123-000079-01 | 910503703331 |
| | 15° x 30° | 123-000079-02 | 910503703332 |
| | 30° x 60° | 123-000079-03 | 910503703333 |
| ColorGraz MX Powercore 2 ft (610 mm) | 60° x 30° | 123-000079-04 | 910503703334 |
| | 9° x 9° | 123-000079-05 | 910503703267 |
| | 10° x 60° | 123-000079-06 | 910503703335 |
| | 15° x 30° | 123-000079-07 | 910503703336 |
| ColorGraz MX Powercore 3 ft (914 mm) | 30° x 60° | 123-000079-08 | 910503703337 |
| | 60° x 30° | 123-000079-09 | 910503703338 |
| | 9° x 9° | 123-000079-10 | 910503703268 |
| | 10° x 60° | 123-000079-11 | 910503703339 |
| ColorGraz MX Powercore 4 ft (1219 mm) | 15° x 30° | 123-000079-12 | 910503703340 |
| | 30° x 60° | 123-000079-13 | 910503703341 |
| | 60° x 30° | 123-000079-14 | 910503703342 |
| | 9° x 9° | 123-000079-15 | 910503703269 |
| ColorGraz MX Powercore 4 ft (1219 mm) | 10° x 60° | 123-000079-16 | 910503703343 |
| | 15° x 30° | 123-000079-17 | 910503703344 |
| | 30° x 60° | 123-000079-18 | 910503703345 |
| | 60° x 30° | 123-000079-19 | 910503703346 |

Use Item Number when ordering in North America.

Photometrics

ColorGraz MX Powercore
1 ft (305 mm), 15° x 30° beam angle

Polar Candela Distribution



Illuminance at Distance

| | Center Beam fc | Beam Width |
|-------|----------------|-----------------------|
| 4 ft | 160 fc | 1.3 ft 2.0 ft |
| 8 ft | 40 fc | 2.5 ft 4.0 ft |
| 12 ft | 18 fc | 3.8 ft 6.1 ft |
| 16 ft | 10 fc | 5.0 ft 8.1 ft |
| 20 ft | 6 fc | 6.3 ft 10.1 ft |
| 24 ft | 4 fc | 7.5 ft 12.1 ft |

50 ft (15.2 m) 1 fc maximum distance

■ Vert. Spread: 17.9°
■ Horiz. Spread: 28.4°

| LED | Lumens | Efficacy |
|-----|--------|----------|
| RGB | 496 | 19.8 |

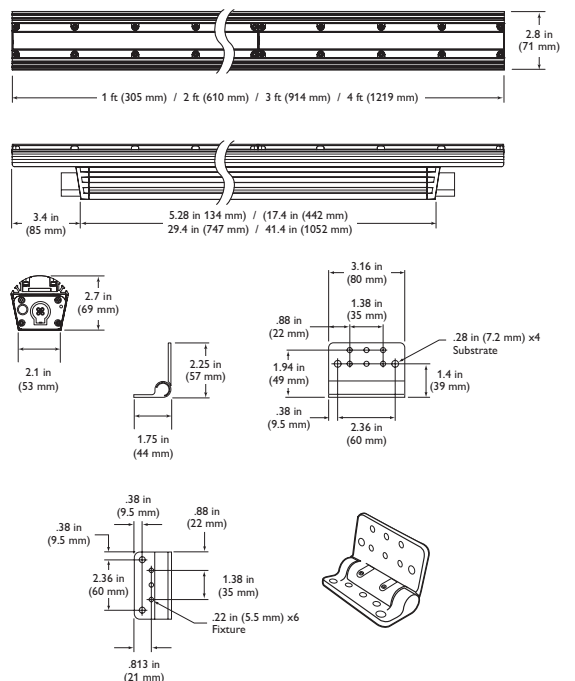
For lux multiply fc by 10.7

Accessories and Data Enabler Pro

| Item | Type | Size | Item Number | Philips 12NC |
|------------------------------|---|------------------|---------------|---------------|
| Leader Cable with Terminator | UL / cUL | 10 ft (3.0 m) | 108-000055-03 | 910503704066 |
| | | 50 ft (15.2 m) | 108-000055-00 | 910503703137 |
| | CE / PSE | 10 ft (3.0 m) | 108-000055-04 | 910503704067 |
| | | 50 ft (15.2 m) | 108-000055-01 | 910503704064 |
| Jumper Cable | UL / cUL | End-to-End | 108-000057-00 | 910503703139 |
| | | 1 ft (305 mm) | 108-000057-03 | 910503704076 |
| | | 5 ft (1.5 m) | 108-000057-06 | 910503704079 |
| | CE / PSE | 10 ft (3.0 m) | 108-000057-09 | 910503704082 |
| | | End-to-End | 108-000057-01 | 910503704074 |
| | | 1 ft (305 mm) | 108-000057-04 | 910503704077 |
| Glare Shield | | 5 ft (1.5 m) | 108-000057-07 | 910503704080 |
| | | 10 ft (3.0 m) | 108-000057-10 | 910503704083 |
| | | 1 ft (305 mm) | 120-000081-00 | 910503700745 |
| | | 2 ft (610 mm) | 120-000081-01 | 910503700746 |
| Additional Terminators | Quantity 10 | 3 ft (914 mm) | 120-000081-02 | 910503700747 |
| | | 4 ft (1219 mm) | 120-000081-03 | 910503700748 |
| | | Additional Hinge | Quantity 1 | 120-000098-00 |
| Data Enabler Pro | 3/4 in / 1/2 in NPT (U.S. trade size conduit) | | 106-000004-00 | 910503701210 |
| | PG21 / PG13 (metric size conduit) | | 106-000004-01 | 910503701211 |

Use Item Number when ordering in North America.

Dimensions



Philips Color Kinetics
3 Burlington Woods Drive
Burlington, Massachusetts 01803 USA
Tel 888.385.5742
Tel 617.423.9999
Fax 617.423.9998
www.philipscolorkinetics.com

Copyright © 2014 Philips Solid-State Lighting Solutions, Inc. All rights reserved.
Chromacore, Chromasic, CK, the CK logo, Color Kinetics, the Color Kinetics logo, ColorBlast, ColorBlaze, ColorBurst, eVW Fuse, ColorGraz, ColorPlay, ColorReach, iW Reach, eW Reach, DIMand, EssentialWhite, eVW, iColor, iColor Cove, IntelliWhite, iV, iPlayer, Optibin, and Powercore are either registered trademarks or trademarks of Philips Solid-State Lighting Solutions, Inc. in the United States and / or other countries. All other brand or product names are trademarks or registered trademarks of their respective owners. Due to continuous improvements and innovations, specifications may change without notice.

DAS-000114-13 R01 06-14