



Date: _____ Type: _____

Firm Name: _____

Project: _____

ColorGraze MX4 Powercore

RGBA, 15° x 30° beam angle

Exterior premium LED wall grazing fixtures with extended color range

Intelligent, high-performance, RGBA fixtures offer an expanded palette of intensely saturated full-color light output in a variety of beam angles. Low-profile housing, connectorized cabling, a universal power input range, and direct line-voltage operation make fixtures easy to install and operate.

- Channels of amber LEDs seamlessly blend with channels of red, green, and blue LEDs. In addition to the millions of saturated colors achievable with RGB lighting fixtures, RGBA fixtures create intense yellows and an extended range of subtle pastel colors.

- Available in four standard lengths and five standard beam angles. Addressable in 305 mm (1 ft) segments for fine control of color-changing effects and light shows.
- Convenient push-and-click connectors let you easily and rapidly install Leader Cables and Jumper Cables.
- Accepts a power input range of 100 – 277 VAC for consistent installation in any location.

For detailed product information, please refer to the ColorGraze Powercore Family Product Guide at www.philipscolorkinetics.com/ls/rgb/colorgraze-mx4-powercore/

Specifications

Due to continuous improvements and innovations, specifications may change without notice.

Item	Specification	305 mm (1 ft)	610 mm (2 ft)	914 mm (3 ft)	1219 mm (4 ft)
Output	Lumens*	555	1110	1665	2220
	LED Channels	Red / Green / Blue / Amber			
	Lumen Maintenance†	70,000 hours L70 @ 25° C 65,000 hours L70 @ 50° C 75,000 hours L50 @ 25° C 70,000 hours L50 @ 50° C			
	Input Voltage	100 – 277 VAC, auto-ranging, 50 / 60 Hz			
	Power Consumption (Max. at full output, steady state)	18.5 W	37 W	55.5 W	74 W
Control	Interface	Data Enabler Pro (DMX or Ethernet)			
	Control System	Philips Color Kinetics full range of controllers, including Light System Manager, iPlayer 3, and ColorDial Pro, or third-party controllers			
Physical	Dimensions (Height x Width x Depth)	69 x 305 x 71 mm (2.7 x 12 x 2.8 in)	69 x 610 x 71 mm (2.7 x 24 x 2.8 in)	69 x 914 x 71 mm (2.7 x 36 x 2.8 in)	69 x 1219 x 71 mm (2.7 x 48 x 2.8 in)
	Weight	1.0 kg (2.1 lb)	2.1 kg (4.6 lb)	3.2 kg (7.1 lb)	4.2 kg (9.3 lb)
	Housing	Extruded anodized aluminum			
	Lens	Clear polycarbonate			
	Fixture Connectors	Integral male / female waterproof connectors			
	Mounting	Multi-positional, constant torque locking hinges			
	Temperature	-40° – 50° C (-40° – 122° F) Operating -20° – 50° C (-4° – 122° F) Startup -40° – 80° C (-40° – 176° F) Storage			
	Humidity	0 – 95%, non-condensing			
Fixture Run Lengths	To calculate fixture run lengths and total power consumption for your specific installation, download the Configuration Calculator from www.philipscolorkinetics.com/support/install_tool/				
Certification and Safety	Certification	UL / cUL, FCC Class A, CE, PSE, C-Tick, CQC			
	Environment	Dry / Damp / Wet Location, IP66			

* 305 mm (1 ft) lumen output measurements comply with IES LM-79-08 testing procedures.

610 mm (2 ft), 914 mm (3 ft), and 1219 mm (4 ft) measurements are estimated based on the 305 mm (1 ft) measurements.

† L70 = 70% lumen maintenance (when light output drops below 70% of initial output). L50 = 50% lumen maintenance (when light output drops below 50% of initial output). Ambient luminaire temperatures specified. Lumen maintenance calculations are based on lifetime prediction graphs supplied by LED source manufacturers. Calculations for white-light LED fixtures are based on measurements that comply with IES LM-80-08 testing procedures. Refer to www.philipscolorkinetics.com/support/appnotes/lm-80-08.pdf for more information.



PHILIPS

Fixtures

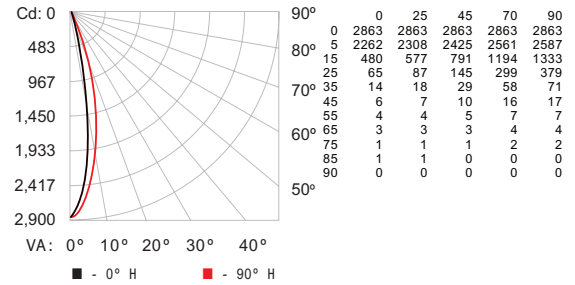
Item	Beam Angle	Item Number	Philips 12NC
ColorGraz MX4 Powercore RGBA 305 mm (1 ft)	9° x 9°	423-000002-00	910503704702
	10° x 60°	423-000002-01	910503704703
	15° x 30°	423-000002-02	910503704704
	30° x 60°	423-000002-03	910503704705
	60° x 30°	423-000002-04	910503704706
ColorGraz MX4 Powercore RGBA 610 mm (2 ft)	9° x 9°	423-000002-05	910503704707
	10° x 60°	423-000002-06	910503704708
	15° x 30°	423-000002-07	910503704709
	30° x 60°	423-000002-08	910503704710
	60° x 30°	423-000002-09	910503704711
ColorGraz MX4 Powercore RGBA 914 mm (3 ft)	9° x 9°	423-000002-10	910503704712
	10° x 60°	423-000002-11	910503704713
	15° x 30°	123-000002-12	910503704714
	30° x 60°	123-000002-13	910503704715
	60° x 30°	123-000002-14	910503704716
ColorGraz MX4 Powercore RGBA 1219 mm (4 ft)	9° x 9°	423-000002-15	910503704717
	10° x 60°	423-000002-16	910503704718
	15° x 30°	423-000002-17	910503704719
	30° x 60°	423-000002-18	910503704720
	60° x 30°	423-000002-19	910503704721

Use Item Number when ordering in North America.

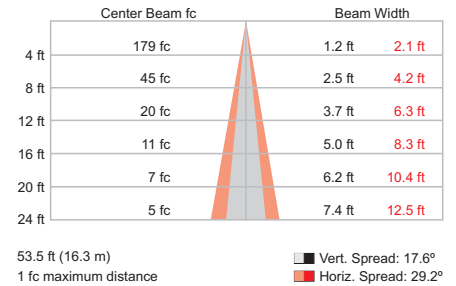
Photometrics

ColorGraz MX Powercore
RGBA, 305 mm (1 ft), 15° x 30° beam angle

Polar Candela Distribution



Illuminance at Distance



LED	Lumens	Efficacy
RGBA	554	30.9

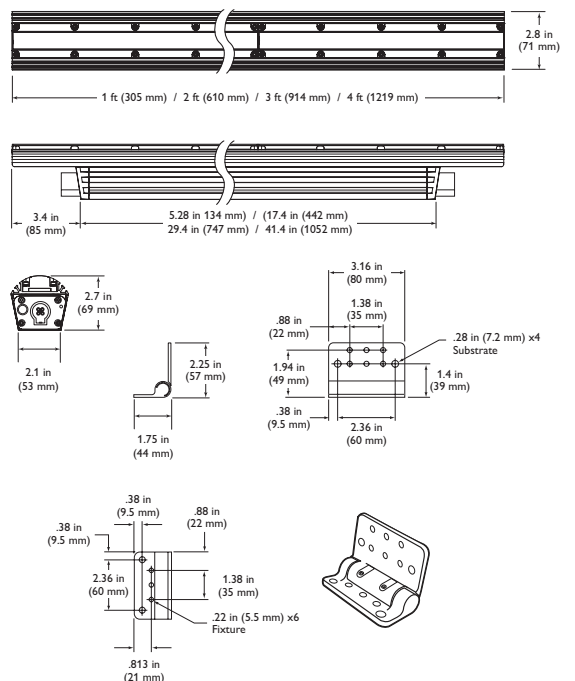
Accessories and Data Enabler Pro

Item	Type	Size	Item Number	Philips 12NC
Leader Cable with Terminator	UL / cUL	3.0 m (10 ft)	108-000055-03	910503704066
		15.2 m (50 ft)	108-000055-00	910503703137
	CE / PSE	3.0 m (10 ft)	108-000055-07	910503705065
		15.2 m (50 ft)	108-000055-06	910503705064
Jumper Cable	UL / cUL	End-to-End	108-000057-00	910503703139
		305 mm (1 ft)	108-000057-03	910503704076
		1.5 m (5 ft)	108-000057-06	910503704079
	CE / PSE	3.0 m (10 ft)	108-000057-09	910503704082
		End-to-End	108-000057-01	910503704074
		305 mm (1 ft)	108-000057-04	910503704077
Glare Shield		1.5 m (5 ft)	108-000057-07	910503704080
		3.0 m (10 ft)	108-000057-10	910503704083
		305 mm (1 ft)	120-000081-00	910503700745
		610 mm (2 ft)	120-000081-01	910503700746
Additional Terminators	Quantity 10	914 mm (3 ft)	120-000081-02	910503700747
		1219 mm (4 ft)	120-000081-03	910503700748
		1219 mm (4 ft)	120-000081-03	910503700748
Additional Terminators	Quantity 10		120-000157-00	910503703142
Additional Hinge	Quantity 1		120-000098-00	910503700772
Data Enabler Pro	PG21 / PG13 (metric size conduit)		106-000004-01	910503701211
	3/4 in / 1/2 in NPT (U.S. trade size conduit)		106-000004-00	910503701210

Use Item Number when ordering in North America.

Dimensions

For lux multiply fc by 10.7



Philips Color Kinetics
3 Burlington Woods Drive
Burlington, Massachusetts 01803 USA
Tel 888.385.5742
Tel 617.423.9999
Fax 617.423.9998
www.philipscolorkinetics.com

Copyright © 2014 Philips Solid-State Lighting Solutions, Inc. All rights reserved.
Chromacore, Chromasic, CK, the CK logo, Color Kinetics, the Color Kinetics logo, ColorBlast, ColorBlaze, ColorBurst, eW Fuse, ColorGraz, ColorPlay, ColorReach, iW Reach, eW Reach, DIMand, EssentialWhite, eW, iColor, iColor Cove, IntelliWhite, iV, iPlayer, Optibin, and Powercore are either registered trademarks or trademarks of Philips Solid-State Lighting Solutions, Inc. in the United States and / or other countries. All other brand or product names are trademarks or registered trademarks of their respective owners. Due to continuous improvements and innovations, specifications may change without notice.

DAS-000130-08 R00 1-14