

Color Dial Pro

Product Guide



ColorDial Pro

Easily configure and control LED light shows

ColorDial Pro is an Ethernet-based, stand-alone lighting controller and interface for intelligent RGB and intelligent white (iW) LED lighting luminaires from Color Kinetics. Featuring an enhanced LCD screen for configuring effects and simple dial-and-button controls, ColorDial Pro offers fingertip triggering of full-color light shows and dynamic lighting effects.

- Power over Ethernet for increased flexibility—Power over Ethernet (PoE) enables both electrical power and data to be transmitted over a single twisted-pair cable. Shared cabling reduces installation costs, decreases the space required for wires, and affords freedom of placement by eliminating wiring to a power source. ColorDial Pro works with the PoE-compliant switch or PoE injector offered by Color Kinetics, or with any PoE-compliant switch or injector.
- Simple installation with a single Ethernet connection—Mounts in included standard U.S. single-gang wall box. Uses a single CAT 5e cable for data and power with no additional wiring required.
- New Fixed White effect for iW luminaires—New Fixed White effect lets you control the brightness and color temperature (relative warmth or coolness) of intelligent white (iW) light LED luminaires from Color Kinetics.
- Eight onboard effects and 16 configurable scenes—ColorDial Pro uses onboard lighting effects, eliminating the need for an external data source. Select from eight effects, and adjust effect settings such as color, speed, and intensity as desired. Store up to 16 sets of effects and settings as scenes, eight for RGB and eight for iW. Recall scenes at the touch of a button.
- Expanded addressing—ColorDial Pro controls one DMX universe of 512 DMX channels.
- Fingertip dimming and on/off control—Easily adjust brightness from 0% - 100%, or turn connected lights on and off.
- Compatible with Ethernet Controller Keypad—Remotely trigger scenes, adjust brightness from 0% - 100%, and turn connected lights on and off.



Compact Design with Sleek Decora Faceplate

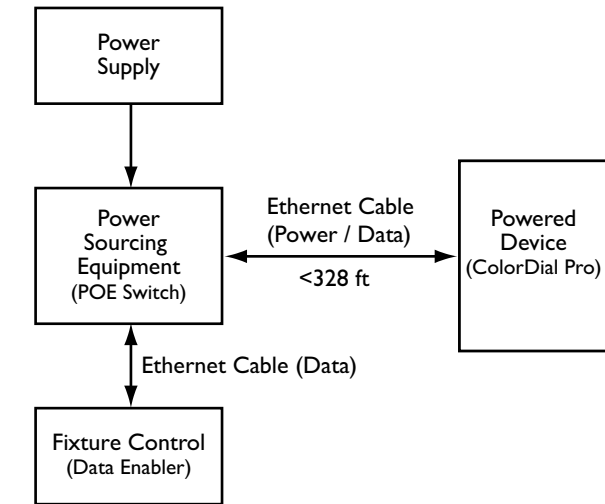
Compact design uses wall space efficiently. Decora faceplate hides mounting hardware for a clean look that blends with a variety of architectural styles.

The Power of Power over Ethernet

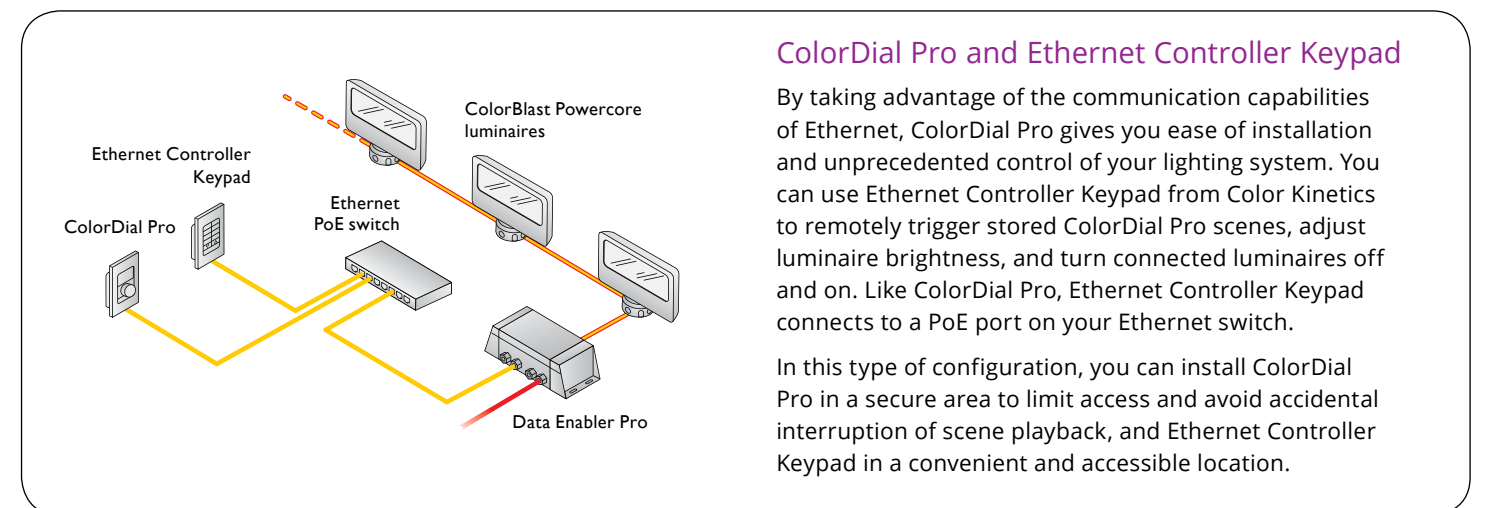
The IEEE 802.3af standard for Power over Ethernet (PoE) enables both electrical power and data to be transmitted over a single twisted-pair cable. ColorDial Pro is a PoE-compliant powered device that offers you convenience, increased flexibility, and simplified and inexpensive installation.

A New Standard of Flexibility

You can use ColorDial Pro two ways: with a PoE-compliant Ethernet switch, or with a standard Ethernet switch and PoE injector. Regardless of which method you use, you can position each ColorDial Pro up to 100 m (328 ft) from the switch. Since power is delivered over the same wire as the data, you do not need to use additional wiring or position the controller near an external power source.



If you're using a PoE switch, you can easily install ColorDial Pro using standard CAT-5e Ethernet cable simply by connecting ColorDial Pro to an available PoE port on the switch. If you're using a non-PoE switch, you must also attach a PoE injector to the Ethernet cable for the installation. Positioning the PoE injectors near the switch keeps all power and data sources together in the same location, and gives you maximum flexibility in positioning ColorDial Pro in a convenient location in your installation.



ColorDial Pro and Ethernet Controller Keypad

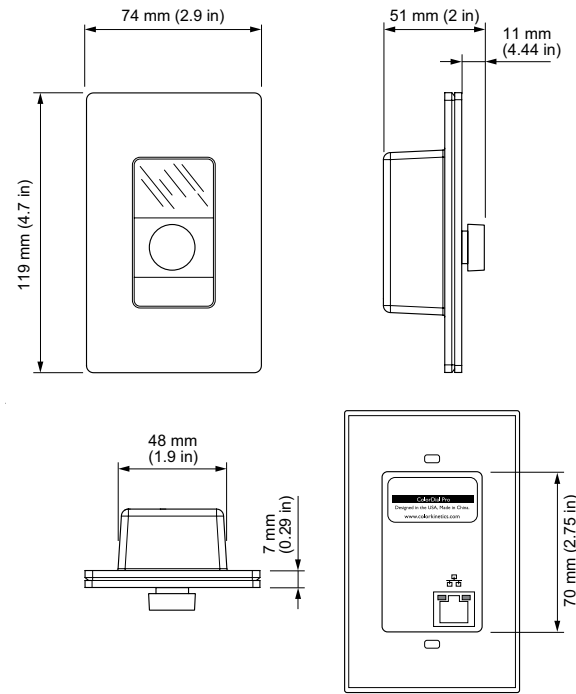
By taking advantage of the communication capabilities of Ethernet, ColorDial Pro gives you ease of installation and unprecedented control of your lighting system. You can use Ethernet Controller Keypad from Color Kinetics to remotely trigger stored ColorDial Pro scenes, adjust luminaire brightness, and turn connected luminaires off and on. Like ColorDial Pro, Ethernet Controller Keypad connects to a PoE port on your Ethernet switch.

In this type of configuration, you can install ColorDial Pro in a secure area to limit access and avoid accidental interruption of scene playback, and Ethernet Controller Keypad in a convenient and accessible location.

Specifications

Due to continuous improvements and innovations, specifications may change without notice.

Item	Specification	Details
Control	Ethernet	10BASE-T from any PoE- or IEEE 802.3af-compliant Ethernet switch. PoE injector required for use with non-IEEE 802.3af-compliant switches
Capability	Maximum RGB Nodes Supported	1 universe of 512 DMX addresses, for a total of 170 individually controllable RGB nodes
	Playback Output	Eight pre-programmed, modifiable effects
	Storage	16 scenes (sets of effects and effect settings), 8 for RGB luminaires and 8 for iW luminaires
Physical	Dimensions (Height x Width x Depth)	Housing: 118 x 76 x 38 mm (4.63 x 3 x 1.5 in) Faceplate: 118 x 76 x 3 mm (4.63 x 3 x .13 in)
	Weight	59 g (2.06 oz)
	Housing	Medium matte white plastic Decora style faceplate Mounts in standard single-gang wall box
	Connector/Cable	RJ45 Port, CAT 5e Data Cable (not included)
	Operating Temperature	-10 to 40 °C (14 to 104 °F)
	Humidity	0 to 95%, non-condensing
Certification and Safety	Certification	UL/cUL, CE, CQC, C-Tick, SAA
	Environment	Dry Location, IP40



Included in the box

- ColorDial Pro
- Standard single-gang wall box
- (2) self-threading flathead countersunk M2.5 screws
- Installation Instructions

ColorDial Pro and Accessories

ColorDial Pro is part of a complete system that includes:

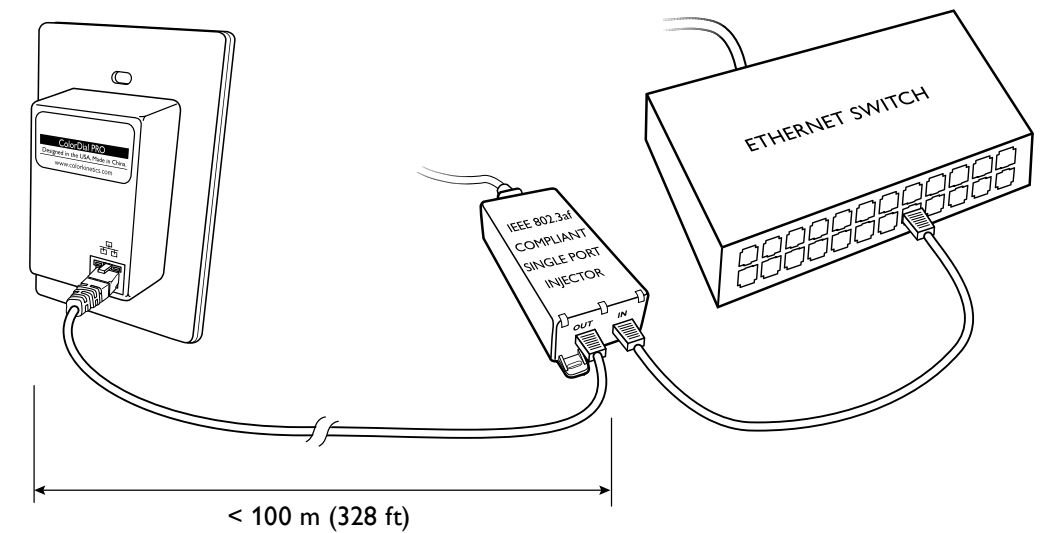
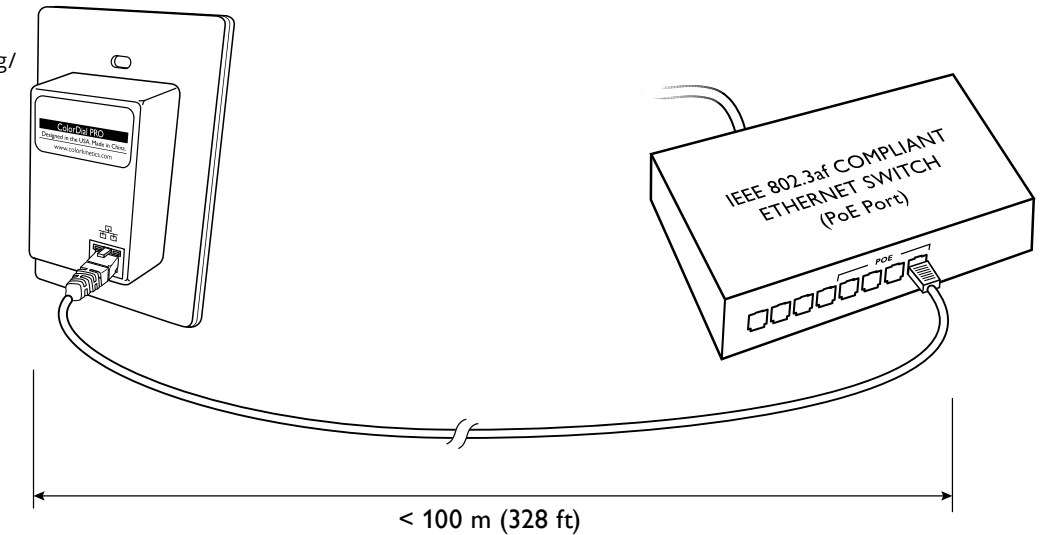
- A PoE-compliant switch to supply data and power to the ColorDial Pro, or a non-PoE switch with one PoE-compliant power injector.
- CAT 5e data cable to connect the ColorDial Pro to switch or PoE injector.

Item	Type	Item Number	12NC
ColorDial Pro		103-000025-00	910503700790
Power over Ethernet Switch	4 Power over Ethernet ports, 8 ports total	120-000084-01	910503702557
Power over Ethernet Injector	North America Power Cord	109-000029-00	910503700383
	Europe Power Cord	109-000029-01	910503700384

Use Item Number when ordering in North America.

Connect to IEEE 802.3af compliant PoE switch or PoE Injector and Ethernet switch

For detailed wiring diagrams visit www.colorkinetics.com/support/wiring/



Installation

ColorDial Pro requires data and power over a single Ethernet connection. A PoE-compliant Ethernet switch delivers both data and power over a standard CAT 5e data cable. Installations with non-PoE switches require a PoE-compliant power source, such as a PoE Injector.

Owner/User Responsibilities

It is the responsibility of the contractor, installer, purchaser, owner, and user to install, maintain, and operate ColorDial Pro in such a manner as to comply with all applicable codes, state and local laws, ordinances, and regulations. Consult with the appropriate electrical inspector to ensure compliance.

Prepare for the Installation

ColorDial™ Pro is a simple-to-operate lighting controller designed for use with intelligent RGB and intelligent white (iW) LED lighting luminaires from Color Kinetics. With ColorDial Pro, you can play back and modify a set of 16 scenes, eight for RGB luminaires and eight for iW luminaires. A scene consists of a built-in effect and user-editable effect settings. Because ColorDial Pro does not need to be wired to a power source, it can be installed in a convenient but unobtrusive location, up to 100 m (328 ft) from the switch.

Ensure that a PoE-compliant Ethernet switch with the necessary number of available ports is installed in the lighting system. For networks with non-PoE switches, ensure that a PoE-compliant power injector is installed for each controller. Make sure that additional components, such as mounting screws and CAT 5e data cables of the appropriate length, are also available.

Consider these guidelines when planning the installation:

- ColorDial Pro is designed for indoor use only.
- Create a layout plan that starts with the location of the Ethernet switch and, if applicable, the PoE injector(s), and includes all leader cables, CAT 5e data cables, and luminaires.
- Ensure that a free Ethernet switch port is available to connect ColorDial Pro to the lighting system. Installations with non-PoE Ethernet switches require the use of a PoE-compliant power injector.
- If using a non-PoE Ethernet switch, plan to install the required PoE injector(s) near the switch.

Assemble Additional Items

The following additional items are required to mount and connect ColorDial Pro.

Wiring and Power Supplies

One CAT 5e Data Cable (unshielded twisted pair with an RJ45 connector, to a maximum length of 100 m or 328 ft) is required to connect ColorDial Pro to an available port on a PoE-compliant Ethernet switch or to a PoE injector. A PoE injector also requires an additional cable to connect the injector to the Ethernet switch, and a power cord to connect the injector to a power source. Refer to the PoE injector's installation or user guide for complete installation instructions.

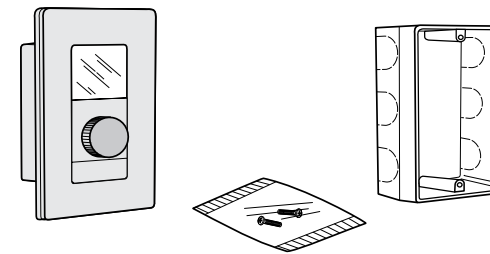
Junction Boxes and Mounting Screws

A standard US junction box may be used in North America. The junction box included with ColorDial Pro can also be used outside of North America. You will need the provided flat-head screws for securing the ColorDial Pro housing to the junction box.

✳ Refer to the ColorDial Pro Installation Instructions for specific warning and caution statements.

Included in the box

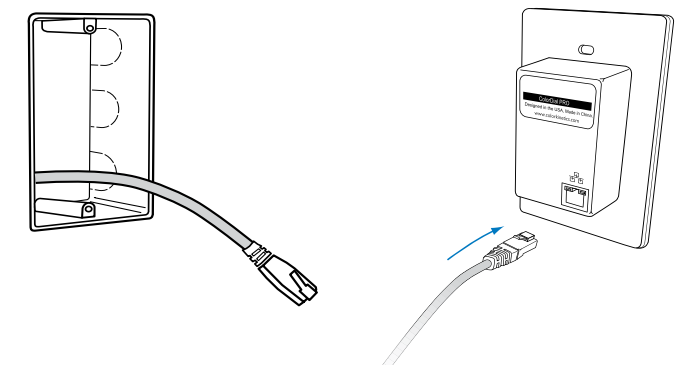
- ColorDial Pro
- Standard single-gang wall box
- (2) self-threading flathead countersunk M2.5 screws
- Installation Instructions



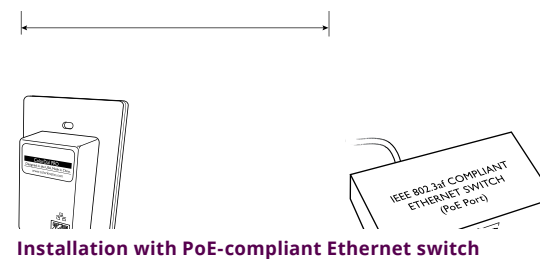
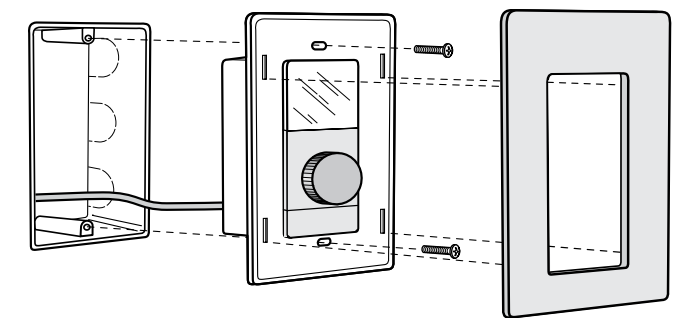
Mount and Connect ColorDial Pro

Make sure the power is OFF before mounting and connecting ColorDial Pro.

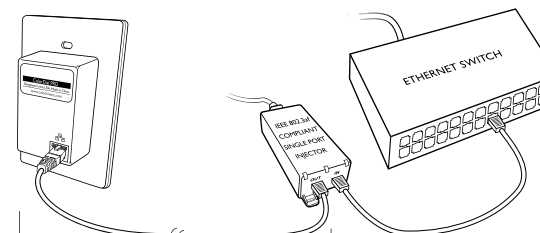
1. Carefully inspect the box containing ColorDial Pro and the contents for any damage that may have occurred in transit.
2. A standard US junction box may be used in North America. If using the provided junction box outside of North America, snap out a knock-out on a side that will not be mounted to the structural component.
3. Thread the CAT 5e data cable through the knock-out. Insert the RJ45 connector into the port on the back of the ColorDial Pro. When active, two indicator lamps indicate Ethernet link (green) and Ethernet activity (yellow).



4. Remove the faceplate from ColorDial Pro by grasping the top or bottom edge of the faceplate and prying it gently away from ColorDial Pro.
5. Align the screw holes in ColorDial Pro with the screw holes in the wall box.
6. Use the two provided mounting screws to attach ColorDial Pro to the junction box and into the structural component.
7. Replace the faceplate by pressing it gently onto ColorDial Pro until it snaps into place.



Installation with PoE-compliant Ethernet switch



Installation with non-PoE switch and PoE injector









Make Cable Connections

Connect the CAT 5e data cable to an available port on a PoE-compliant Ethernet switch installed in the network.

If using a non-PoE Ethernet switch, connect the CAT 5e data cable to the output port on a PoE injector. The PoE injector must be connected to the Ethernet switch and AC outlet in accordance with the manufacturer's installation instructions.

Using ColorDial Pro

A simple LCD screen provides information on the currently playing scene and the brightness of connected lights (0% – 100%). Together, the rotary dial and faceplate button let you control and modify scene playback, lock ColorDial Pro to prevent accidental interruption of scene playback, and access menus for selecting, editing, and storing scenes and for changing system settings. ColorDial Pro offers eight effects:

RGB Effects		iW Effect
 Fixed Color	 Custom Wash	 Fixed White
 Variable Color	 Random Color	
 Color Wash	 RGB White	
 Rainbow Wash		

Effect settings differ for different effects. For example, you can change the speed and direction of the Color Wash effect, or the temperature of the White effect.

For complete instructions on how to use ColorDial Pro, please refer to the ColorDial Pro User Guide. The User Guide is included in the ColorDial Pro box, and it can also be downloaded as a PDF from www.colorkinetics.com/ls/controllers/colordialpro/.

Triggering ColorDial Pro Scenes with Ethernet Controller Keypad

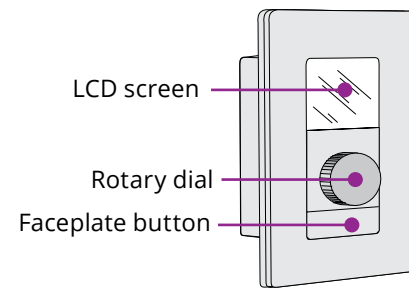
You can use Ethernet Controller Keypad, a wall-mounted, PoE-compliant keypad from Color Kinetics, to trigger ColorDial Pro scenes. Ethernet Controller Keypad gives you direct push-button access to any stored scene without requiring you to scroll through scenes or navigate menus. You can also use the Keypad to adjust luminaire brightness, and turn connected luminaires off and on.

When you use Ethernet Controller Keypad as your triggering device, you can install ColorDial Pro in a secure area to limit access and avoid accidental interruption of scene playback. For convenient access to scene control, you can install one or more Ethernet Controller Keypads in a single installation. The Show buttons on each Keypad, 1 – 8, trigger the scenes, 1 – 8, stored on ColorDial Pro.

Install Ethernet Controller Keypad within your Ethernet network, following the Ethernet Controller Keypad Installation Instructions, which you can download from www.colorkinetics.com/ls/controllers/enetkeypad/

Maintenance

Clean the faceplate and buttons with a soft, damp cloth.



© 2019 Signify Holding. All rights reserved. Specifications are subject to change without notice. No representation or warranty as to the accuracy or completeness of the information included herein is given and any liability for any action in reliance thereon is disclaimed. All other trademarks are owned by Signify Holding or their respective owners. Throughout this brochure, installation photos of Color Kinetics lighting products are featured—and in minor instances, products from other companies may be included in those photos.

Color Kinetics
www.colorkinetics.com