



Date: _____ Type: _____

Firm Name: _____

Project: _____

ColorBurst Compact Powercore

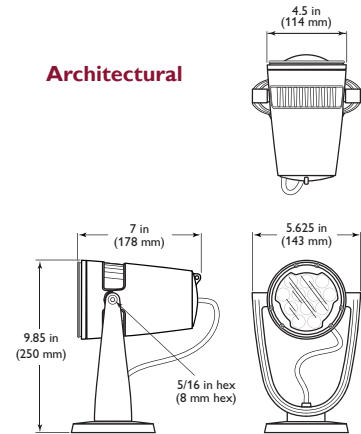
8° native (no spread lens)

Compact architectural and landscape LED spotlight with intelligent color light

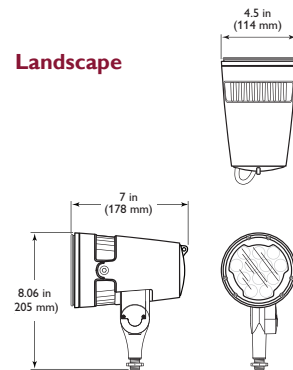
ColorBurst Compact Powercore is a high-output, exterior-rated LED lighting fixture designed for accent and site lighting. Architectural and Landscape fixtures deliver full-color light output of up to 498 lumens to support a range of uplighting, floodlighting, and decorative lighting applications.

- Integrates patented Powercore technology — Powercore technology rapidly, efficiently, and accurately controls power output to fixtures directly from line voltage. The Philips Color Kinetics Data Enabler Pro merges line voltage and control data and delivers them to the fixture over a single standard cable, dramatically simplifying installation and lowering total system cost.
- Flexible mounting options in architectural applications — ColorBurst Compact Powercore Architectural fixtures feature an integrated yoke with canopy base for mounting to standard US junction boxes or directly to a flat surface or substrate as local codes permit.
- Support for a wide range of landscape applications — Landscape fixtures feature a 1/2 in NPT threaded post for mounting to standard junction boxes and third-party mounting accessories for use in softscape and hardscape applications.
- Outdoor rated — With a rugged, die-cast aluminum housing fully sealed for maximum fixture life and IP66-rated for outdoor applications, ColorBurst Compact Powercore is ideal for use in damp or wet locations.
- Exchangeable optics and accessories — Available 14°, 23°, 41°, and asymmetric 10° x 41° spread lenses support a wide range of lighting applications. Native 8° beam angle offers extended light projection.
- Universal power input range — ColorBurst Compact Powercore accepts a universal power input range of 100 to 240 VAC, allowing long fixture runs and consistent installation in any location around the world.

Architectural



Landscape



- Versatile light positioning — ColorBurst Compact Powercore fixtures can tilt through a full 180°. Architectural fixtures can also rotate through a full 360° for precise aiming.
- Industry-leading controls — ColorBurst Compact Powercore works seamlessly with the complete line of Philips Color Kinetics controllers, including Light System Manager, iPlayer 3, and ColorDial Pro, as well as third-party controllers.

For detailed product information, please refer to the ColorBurst Compact Powercore Product Guide at www.philipscolorkinetics.com/ls/rgb/colorburstcompactpc/

PHILIPS

Specifications

Due to continuous improvements and innovations, specifications may change without notice.

Item	Specification	Details
	Lumens*	498
	LED Channels	Red / Green / Blue
	Lumen Maintenance†	100,000 hours L50 @ 25° C 90,000 hours L50 @ 50° C
Electrical	Input Voltage	100 – 240 VAC, auto-switching, 50 / 60 Hz via Data Enabler Pro
	Power Consumption	17.5 W maximum at full output, steady state
Control	Interface	Data Enabler Pro (DMX / Ethernet)
	Control System	Philips full range of controllers, including Light System Manager, iPlayer 3, and ColorDial Pro, or third-party controllers
Physical	Dimensions (Height x Width x Depth)	9.85 x 4.5 x 7.0 in (250 x 114 x 178 mm) Architectural 8.06 x 4.5 x 7.0 in (205 x 114 x 178 mm) Landscape
	Weight	8.7 lb (3.9 kg) Architectural 4.4 lb (2.0 kg) Landscape
	Housing	Die-cast aluminium, powder-coated finish
	Lens	Tempered glass
	Fixture Connections	6 ft (1.8 m) unified power / data cable with flying leads Architectural 6 in (152 mm) flying leads Landscape
	Temperature Ranges	-40° – 122° F (-40° – 50° C) Operating -4° – 122° F (-20° – 50° C) Startup -40° – 176° F (-40° – 80° C) Storage
	Vibration Resistance	ANSI C136.31 (Architectural only)
	Humidity	0 – 95%, non-condensing
	Fixture Run Lengths	To calculate fixture run lengths and total power consumption for your specific installation, download the Configuration Calculator from www.philipscolorkinetics.com/support/install_tool/
	Certification and Safety	Certification UL / cUL, FCC Class A, CE, PSE, C-Tick, CQC, SAA Environment Dry / Damp / Wet Location, IP66

* Lumen measurement complies with IES LM-79-08 testing procedures.

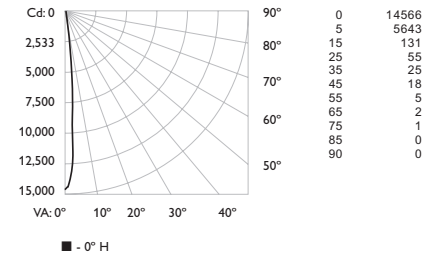
† L50 = 50% lumen maintenance (when light output drops below 50% of initial output). Ambient luminaire temperatures specified. Lumen maintenance calculations are based on lifetime prediction graphs supplied by LED source manufacturers. Calculations for white-light LED fixtures are based on measurements that comply with IES LM-80-08 testing procedures. Refer to www.philipscolorkinetics.com/support/appnotes/lm-80-08.pdf for more information.



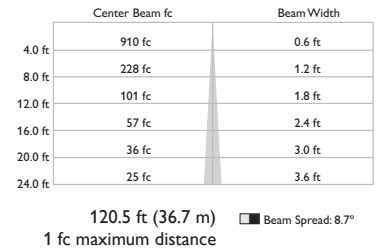
Photometrics

ColorBurst Compact Powercore
8° native (no spread lens)

Polar Candela Distribution



Illuminance at Distance



LED	Lumens	Efficacy
RGB	498	24.4

For lux multiply fc by 10.7

Fixtures and Data Enabler Pro

Item	Type	Item Number	Philips 12NC
ColorBurst Compact Powercore Landscape	Gray	123-000019-00	910503701236
	Black	123-000019-03	910503701817
	White	123-000019-06	910503701820
ColorBurst Compact Powercore Architectural	Gray	123-000019-01	910503701237
	Black	123-000019-04	910503701818
	White	123-000019-07	910503701821
ColorBurst Compact Powercore Architectural CQC	Gray	123-000019-02	910503701761
	Black	123-000019-05	910503701819
	White	123-000019-08	910503701822
Data Enabler Pro	3/4 in / 1/2 in NPT (US trade size conduit)	106-000004-00	910503701210
	PG21 / PG13 (metric size conduit)	106-000004-01	910503701211

Use Item Number when ordering in North America.

Accessories

Item	Type	Item Number	Philips 12NC
Trim Ring	Gray	120-000103-03	910503701420
	Black	120-000103-09	910503701823
	White	120-000103-15	910503701826
45° Glare Shield	Gray	120-000103-04	910503701421
	Black	120-000103-10	910503701824
	White	120-000103-16	910503701827
Full Height Glare Shield	Gray	120-000103-05	910503701422
	Black	120-000103-11	910503701825
	White	120-000103-17	910503701828
Honeycomb Louver	Black	120-000104-01	910503701419
Spread Lenses	14°	120-000080-04	910503701415
	23°	120-000080-05	910503701416
	41°	120-000080-06	910503701417
	10° x 41° asymmetric	120-000080-07	910503701418

Use Item Number when ordering in North America.



Philips Color Kinetics
3 Burlington Woods Drive
Burlington, Massachusetts 01803 USA
Tel 888.385.5742
Tel 617.423.9999
Fax 617.423.9998
www.philipscolorkinetics.com

Copyright © 2010 – 2012 Philips Solid-State Lighting Solutions, Inc. All rights reserved. Chromacore, Chromasic, CK, the CK logo, Color Kinetics, the Color Kinetics logo, ColorBlast, ColorBlaze, ColorBurst, ColorGraze, ColorPlay, ColorReach, iW Reach, eW Reach, eW Fuse, DIMand, EssentialWhite, eW, iColor, iColor Cove, IntelliWhite, iW, iPlayer, Optibin, and Powercore are either registered trademarks or trademarks of Philips Solid-State Lighting Solutions, Inc. in the United States and / or other countries. All other brand or product names are trademarks or registered trademarks of their respective owners. Due to continuous improvements and innovations, specifications may change without notice.

DAS-000029-06 R03 07-12