

# 4 Conductor Leader Cable

Date: \_\_\_\_\_  
 Type: \_\_\_\_\_  
 Firm Name: \_\_\_\_\_  
 Project: \_\_\_\_\_

For use with iW/ColorGraze Powercore, ReachElite or all Reach family luminaires, 100 to 277 VAC, 3 m (10 ft), UL

## LEADER CABLE

For use with iW/ColorGraze or ReachElite, Reach, and Reach Compact Powercore luminaires

Required to digitally dim unit, with Data Enabler Pro.



## Specifications

Due to continuous improvements and innovations, specifications may change without notice.

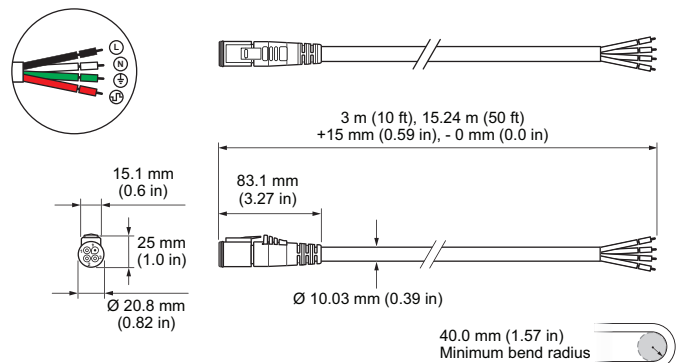
### Physical

Dimensions	3048 mm (120 in) Length
Weight	0.6 kg (1.32 lb)
Connections	Self-locking, female connector to flying leads
Cable	4 conductor, Annealed flexible stranded copper, UL 62, C22.2-49
Outer Cable Insulation	CPE 105° C
Inner Wire Insulation	EPDM
Wire Gauge	14 AWG
Voltage	100 to 277 VAC
Temperature Range	-40 to 50 °C (-40 to 122 °F) Operating

### Certification and Safety

Environment	Dry/Damp/Wet Location, IP66
Certification	UL

### Dimensions



### Part Numbers

#### Leader Cable

4 Conductor Leader Cable  
 For use with iW/ColorGraze Powercore, ReachElite or all Reach family luminaires, 100 to 277 VAC, 3 m (10 ft), UL  
 ZCS459 C3050P BK UL

Use Item Number when ordering in North America.

Item Number	Item 12NC
108-000055-03	910503704066

© 2021 Signify Holding. All rights reserved. Specifications are subject to change without notice. No representation or warranty as to the accuracy or completeness of the information included herein is given and any liability for any action in reliance thereon is disclaimed.

8/10/2021

