

Date: _____
Type: _____
Firm Name: _____
Project: _____

Vaya Linear LP G2

RGBW, 120°, 1.2 m (4 ft), UL

Exterior ultra-compact line-voltage linear grazing luminaire with intelligent RGBW light

Vaya Linear LP G2, RGBW is a super slim outdoor linear luminaire for low-level grazing applications, with wide 120° beam or elliptical 28° x 84° optics. Its slim form factor is ideal for space-restricted applications with limited setback or allowable install height. The robust Vaya Linear LP G2, RGBW adds a separate white LED creating better-quality whites compared to RGB, with either static on/off- or dynamic control options via standard DMX-512. The discreet design with integrated power supply and waterproof connectors makes wiring simple, fast and reliable. Our power algorithm also maximizes luminaire performance when using in any single channel output.



- Compact - With its miniature size and custom-designed optics, the Linear LP G2 is ideal for small spaces and close setback distances.
- Simple - Directly processes 100 to 277 VAC input, all in one slim housing, eliminating the need for bulky external low voltage power supplies and related cabling limitations, allowing for greater installation flexibility and a lean installation. DMX-512 control allows for dimming and dynamic control with industry standard protocols, allowing for easy setup and 3rd party system integration.
- Versatile - Available in two different lengths and available in wide or elliptical beam angles, custom LED configurations and optional adjustable mounting brackets make the Vaya Linear series a versatile tool box for a host of interior and exterior linear lighting applications.
- Robust - An anodized aluminium housing, tempered glass, pressure equalizing air vents and IP66 outdoor rating protect this product against harsh outdoor environments, while waterproof connectors ensure a reliable and fast installation.
- Easy to Install - Snap-lock connectors ensure fast and secure waterproof daisy-chain connections
- Custom Configurations - A host of configured options is available from the Ordering Guide
- Vaya Linear LP G2, RGBW supports full bi-directional communication using industry standard DMX Remote Device Management (RDM). Using the RDM capabilities of the Vaya Linear LP, RGBW with an optional MPC8 allows for remote monitoring utilizing Interact Landmark. With Interact Landmark, you can check the devices on your lighting network right from your web browser.

For detailed product information, please refer to the Vaya Linear Product Guide at www.colorkinetics.com/global/products/vaya/linear-lp-rgbw/

COLORKINETICS
vaya series

Specifications

Due to continuous improvements and innovations, specifications may change without notice.

Output

Beam Angle	120°
Lumens All Channels Full On [†]	1,358
Lumens per single channel	R 374 / G 917 / B 252 / W 1341
Efficacy full-on	56.1
LED Channels	Red/Green/Blue/4000 K

Electrical

Input Voltage	100 to 277 VAC, 50/60 Hz
Power Consumption (Maximum at full output, steady state)	25 W
Surge Limits [‡]	2 kV maximum differential (L to N) 4 kV maximum common (L to Gnd or N to Gnd)

For additional Surge Protection Requirements for LED Lighting Systems, please refer to www.colorkinetics.com/KB/surge-protection.

Control

Interface	DMX/RDM
Control System	

Compatible with the full range of Color Kinetics controllers and trigger devices, including Color Kinetics and Dynalite, or third-party controllers

Remote Monitoring & Management	Philips ActiveSite Ready, works with Interact Landmark
--------------------------------	--

Lumen Maintenance

Threshold [§]	Ambient Temperature	Reported ^{¶¶}	Calculated ^{¶¶}
	L ₇₀	25 °C 50 °C	> 66,000 58,180
L ₅₀	25 °C 50 °C	> 66,000 > 66,000	> 100,000 > 100,000

[†] Lumen output measurements comply with IES LM-79-08 testing procedures.

[§] L_{xx} = xx% lumen maintenance (when light output drops below xx% of initial output). All values are given at B50, or the median value where 50% of the LED population is better than the reported or calculated lumen maintenance measurement.

[¶] Minimum surge limits per IEC 61547, tested in accordance with IEC 61000-4-5.

^{¶¶} Lumen maintenance figures are based on lifetime prediction graphs supplied by LED source manufacturers. Whenever possible, figures use measurements that comply with IES LM-80-08 testing procedures. In accordance with TM-21-11, Reported values represent the interpolated value based on six times the LM-80-08 total test duration (in hours). Calculated values represent time durations that exceed six times the total test duration.

Physical

Dimensions (Height x Width x Depth)	64 x 1200 x 45 mm (2.5 x 47.3 x 1.77 in) Including mounting bracket
Weight	1.9 kg (4.19 lb)
Housing Material	Extruded aluminium, dark grey anodized finish
Lens	Clear tempered glass

Temperature Ranges

-40 to 50 °C (-40 to 122 °F) Operating
-20 to 50 °C (-4 to 122 °F) Startup
-40 to 80 °C (-40 to 176 °F) Storage

Vibration Resistance

Complies with ANSI C136.31

Mechanical Impact	IK07
-------------------	------

Corrosion Resistance

Complies with ASTM B117 standard for > 1,500 hours

Humidity	0 to 95%, non-condensing
----------	--------------------------

Luminaire Run Lengths

To calculate luminaire run lengths for your specific installation, download the Configuration Calculator from <http://www.colorkinetics.com/vaya/Configuration-Calculator/>

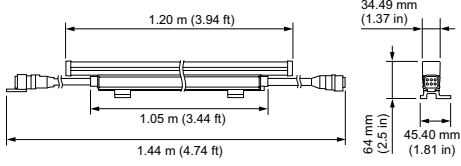
Certification and Safety

Approbation	UL/cUL, FCC Class A
Environment	Dry/Damp/Wet Location, IP66

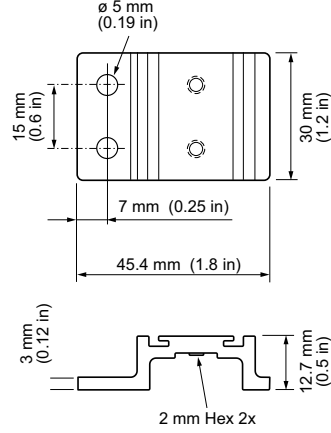


Dimensions

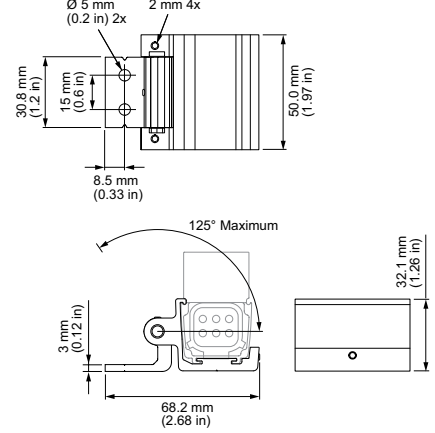
Luminaire



Mounting Plate



Optional Rotatable Mounting Bracket Accessory

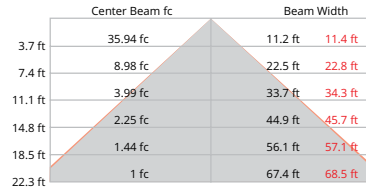


Photometrics 120°, 1.2 m (4 ft)

Photometric data is based on test results from an independent NIST traceable testing lab. IES data is available at www.colorkinetics.com/global/support/ies.

Beam Angle	120°
LED Type	All channels full on
Lumens All Channels Full On	1,358
Efficacy full-on	56.1

Illuminance at Distance

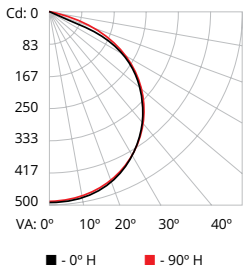


22.25 ft (6.78 m)
1 fc maximum distance

Vert. Spread: 113.1°
Horiz. Spread: 114°

For lux multiply fc by 10.7

Polar Candela Distribution



	0	25	45	65	90
0°	0	494	494	494	494
5°	5	495	494	494	493
15°	15	481	481	481	479
25°	25	452	452	452	451
35°	35	406	407	408	408
45°	45	343	340	343	344
55°	55	262	261	264	266
65°	65	148	168	170	177
75°	75	4	5	26	76
85°	85	2	1	1	2
90°	90	0	0	0	1

Luminaire and Accessories

Use Item Number when ordering in North America

Luminaire	Item Number	Item 12NC
Vaya Linear LP G2, RGBW, 120°, 1.2 m (4 ft), UL <i>Includes two (2) mounting brackets</i>	316-100022-06	912400137144
Accessories		
Vaya Linear LP-MP RGB Leader Cable, 15 m (50 ft), UL	308-000003-09	912400130053
Vaya Linear LP-MP RGB Jumper Cable, 0.3 m (1 ft), UL	308-000003-10	912400130054
Vaya Linear LP-MP RGB Jumper Cable, 1.5 m (5 ft), UL	308-000003-11	912400130055
Vaya Linear LP Glare Shield, 1.2 m (4 ft)	320-000010-01	912400130181
DMX Splitter & Booster (RDM-6 Wall Auto RDM Switching)	303-000003-00	912400137141
SmartJack Pro	103-000024-00	910503700582
Multi-Protocol Converter	104-000015-00	910503701414
Multi-Protocol Converter 8	104-000018-00	912400136052
Vaya Linear LP G2 Rotating Mounting Bracket with Hinge, 1PC	320-100022-00	912400137063
Replacement Parts		
Spare Part, Vaya Linear LP-MP Terminator, 1PC	320-000011-05	912400134845

COLOR KINETICS
vaya series

© 2021 Signify Holding. All rights reserved. Specifications are subject to change without notice. No representation or warranty as to the accuracy or completeness of the information included herein is given and any liability for any action in reliance thereon is disclaimed.

Color Kinetics
www.colorkinetics.com/global/products/vaya/linear-lp-rgbw/