

Burst Powercore gen3, eW

Date: _____

Type: _____

Firm Name: _____

Project: _____

**4000 K, 6° Native (no spread lens), White housing,
Architectural**

Exterior architectural and landscape spotlight with single temperature white light

Burst Powercore gen3, eW is a high-output, exterior-rated LED lighting luminaire designed for accent and site lighting. Architectural and Landscape versions deliver high-quality white light output in 3000 K, and 4000 K to support a range of uplighting, floodlighting, and decorative lighting applications.



- Expands customization with a wide range of new accessory options. In addition to the native 6° lens, six different spread lenses can customize the luminaire to produce 10°, 20°, 40°, 60°, 80°, and 10° x 40° (asymmetric) beam angles. Three housing color choices (black, gray, and white)—plus the option to add a louver, full glare shield, and half glare shield—create new aesthetic possibilities for designers and architects.
- Complies with ASTM B117 corrosion resistance standard for > 1,500 hours and ANSI C136.31-2010 standard with a 3G vibration rating.
- Integrates patented Powercore technology that controls power output to luminaires directly from line voltage – rapidly, efficiently, and accurately. The Color Kinetics Data Enabler Pro merges line voltage with control data and delivers them to luminaires over a single standard cable, dramatically simplifying installation and lowering total system cost.
- Improves durability with new flat lens that prevents water from pooling into the luminaire, keeping the LEDs protected and secure over the course of a luminaire's lifetime.
- Universal power input range of 100 to 277 VAC.
- Precision Dimming—Smooth dimming down to 1% with optional Data Enabler Pro and digital control interface.
- Works seamlessly with the Color Kinetics full range of controllers, including Light System Manager, Video System Manager, Video System Manager Pro, iPlayer 3, Antumbra Color Keypad, and ColorDial Pro—as well as third-party controllers.

For detailed product information, please refer to the Burst Product Guide at www.colorkinetics.com/global/products/essentialwhite/burst-powercore-gen3-ew/



The DesignLights Consortium® (DLC) administers the Qualified Products List, a leading resource that identifies quality, high-efficiency LED products and sets the bar for efficiency program incentives in the U.S. and Canada. Visit designlights.org/qpl for a complete list of qualified products.



Specifications

Due to continuous improvements and innovations, specifications may change without notice.

Output

Color Temperature *	4000 K
Beam Angle	6°
Lumens †	1,981
Efficacy (lm/W)	74.2
CRI	81.6

Electrical

Input Voltage	100 to 277 VAC, auto-ranging, 50/60 Hz
Power Consumption (Maximum at full output, steady state)	27.2
Power Factor	> 0.9 @ 100 to 240 VAC > 0.85 @ 277 VAC
Surge Limits ¶	1 kV maximum differential (L to N) 2 kV maximum common (L to Gnd or N to Gnd)

For additional Surge Protection Requirements for LED Lighting Systems, please refer to www.colorkinetics.com/KB/surge-protection.

Control

Dimmer ‡

ON/OFF; precision dimming by 4 conductor cable & Data Enabler Pro
Remote Monitoring & Management Works with Interact Landmark

Lumen Maintenance

Threshold§	Ambient Temperature		Reported ¶¶	Calculated ¶¶
	25 °C	50 °C		
L ₉₀	25 °C	50 °C	>44,202	>44,202
	25 °C	50 °C	>44,202	>44,202
L ₈₀	25 °C	50 °C	>60,000	>100,000
	25 °C	50 °C	>60,000	>100,000
L ₇₀	25 °C	50 °C	>60,000	>100,000
	25 °C	50 °C	>60,000	>100,000
L ₅₀	25 °C	50 °C	-	>100,000
	25 °C	50 °C	-	>100,000

* Correlated color temperature (CCT) complies with ANSI C78.377-2008 for the chromaticity of solid state lighting products.

* Correlated color temperature (CCT) complies with ANSI C78.377-2008 for the chromaticity of solid state lighting products.

† Lumen output measurements comply with IES LM-79-08 testing procedures.

‡ Refer to www.colorkinetics.com/support/appnotes/ for more information.

§ L_{xx} = xx% lumen maintenance (when light output drops below xx% of initial output). All values are given at B10, or the median value where 90% of the LED population is better than the reported or calculated lumen maintenance measurement.

¶ Minimum surge limits per IEC 61547, tested in accordance with IEC 61000-4-5.

¶¶ Lumen maintenance figures are based on lifetime prediction graphs supplied by LED source manufacturers. Whenever possible, figures use measurements that comply with IES LM-80-08 testing procedures. In accordance with TM-21-11, Reported values represent the interpolated value based on six times the LM-80-08 total test duration (in hours). Calculated values represent time durations that exceed six times the total test duration.

Physical

Dimensions (Height x Width x Depth)	287 x 210 x 186 mm (11.3 x 8.3 x 7.3 in)
Weight	5.5 kg (12.1 lb)
Effective Projected Area (EPA)	0.026 m ² (0.28 ft ²) Luminaire plus Full Glare Shield
Housing Material	Die-cast aluminium, white powder-coated finish
Lens	Clear tempered glass
Luminaire Connections	1.8 m (6 ft) unified power/data cable

Temperature Ranges

-40 to 50 °C (-40 to 122 °F) Operating
-20 to 50 °C (-4 to 122 °F) Startup
-40 to 80 °C (-40 to 176 °F) Storage

Vibration Resistance

Complies with ANSI C136.31, 3G

Mechanical Impact

IK08

Corrosion Resistance

Complies with ASTM B117 standard for > 1,500 hours

Humidity

0 to 95%, non-condensing

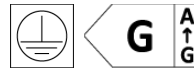
Luminaire Run Lengths

To calculate luminaire run lengths and total power consumption for your specific installation, download the Configuration Calculator from www.colorkinetics.com/support/install_tool/

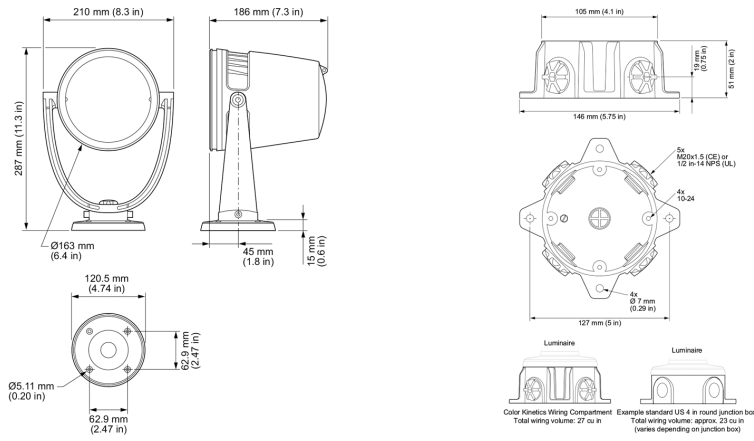
Certification and Safety

Approbation	UL/cUL, FCC Class A, CE, PSE, CQC, RCM
Certification	DLC
Environment	Dry/Damp/Wet Location, IP66

For additional Energy Efficiency Class Information, please refer to <https://colorkinetics.helpdocs.io/article/cvis2p8qq>.



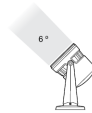
Dimensions



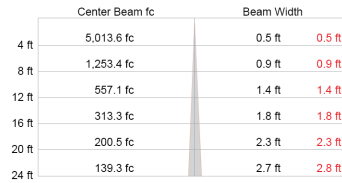
Photometrics 4000 K, 6° Native (no spread lens)

Photometric data is based on test results from an independent NIST traceable testing lab. IES data is available at www.colorkinetics.com/global/support/ies.

Beam Angle	6°
LEDs @	4000 K
Lumens	1,981.0
Efficacy (lm/W)	74.2



Illuminance at Distance

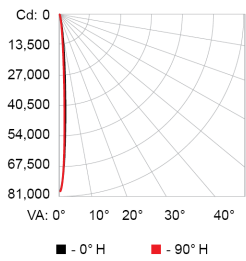


Zonal Lumen

Zone	Lumens	% Luminaire
0-30	1875.7	95.6%
0-40	1915.4	97.6%
0-60	1956.0	99.7%
60-90	6.3	0.3%
0-90	1962.3	100.0%

For lux multiply fc by 10.7

Polar Candela Distribution



	0	25	45	70	90
0	80217	80217	80217	80217	80217
5	18570	20680	21750	21883	22681
15	560	587	612	625	630
25	123	125	128	131	133
35	56	53	52	52	53
45	36	35	34	34	35
55	13	13	12	12	12
65	3	3	3	3	3
75	1	1	1	1	1
85	0	0	0	0	2
90	0	0	0	0	5

Coefficients of Utilization - Zonal Cavity Method

Effective Floor Cavity Reflectance: 20%

RCC %:	80		70		50		30		10		0				
RcR:	70	50	30	0	70	50	30	0	50	30	20	50	30	20	0
0	1.19	1.19	1.19	1.19	1.16	1.16	1.16	1.00	1.11	1.11	1.11	1.06	1.06	1.06	1.02
1	1.16	1.14	1.13	1.11	1.14	1.12	1.11	0.99	1.06	1.07	1.06	1.05	1.04	1.03	1.01
2	1.13	1.11	1.08	1.06	1.11	1.09	1.07	0.98	1.06	1.04	1.03	1.03	1.02	1.01	1.01
3	1.11	1.08	1.05	1.03	1.09	1.06	1.04	0.97	1.04	1.02	1.00	1.02	1.00	0.99	1.00
4	1.09	1.05	1.02	1.00	1.08	1.04	1.01	0.96	1.02	1.00	0.98	1.00	0.99	0.97	0.99
5	1.07	1.03	1.00	0.98	1.06	1.02	0.99	0.95	1.01	0.98	0.97	0.99	0.97	0.96	0.98
6	1.06	1.01	0.98	0.96	1.05	1.01	0.98	0.94	0.99	0.97	0.95	0.98	0.96	0.95	0.97
7	1.04	1.00	0.97	0.95	1.03	0.99	0.97	0.93	0.98	0.96	0.94	0.97	0.95	0.94	0.96
8	1.03	0.98	0.96	0.94	1.02	0.98	0.95	0.92	0.97	0.95	0.93	0.96	0.94	0.93	0.95
9	1.02	0.97	0.95	0.93	1.01	0.97	0.94	0.92	0.96	0.94	0.92	0.96	0.94	0.92	0.95
10	1.01	0.96	0.94	0.92	1.00	0.96	0.94	0.91	0.95	0.93	0.92	0.95	0.93	0.91	0.91

Luminaire and Accessories

Use Item Number when ordering in North America

Luminaire	Item Number	Item 12NC
Burst Powercore gen3, eW, 4000 K, White housing, Architectural	523-000111-19	912400137757
Accessories		
Trim Ring, White	120-000189-22	912400135451
Half Glare Shield, White	120-000189-26	912400135455
Full Glare Shield, White	120-000189-30	912400135459
Louver	120-000189-17	912400133447
Spread Lens, 10°	120-000189-18	912400135371
Spread Lens, 20°	120-000189-12	912400133442
Spread Lens, 40°	120-000189-13	912400133443
Spread Lens, 60°	120-000189-14	912400133444
Spread Lens, 80°	120-000189-15	912400133445
Spread Lens, 10°x40°	120-000189-16	912400133446
Mounting Arm, Short, Gray	120-000206-00	912400136642
Mounting Arm, Medium, Gray	120-000206-01	912400136643
Mounting Arm, Long, Gray	120-000206-02	912400136644
Wiring Compartment, 4 in diameter, White, CE (cover not included)	106-000011-41	910503703276
Wiring Compartment, 4 in diameter, White, UL (cover not included)	106-000011-31	910503704148
Power Supplies		
Data Enabler Pro, 3/4 in / 1/2 in NPT (U.S. trade size conduit)	106-000004-00	910503701210
Data Enabler Pro, PG21/PG13 (metric size conduit)	106-000004-01	910503701211

