

# Burst Powercore gen3, IntelliHue

Date: \_\_\_\_\_

Type: \_\_\_\_\_

Firm Name: \_\_\_\_\_

Project: \_\_\_\_\_

80° Spread Lens, Gray Housing, Architectural

## Exterior architectural and landscape spotlight with intelligent white and color light

Burst Powercore gen3, IntelliHue produces high-quality white, pastel, and saturated color light, in the same precisely controllable luminaire for outdoor wall washing and spot lighting applications. IntelliHue technology delivers exceptional CRI and the ability to choose any CCT between 2000 K and 10000 K.



- Expands customization with a wide range of new accessory options. In addition to the native 6° lens, six different spread lenses can customize the luminaire to produce 10°, 20°, 40°, 60°, 80°, and 10° x 40° (asymmetric) beam angles. Three housing color choices (black, gray, and white)—plus the option to add a louver, full glare shield, and half glare shield—create new aesthetic possibilities for designers and architects.
- Color-changing and high-quality white light from the same luminaire —IntelliHue is an advanced approach to color mixing that enables high-quality intelligent color and white light from a single luminaire. Multiple channels of LED light sources combine to produce a full spectrum of precisely controllable light, including millions of saturated colors, pastels, and uniform white light with CRI of greater than 79.5 in the 2700 K to 4000 K range.
- Improves color consistency between all LED luminaires in a family with Chromasync technology. During the manufacturing process a calibrated light measurement device creates an algorithm to define a common color gamut for an entire family of LED luminaires. When Chromasync is enabled, color consistency between luminaires is achieved without having to manually adjust color points on each luminaire.
- Complies with ASTM B117 corrosion resistance standard for > 1,500 hours and ANSI C136.31-2010 standard with a 3G vibration rating.
- Features an innovative, redesigned optical system that improves the quality of light from each LED, enhancing the color uniformity and color mixing capabilities of each Burst Powercore IntelliHue luminaire.
- Improves durability with new flat lens that prevents water from pooling into the luminaire, keeping the LEDs protected and secure over the course of a luminaire's lifetime.
- Integrates patented Powercore technology that controls power output to luminaires directly from line voltage – rapidly, efficiently, and accurately. The Color Kinetics Data Enabler Pro merges line voltage with control data and delivers them to luminaires over a single standard cable, dramatically simplifying installation and lowering total system cost.
- Universal power input range of 100 to 277 VAC.
- Works seamlessly with the complete Color Kinetics line of controllers, including ColorDial Pro, iPlayer 3, and Light System Manager – as well as third-party controllers.

For detailed product information, please refer to the Burst Product Guide at [www.colorkinetics.com/global/products/intellihue/burst-powercore-gen3-intellihue/](http://www.colorkinetics.com/global/products/intellihue/burst-powercore-gen3-intellihue/)

# Specifications

Due to continuous improvements and innovations, specifications may change without notice.

## Output

Beam Angle	80°
Lumens All Channels Full On †	1,555
Efficacy (lm/W) All Channels Full On	49.3
LED Channels	Red/Green/Blue/Mint White

## Electrical

Input Voltage	100 to 277 VAC, auto-ranging, 50/60 Hz
Power Consumption (Maximum at full output, steady state)	31.3
Power Factor	> 0.9 @ 100 to 240 VAC > 0.85 @ 277 VAC
Surge Limits ¶	1 kV maximum differential (L to N) 2 kV maximum common (L to Gnd or N to Gnd)

For additional Surge Protection Requirements for LED Lighting Systems, please refer to [www.colorkinetics.com/KB/surge-protection](http://www.colorkinetics.com/KB/surge-protection).

## Control

Interface	Data Enabler Pro (DMX or Ethernet)
Control Channels	4 channels per luminaire

For additional Control Channel information, please refer to <https://colorkinetics.helpdocs.io/article/fv5rkvclq>.

## Control System

Color Kinetics full range of controllers, including Light System Manager, iPlayer 3, Antumbra iColor Keypad, and ColorDial Pro, or third-party controllers  
Remote Monitoring & Management Works with Interact Landmark

## Lumen Maintenance

Threshold§	Ambient Temperature	Reported ¶¶	Calculated ¶¶
L 90	25 °C	>39,715	>39,715
	50 °C	>39,715	>39,715
L 80	25 °C	>60,000	>98,607
	50 °C	>60,000	>98,607
L 70	25 °C	>60,000	>100,000
	50 °C	>60,000	>100,000
L 50	25 °C	-	>100,000
	50 °C	-	>100,000

† Lumen measurement complies with IES LM-79-08 testing procedures.

§ L50 = 50% lumen maintenance (when light output drops below 50% of initial output). All values are given at B10, or the median value where 90% of the LED population is better than the reported or calculated lumen maintenance measurement.

¶ Minimum surge limits per IEC 61547, tested in accordance with IEC 61000-4-5.

¶¶ Lumen maintenance figures are based on lifetime prediction graphs supplied by LED source manufacturers. Whenever possible, figures use measurements that comply with IES LM-80-08 testing procedures. In accordance with TM-21-11, Reported values represent the interpolated value based on six times the LM-80-08 total test duration (in hours). Calculated values represent time durations that exceed six times the total test duration.

## Physical

Dimensions (Height x Width x Depth)	287 x 210 x 186 mm (11.3 x 8.3 x 7.3 in)
Weight	5.5 kg (12.1 lb)
Effective Projected Area (EPA) (Luminaire plus Full Glare Shield)	0.026 m² (0.28 ft²)
Housing Material	Die-cast aluminium, gray powder-coated finish
Lens	Clear tempered glass
Luminaire Connections	1.8 m (6 ft) combined power data whip

## Temperature Ranges

-40 to 50 °C (-40 to 122 °F) Operating  
-20 to 50 °C (-4 to 122 °F) Startup  
-40 to 80 °C (-40 to 176 °F) Storage

## Vibration Resistance

Complies with ANSI C136.31, 3G

Mechanical Impact

IK08

## Corrosion Resistance

Complies with ASTM B117 standard for > 1,500 hours

Humidity

0 to 95%, non-condensing

## Thermal Protection enabled

For additional Thermal Protection information, please refer to <https://colorkinetics.helpdocs.io/article/sh301ducix>

## Luminaire Run Lengths

To calculate luminaire run lengths and total power consumption for your specific installation, download the Configuration Calculator from [www.colorkinetics.com/support/install\\_tool/](http://www.colorkinetics.com/support/install_tool/)

## Certification and Safety

Approbation

UL/cUL, FCC Class A, CE, PSE, RCM

Environment

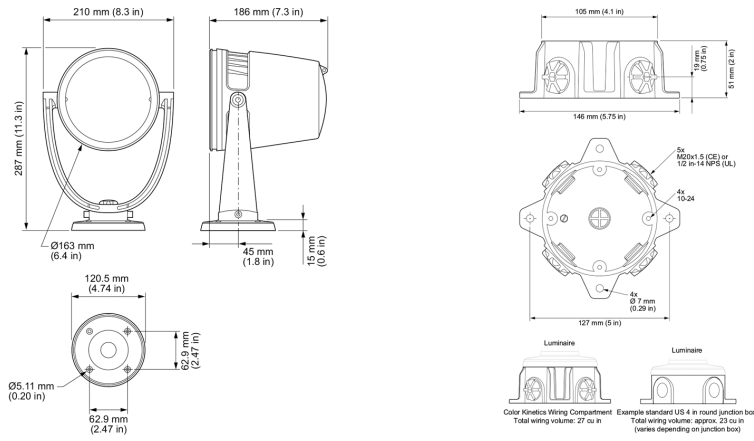
Dry/Damp/Wet Location, IP66

For additional Energy Efficiency Class Information, please refer to

<https://colorkinetics.helpdocs.io/article/cvis2p8qq>.



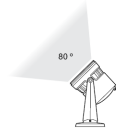
# Dimensions



# Photometrics 80° spread lens

Photometric data is based on test results from an independent NIST traceable testing lab. IES data is available at [www.colorkinetics.com/global/support/ies](http://www.colorkinetics.com/global/support/ies).

Beam Angle	80°
LEDs	All channels full on
Lumens All Channels Full On	1,555.0
Efficacy (lm/W) All Channels Full On	49.3



## Illuminance at Distance

	Center Beam fc	Beam Width
4 ft	58.7 fc	6.9 ft 6.5 ft
8 ft	14.7 fc	13.8 ft 13.1 ft
12 ft	6.5 fc	20.7 ft 19.6 ft
16 ft	3.7 fc	27.5 ft 26.1 ft
20 ft	2.3 fc	34.4 ft 32.6 ft
24 ft	1.6 fc	41.3 ft 39.2 ft

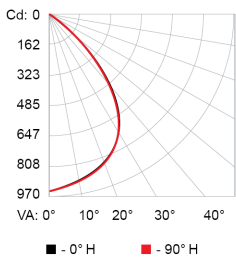
9.1 m (30 ft) 1 fc maximum distance  
 Vert. Spread: 81.4°  
 Horiz. Spread: 78.4°

## Zonal Lumen

Zone	Lumens	% Luminaire
0-30	730.3	47.3%
0-40	1129.4	73.1%
0-60	1497.9	97.0%
60-90	43.3	2.8%
70-100	10.1	0.7%
90-120	0.3	0.0%
0-90	1541.2	99.8%
90-180	3.1	0.2%
0-180	1544.3	100.0%

For lux multiply fc by 10.7

## Polar Candela Distribution



	0	25	45	70	90
0	939	939	939	939	939
5	923	920	920	924	927
15	873	865	863	870	880
25	795	784	780	787	799
35	626	621	614	614	621
45	347	347	345	344	344
55	125	133	132	130	128
65	34	40	42	42	41
75	9	12	13	14	14
85	0	1	1	2	2
90	0	0	0	0	0

## Coefficients of Utilization - Zonal Cavity Method

Effective Floor Cavity Reflectance: 20%

RCC %:	80				70				50				30				10				0				
RW %:	70	50	30	0	70	50	30	0	50	30	20	0	50	30	20	0	50	30	20	0	50	30	20	0	
RCR:	0	1.19	1.19	1.19	1.16	1.16	1.16	1.00	1.11	1.11	1.11	1.06	1.06	1.06	1.02	1.02	1.02	1.00	1.00	1.00	1.00	1.00	1.00	1.00	
	1	1.12	1.09	1.06	1.03	1.10	1.07	1.04	0.91	1.03	1.00	0.98	0.99	0.97	0.95	0.95	0.94	0.93	0.91	0.91	0.91	0.91	0.91	0.91	0.91
	2	1.05	0.99	0.94	0.90	1.03	0.97	0.93	0.82	0.94	0.90	0.87	0.91	0.88	0.85	0.88	0.86	0.83	0.81	0.81	0.81	0.81	0.81	0.81	0.81
	3	0.98	0.90	0.84	0.79	0.96	0.89	0.83	0.74	0.86	0.81	0.77	0.84	0.80	0.76	0.81	0.78	0.75	0.73	0.73	0.73	0.73	0.73	0.73	0.73
	4	0.92	0.83	0.76	0.71	0.90	0.81	0.75	0.67	0.79	0.74	0.69	0.77	0.72	0.68	0.75	0.71	0.68	0.66	0.66	0.66	0.66	0.66	0.66	0.66
	5	0.86	0.76	0.69	0.63	0.84	0.75	0.69	0.61	0.73	0.67	0.62	0.71	0.66	0.62	0.69	0.65	0.61	0.59	0.59	0.59	0.59	0.59	0.59	0.59
	6	0.80	0.70	0.62	0.57	0.79	0.69	0.62	0.55	0.67	0.61	0.56	0.65	0.60	0.56	0.64	0.59	0.56	0.54	0.54	0.54	0.54	0.54	0.54	0.54
	7	0.75	0.64	0.57	0.52	0.74	0.63	0.57	0.51	0.62	0.56	0.51	0.61	0.55	0.51	0.59	0.54	0.51	0.49	0.49	0.49	0.49	0.49	0.49	0.49
	8	0.71	0.59	0.52	0.47	0.69	0.59	0.52	0.46	0.57	0.51	0.47	0.56	0.51	0.47	0.55	0.50	0.46	0.45	0.45	0.45	0.45	0.45	0.45	0.45
	9	0.67	0.55	0.48	0.43	0.65	0.55	0.48	0.43	0.53	0.47	0.43	0.52	0.47	0.43	0.52	0.46	0.43	0.41	0.41	0.41	0.41	0.41	0.41	0.41
	10	0.63	0.51	0.44	0.40	0.62	0.51	0.44	0.39	0.50	0.44	0.40	0.49	0.43	0.40	0.48	0.43	0.39	0.38	0.38	0.38	0.38	0.38	0.38	0.38

# Luminaire and Accessories

Use Item Number when ordering in North America

## Luminaire

	Item Number	Item 12NC
Burst Powercore gen3, IntelliHue, Gray Housing, Architectural Luminaire only. Values in this specification sheet represent both the luminaire and spread lens combined. Spread lens available below in Associated Part.	423-000029-21	912400137729

## Associated Part

80° Spread Lens Trim Ring or Glare Shield required for mounting. Must be ordered separately.	120-000189-15	912400133445
---	---------------	--------------

## Accessories

Trim Ring gen2, Gray	120-000189-20	912400135449
Half Glare Shield gen2, Gray	120-000189-24	912400135453
Full Glare Shield gen2, Gray	120-000189-28	912400135457
Louver	120-000189-17	912400133447
Mounting Arm, Short, Gray	120-000206-00	912400136642
Mounting Arm, Medium, Gray	120-000206-01	912400136643
Mounting Arm, Long, Gray	120-000206-02	912400136644
Wiring Compartment, 4 in diameter, Gray, CE (cover not included)	106-000011-42	910503703277
Wiring Compartment, 4 in diameter, Gray, UL (cover not included)	106-000011-32	910503704149

## Power Supplies

Data Enabler Pro, 3/4 in / 1/2 in NPT (U.S. trade size conduit)	106-000004-00	910503701210
Data Enabler Pro, PG21/PG13 (metric size conduit)	106-000004-01	910503701211

