

eW Blast Powercore gen4

Date: _____
Type: _____
Firm Name: _____
Project: _____

**3000 K, 100 – 277 VAC, 6° Native
(no spread lens), White housing**

Exterior customizable luminaire with single temperature white light

eW Blast Powercore gen4 high-performance LED luminaires provide a high-intensity wash of white light with simplified installation. eW Blast Powercore gen4 offers a range of accessories that allow for customizable beam angles for floodlighting, spotlighting, wall washing, and grazing, along with the efficiency and cost-effectiveness of Powercore technology in a rugged die-cast aluminium housing.



- Expands customization with a wide range of new accessory options. In addition to the native 6° lens, five different spread lenses can customize the luminaire to produce 20°, 40°, 60°, 80°, and 10° x 40° (asymmetric) beam angles. Three housing color choices (black, gray, and white)—plus the option to add or combine a louver, rock guard, full glare shield, and half glare shield—create new aesthetic possibilities for designers and architects.
- Meets ASTM B117 standard for > 1,500 hours of corrosion resistance and ANSI C136.31-2010 standard with a 3G vibration rating.
- Improves durability with new flat lens that prevents water from pooling into the luminaire, keeping the LEDs protected and secure over the course of a luminaire's lifetime.
- Integrates patented Powercore technology that controls power output to luminaires directly from line voltage – rapidly, efficiently, and accurately.
- The Color Kinetics Data Enabler Pro merges line voltage with control data and delivers them to luminaires over a single standard cable, dramatically simplifying installation and lowering total system cost.
- Universal power input range of 100 to 277 VAC.
- Precision Dimming—Smooth dimming down to 1% with optional Data Enabler Pro and digital control interface.
- Works seamlessly with the complete Color Kinetics line of controllers, including ColorDial Pro, iPlayer 3, and Light System Manager – as well as third-party controllers.

For detailed product information, please refer to the Blast gen4 Product Guide at www.colorkinetics.com/global/products/essentialwhite/ew-blast-powercore-gen4/

Specifications

Due to continuous improvements and innovations, specifications may change without notice.

Output

| | |
|--------------------|--------|
| Color Temperature* | 3000 K |
| Beam Angle | 6° |
| Lumens† | 3,213 |
| Efficacy (lm/W) | 67.4 |
| CRI | 81 |

Electrical

| | |
|---|--|
| Input Voltage | 100 to 277 VAC, auto-ranging, 50/60 Hz |
| Power Consumption (Maximum at full output, steady state) | 50 W |
| Power Factor | 0.9 @ 120 VAC, 0.85 @ 277 VAC |
| Surge Limits¶ | 2 kV maximum differential (L to N) 4 kV maximum common (L to Gnd or N to Gnd) |

For additional Surge Protection Requirements for LED Lighting Systems, please refer to www.colorkinetics.com/KB/surge-protection.

Control

Dimmer

| | |
|---|--|
| ON/OFF; precision dimming by 4 conductor cable & Data Enabler Pro | |
| Remote Monitoring & Management | Philips ActiveSite Ready, works with Interact Landmark |

Lumen Maintenance

| Threshold§ | Ambient Temperature | Reported¶¶ | Calculated¶¶ |
|-----------------|---------------------|------------|--------------|
| L ₉₀ | 25 °C | 28,000 | 28,000 |
| | 50 °C | 27,000 | 27,000 |
| L ₇₀ | 25 °C | 51,000 | 84,000 |
| | 50 °C | 51,000 | 83,000 |
| L ₅₀ | 25 °C | 51,000 | > 100,000 |
| | 50 °C | 51,000 | > 100,000 |

* Correlated color temperature (CCT) complies with ANSI C78.377-2008 for the chromaticity of solid state lighting products.

† Lumen measurement complies with IES LM-79-08 testing procedures.

‡ L₉₀ = 90% lumen maintenance (when light output drops below 90% of initial output). L₇₀ = 70% lumen maintenance (when light output drops below 70% of initial output). L₅₀ = 50% lumen maintenance (when light output drops below 50% of initial output). Ambient luminaire temperatures specified. Lumen maintenance calculations are based on lifetime prediction graphs supplied by LED source manufacturers. Calculations for white-light LED fixtures are based on measurements that comply with IES LM-80-08 testing procedures. Refer to www.colorkinetics.com/support/appnotes/ for more information.

§ L_{xx} = xx% lumen maintenance (when light output drops below xx% of initial output). All values are given at B10, or the median value where 90% of the LED population is better than the reported or calculated lumen maintenance measurement.

¶ Minimum surge limits per IEC 61547, tested in accordance with IEC 61000-4-5.

¶¶ Lumen maintenance figures are based on lifetime prediction graphs supplied by LED source manufacturers. Whenever possible, figures use measurements that comply with IES LM-80-08 testing procedures. In accordance with TM-21-11, Reported values represent the interpolated value based on six times the LM-80-08 total test duration (in hours). Calculated values represent time durations that exceed six times the total test duration.

Physical

| | |
|--|--|
| Dimensions (Height x Width x Depth) | 183.7 x 337.8 x 171.2 mm (7.2 x 13.2 x 6.74 in) |
| Weight | 3.9 kg (8.2 lb) |
| Effective Projected Area (EPA) | 0.068 m ² (0.73 ft ²) (Luminaire plus Full Glare Shield) |
| Housing Material | Die-cast aluminium, white powder-coated finish |
| Lens | Clear tempered glass |
| Luminaire Connections | 1.8 m (6 ft) unified power/data cable |

Temperature Ranges

| |
|--|
| -40 to 50 °C (-40 to 122 °F) Operating |
| -20 to 50 °C (-4 to 122 °F) Startup |
| -40 to 80 °C (-40 to 176 °F) Storage |

Vibration Resistance

Complies with ANSI C136.31, 3G

| | |
|-------------------|------|
| Mechanical Impact | IK10 |
|-------------------|------|

Corrosion Resistance

Complies with ASTM B117 standard for > 1,500 hours

| | |
|----------|--------------------------|
| Humidity | 0 to 95%, non-condensing |
|----------|--------------------------|

Luminaire Run Lengths

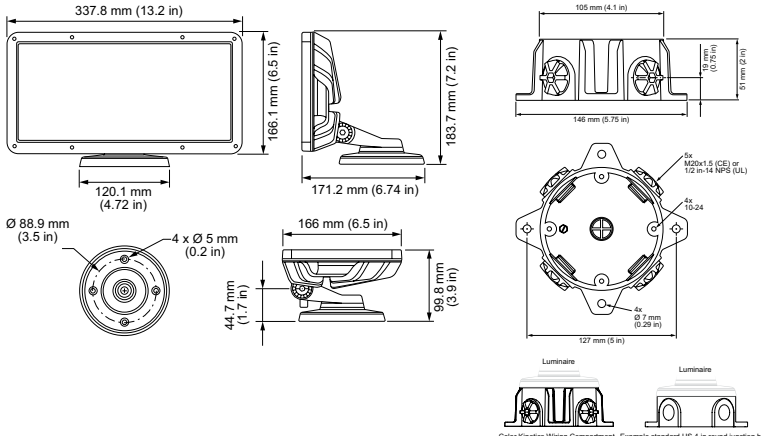
To calculate luminaire run lengths and total power consumption for your specific installation, download the Configuration Calculator from www.colorkinetics.com/support/install_tool/

Certification and Safety

| | |
|-------------|---|
| Approbation | UL/cUL, FCC Class B, CE, PSE, CQC, RCM, EAC, UA |
| Environment | Dry/Damp/Wet Location, IP66 |



Dimensions



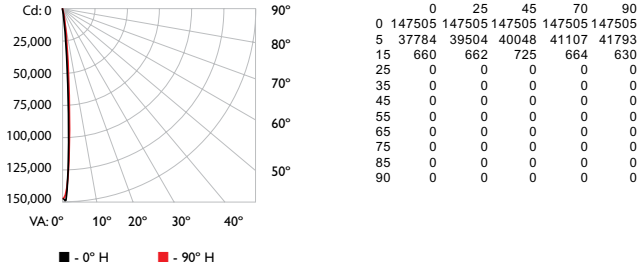
Photometrics 3000 K, 6° native (no spread lens)

Photometric data is based on test results from an independent NIST traceable testing lab. IES data is available at www.colorkinetics.com/global/support/ies.

| | |
|-----------------|--------|
| Beam Angle | 6° |
| LED | 3000 K |
| Lumens | 3,213 |
| Efficacy (lm/W) | 67.4 |



Polar Candela Distribution



Illuminance at Distance

| Center Beam fc | Beam Width |
|-----------------|---------------|
| 4 ft: 9,219 fc | 0.5 ft 0.4 ft |
| 8 ft: 2,305 fc | 0.9 ft 0.9 ft |
| 12 ft: 1,024 fc | 1.4 ft 1.3 ft |
| 16 ft: 576 fc | 1.9 ft 1.8 ft |
| 20 ft: 369 fc | 2.4 ft 2.2 ft |
| 24 ft: 256 fc | 2.8 ft 2.6 ft |

Zonal Lumen

| Zone | Lumens | % Luminaire |
|--------|---------|-------------|
| 0-30 | 3,271.2 | 100.0% |
| 0-40 | 3,271.2 | 100.0% |
| 0-60 | 3,271.2 | 100.0% |
| 0-90 | 3,271.2 | 100.0% |
| 60-90 | 0.0 | 0.0% |
| 70-100 | 0.0 | 0.0% |
| 90-120 | 0.0 | 0.0% |
| 90-180 | 0.0 | 0.0% |
| 0-180 | 3,271.2 | 100.0% |

385 ft (117.3 m)
1 ft maximum distance
Vert. Spread: 6.7°
Horiz. Spread: 6.3°

For lux multiply fc by 10.7

Coefficients of Utilization - Zonal Cavity Method

| RCC %: | Effective Floor Cavity Reflectance: 20% | | | | | | | | | | | | | | |
|--------|---|------|------|------|------|------|------|------|------|------|------|------|------|------|------|
| | 80 | 70 | 50 | 30 | 10 | 0 | 80 | 70 | 50 | 30 | 10 | 0 | | | |
| RW %: | 70 | 50 | 30 | 0 | 70 | 50 | 30 | 0 | 50 | 30 | 20 | 50 | 30 | 20 | 0 |
| RCR: | 0 | 1 | 2 | 3 | 4 | 5 | 6 | 7 | 8 | 9 | 10 | 0 | 1 | 2 | 3 |
| | 1.19 | 1.19 | 1.19 | 1.19 | 1.16 | 1.16 | 1.16 | 1.00 | 1.11 | 1.11 | 1.11 | 1.06 | 1.06 | 1.06 | 1.02 |
| | 1.16 | 1.15 | 1.14 | 1.12 | 1.14 | 1.13 | 1.12 | 1.00 | 1.09 | 1.08 | 1.07 | 1.05 | 1.05 | 1.04 | 1.02 |
| | 1.14 | 1.12 | 1.10 | 1.08 | 1.12 | 1.10 | 1.09 | 1.00 | 1.07 | 1.06 | 1.05 | 1.05 | 1.04 | 1.03 | 1.02 |
| | 1.13 | 1.10 | 1.07 | 1.05 | 1.11 | 1.08 | 1.06 | 0.99 | 1.06 | 1.04 | 1.03 | 1.04 | 1.03 | 1.01 | 1.02 |
| | 1.11 | 1.08 | 1.05 | 1.03 | 1.10 | 1.07 | 1.04 | 0.99 | 1.05 | 1.03 | 1.02 | 1.03 | 1.02 | 1.01 | 1.02 |
| | 1.10 | 1.06 | 1.04 | 1.02 | 1.09 | 1.05 | 1.03 | 0.99 | 1.04 | 1.02 | 1.01 | 1.03 | 1.01 | 1.00 | 1.01 |
| | 1.09 | 1.05 | 1.02 | 1.01 | 1.08 | 1.04 | 1.02 | 0.98 | 1.03 | 1.01 | 1.00 | 1.02 | 1.00 | 0.99 | 1.01 |
| | 1.08 | 1.04 | 1.02 | 1.00 | 1.07 | 1.03 | 1.01 | 0.98 | 1.02 | 1.01 | 0.99 | 1.02 | 1.00 | 0.99 | 1.01 |
| | 1.07 | 1.03 | 1.01 | 0.99 | 1.06 | 1.03 | 1.00 | 0.98 | 1.02 | 1.00 | 0.99 | 1.01 | 1.00 | 0.98 | 1.00 |
| | 1.06 | 1.02 | 1.00 | 0.99 | 1.05 | 1.02 | 1.00 | 0.98 | 1.01 | 0.99 | 0.98 | 1.01 | 0.99 | 0.98 | 1.00 |
| | 1.05 | 1.02 | 1.00 | 0.98 | 1.05 | 1.01 | 0.99 | 0.97 | 1.01 | 0.99 | 0.98 | 1.00 | 0.99 | 0.97 | 0.97 |

Luminaire and Accessories

Use Item Number when ordering in North America

| Luminaire | Item Number | Item 12NC |
|--|---------------|--------------|
| eW Blast Powercore gen4, 3000 K, 100 – 277 VAC, White housing | 523-000100-24 | 912400135496 |
| Accessories | | |
| Trim Ring, White | 120-000185-00 | 912400130336 |
| Louver, White | 120-000185-04 | 912400130340 |
| Rock Guard, White | 120-000185-06 | 912400130342 |
| Half Glare Shield, White | 120-000185-13 | 912400130349 |
| Full Glare Shield, White | 120-000185-02 | 912400130338 |
| Wiring Compartment UL/cUL, White | 106-000011-31 | 910503704148 |
| Wiring Compartment CE, White | 106-000011-41 | 910503703276 |
| 20° Spread lens | 120-000185-08 | 912400130344 |
| 40° Spread lens | 120-000185-09 | 912400130345 |
| 60° Spread lens | 120-000185-10 | 912400130346 |
| 80° Spread lens | 120-000185-11 | 912400130347 |
| 10° x 40° Asymmetric Spread lens | 120-000185-12 | 912400130348 |
| Power Supplies | | |
| Data Enabler Pro (required to digitally dim unit), 3/4 in / 1/2 in NPT (U.S. trade size conduit) | 106-000004-00 | 910503701210 |
| Data Enabler Pro (required to digitally dim unit), PG21/PG13 (metric size conduit) | 106-000004-01 | 910503701211 |

