

eW Blast Powercore gen4

Date: _____
Type: _____
Firm Name: _____
Project: _____

OptiField, 2700 K, Black housing

Exterior customizable OptiField luminaire with single temperature white light

eW Blast Powercore gen4, OptiField high-performance LED luminaires provide uniform lighting across large surfaces. eW Blast Powercore gen4, OptiField increases application efficiency by directing more light on a specific target and offers a range of accessories that allow for customization, along with the efficiency and cost-effectiveness of Powercore technology in a rugged die-cast aluminium housing.



- Uniform illumination—eW Blast Powercore gen4, OptiField delivers a uniformity ratio of less than 4:1 on a 6 m (20 ft) wall with a 1 m (3 ft) setback.
- Precise control of light—Asymmetric optic design provides precise control of light and delivers more illumination with higher uniformity at a lower power than comparable fluorescent asymmetric reflector solutions.
- Design flexibility—eW Blast Powercore gen4, OptiField is designed to adapt to its surroundings regardless of the wall height, setback, or spacing of an installation.
- Expands customization with a range of new accessory options. Three housing color choices (black, gray, and white)—plus the option to add or combine a rock guard with either a full glare shield or a half glare shield—create new aesthetic possibilities for designers and architects.
- Meets ASTM B117 standard for > 1,500 hours of corrosion resistance and ANSI C136.31-2010 standard with a 3G vibration rating.
- Integrates patented Powercore technology that controls power output to luminaires directly from line voltage—rapidly, efficiently, and accurately.
- The Color Kinetics Data Enabler Pro merges line voltage with control data and delivers them to luminaires over a single standard cable, dramatically simplifying installation and lowering total system cost.
- Universal power input range of 100 to 277 (UL/CE/CQC).
- Precision Dimming—Smooth dimming down to 1% with optional Data Enabler Pro and digital control interface.

For detailed product information, please refer to the Blast gen4 Product Guide at www.colorkinetics.com/global/products/essentialwhite/ew-blast-powercore-gen4-fta

Specifications

Due to continuous improvements and innovations, specifications may change without notice.

Output

Color Temperature* 2700 K

Electrical

Input Voltage 100 to 277 VAC, auto-ranging, 50/60 Hz

Power Consumption 50 W

(Maximum at full output, steady state)

Power Factor 0.9 @ 120 VAC

0.85 @ 277 VAC

Surge Limits[¶] 2 kV maximum differential (L to N)

4 kV maximum common (L to Gnd or N to Gnd)

For additional Surge Protection Requirements for LED Lighting Systems, please refer to www.colorkinetics.com/KB/surge-protection.

Control

Dimmer

ON/OFF; precision dimming by 4 conductor cable & Data Enabler Pro

Remote Monitoring & Management Philips ActiveSite Ready, works with Interact Landmark

Lumen Maintenance

Threshold [§]	Ambient Temperature	Reported ^{¶¶}	Calculated ^{¶¶}
L ₉₀	25 °C	28,000	28,000
	50 °C	27,000	27,000
L ₇₀	25 °C	51,000	84,000
	50 °C	51,000	83,000
L ₅₀	25 °C	51,000	> 100,000
	50 °C	51,000	> 100,000

Physical

Dimensions 183.7 x 337.8 x 171.2 mm (7.2 x 13.2 x 6.74 in)
(Height x Width x Depth)

Weight 3.9 kg (8.3 lb)

Effective Projected Area (EPA) 0.068 m² (0.73 ft²)
(Luminaire plus Full Glare Shield)

Housing Material Die-cast aluminium, black powder-coated finish

Lens Clear tempered glass

Luminaire Connections 1.8 m (6 ft) unified power/data cable

Temperature Ranges

-40 to 50 °C (-40 to 122 °F) Operating

-20 to 50 °C (-4 to 122 °F) Startup

-40 to 80 °C (-40 to 176 °F) Storage

Vibration Resistance

Complies with ANSI C136.31, 3G

Mechanical Impact IK10

Corrosion Resistance

Complies with ASTM B117 standard for > 1,500 hours

Humidity 0 to 95%, non-condensing

Luminaire Run Lengths

To calculate luminaire run lengths and total power consumption for your specific installation, download the Configuration Calculator from www.colorkinetics.com/support/install_tool/

Certification and Safety

Approbation UL/cUL, FCC Class B, PSE, CQC, RCM

Environment Dry/Damp/Wet Location, IP66



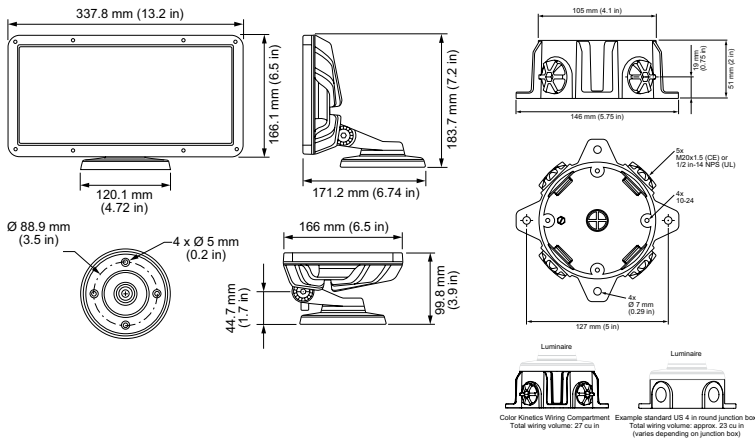
* Correlated color temperature (CCT) complies with ANSI C78.377-2008 for the chromaticity of solid state lighting products.

§ L_{xx} = xx% lumen maintenance (when light output drops below xx% of initial output). All values are given at B10, or the median value where 90% of the LED population is better than the reported or calculated lumen maintenance measurement.

¶ Minimum surge limits per IEC 61547, tested in accordance with IEC 61000-4-5.

¶¶ Lumen maintenance figures are based on lifetime prediction graphs supplied by LED source manufacturers. Whenever possible, figures use measurements that comply with IES LM-80-08 testing procedures. In accordance with TM-21-11, Reported values represent the interpolated value based on six times the LM-80-08 total test duration (in hours). Calculated values represent time durations that exceed six times the total test duration.

Dimensions



For help estimating the light output and distribution of lighting luminaires, please contact Color Kinetics Applications Engineering Services at <http://www.lighting.philips.com/support/connect/contact-us>.

Luminaire and Accessories

Use Item Number when ordering in North America

Luminaire	Item Number	Item 12NC
eW Blast Powercore gen4, OptiField, 2700 K, Black housing	523-000100-13	912400134969
Accessories		
Rock Guard, Black	120-000185-07	912400130343
Half Glare Shield, Black	120-000185-14	912400130350
Full Glare Shield, Black	120-000185-03	912400130339
Wiring Compartment UL/cUL, Black	106-000011-30	910503704147
Wiring Compartment CE, Black	106-000011-40	910503703275
Power Supplies		
Data Enabler Pro, 3/4 in / 1/2 in NPT (U.S. trade size conduit)	106-000004-00	910503701210
Data Enabler Pro, PG21/PG13 (metric size conduit)	106-000004-01	910503701211



© 2021 Signify Holding. All rights reserved. Specifications are subject to change without notice. No representation or warranty as to the accuracy or completeness of the information included herein is given and any liability for any action in reliance thereon is disclaimed.

Color Kinetics
www.colorkinetics.com/global/products/essentialwhite/ew-blast-powercore-gen4-fta