

# Blast Powercore gen5, eW

Date: \_\_\_\_\_

Type: \_\_\_\_\_

Firm Name: \_\_\_\_\_

Project: \_\_\_\_\_

**3000 K, 100 – 277 VAC, 40° spread lens, Gray housing**

## Exterior customizable luminaire with single temperature white light

Blast Powercore gen5, eW high-performance LED luminaires provide a high-intensity wash of white light with simplified installation. Blast Powercore gen5 offers a range of accessories that allow for customizable beam angles for floodlighting, spotlighting, wall washing, and grazing, along with the efficiency and cost-effectiveness of Powercore technology in a rugged die-cast aluminium housing.



- Expands customization with a wide range of new accessory options. In addition to the native 6° lens, five different spread lenses can customize the luminaire to produce 20°, 40°, 60°, 80°, and 10° x 40° (asymmetric) beam angles. Three housing color choices (black, gray, and white)—plus the option to add or combine a louver, rock guard, full glare shield, and half glare shield—create new aesthetic possibilities for designers and architects.
- Meets ASTM B117 standard for > 1,500 hours of corrosion resistance and ANSI C136.31-2010 standard with a 3G vibration rating.
- Improves durability with new flat lens that prevents water from pooling into the luminaire, keeping the LEDs protected and secure over the course of a luminaire's lifetime.
- Integrates patented Powercore technology that controls power output to luminaires directly from line voltage—rapidly, efficiently, and accurately.
- The Color Kinetics Data Enabler Pro merges line voltage with control data and delivers them to luminaires over a single standard cable, dramatically simplifying installation and lowering total system cost.
- Universal power input range of 100 to 277 VAC.
- Precision Dimming—Smooth dimming down to 1% with optional Data Enabler Pro and digital control interface.
- Works seamlessly with the complete Color Kinetics line of controllers, including ColorDial Pro, iPlayer 3, and Light System Manager – as well as third-party controllers.

For detailed product information, please refer to the Blast Product Guide at <https://www.colorkinetics.com/global/products/essentialwhite/blast-powercore-gen5-ew>

# Specifications

Due to continuous improvements and innovations, specifications may change without notice.

## Output

|                     |        |
|---------------------|--------|
| Color Temperature * | 3000 K |
| Beam Angle          | 40°    |
| Lumens †            | 2,662  |
| Efficacy (lm/W)     | 57.6   |
| CRI                 | 81.7   |

## Electrical

|   |  |
|---|--|
| Input Voltage   | 100 to 277 VAC, auto-ranging, 50/60 Hz   |
| Power Consumption<br>(Maximum at full output, steady state) | 46.2 W   |
| Power Factor  | 0.9 @ 120 VAC, 0.85 @ 277 VAC  |
| Surge Limits ¶  | 2 kV maximum differential (L to N)<br>4 kV maximum common (L to Gnd or N to Gnd) |

For additional Surge Protection Requirements for LED Lighting Systems, please refer to [www.colorkinetics.com/KB/surge-protection](http://www.colorkinetics.com/KB/surge-protection).

## Control

### Dimmer ‡

ON/OFF; precision dimming by 4 conductor cable & Data Enabler Pro

Remote Monitoring & Management Works with Interact Landmark

## Lumen Maintenance

| Threshold§      | Ambient Temperature |       | Reported ¶¶ | Calculated ¶¶ |
|-----------------|---------------------|-------|-------------|---------------|
|                 | 25 °C               | 50 °C |             |               |
| L <sub>90</sub> | 25 °C               | 50 °C | >44,202     | >44,202       |
|                 | 50 °C               | 50 °C | >44,202     | >44,202       |
| L <sub>70</sub> | 25 °C               | 50 °C | >60,000     | >100,000      |
|                 | 50 °C               | 50 °C | >60,000     | >100,000      |
| L <sub>50</sub> | 25 °C               | 50 °C | -           | >100,000      |
|                 | 50 °C               | 50 °C | -           | >100,000      |

\* Correlated color temperature (CCT) complies with ANSI C78.377-2008 for the chromaticity of solid state lighting products.

\* Correlated color temperature (CCT) complies with ANSI C78.377-2008 for the chromaticity of solid state lighting products.

† Blast Powercore gen5, eW 4000 K lumen output measurements comply with IES LM-79-08 testing procedures. All 3000 K measurements are estimated based on Blast Powercore gen5, eW 4000 K measurements.

‡ Refer to <https://colorkinetics.helpdocs.io/article/to07h0er3f> for more information about dimming.

§ L<sub>xx</sub> = xx% lumen maintenance (when light output drops below xx% of initial output). All values are given at B10, or the median value where 90% of the LED population is better than the reported or calculated lumen maintenance measurement.

¶ Minimum surge limits per IEC 61547, tested in accordance with IEC 61000-4-5.

¶¶ When mounting to a junction box, the Color Kinetics wiring compartment accessory must be used to maintain a 3G vibration rating.

¶¶¶ Lumen maintenance figures are based on lifetime prediction graphs supplied by LED source manufacturers. Whenever possible, figures use measurements that comply with IES LM-80-08 testing procedures. In accordance with TM-21-11, Reported values represent the interpolated value based on six times the LM-80-08 total test duration (in hours). Calculated values represent time durations that exceed six times the total test duration.

## Physical

|  |  |
|--|--|
| Dimensions<br>(Height x Width x Depth)                               | 183.7 x 337.8 x 171.2 mm (7.2 x 13.2 x 6.74 in)      |
| Weight   | 3.9 kg (8.2 lb)                                      |
| Effective Projected Area (EPA)<br>(Luminaire plus Full Glare Shield) | 0.068 m <sup>2</sup> (0.73 ft <sup>2</sup> )         |
| Housing Material   | Die-cast aluminium, silver gray powder-coated finish |
| Lens   | Clear tempered glass                                 |
| Luminaire Connections  | 1.8 m (6 ft) unified power/data cable                |

## Temperature Ranges

-40 to 50 °C (-40 to 122 °F) Operating

-20 to 50 °C (-4 to 122 °F) Startup

-40 to 80 °C (-40 to 176 °F) Storage

## Vibration Resistance

Complies with ANSI C136.31, 3G

Mechanical Impact

IK10

## Corrosion Resistance

Complies with ASTM B117 standard for > 1,500 hours

Humidity

0 to 95%, non-condensing

## Thermal Protection enabled

For additional Thermal Protection information, please refer to

<https://colorkinetics.helpdocs.io/article/sh301ducix>

## Luminaire Run Lengths

To calculate luminaire run lengths and total power consumption for your specific installation, download the Configuration Calculator from

[www.colorkinetics.com/support/install\\_tool/](http://www.colorkinetics.com/support/install_tool/)

## Certification and Safety

Approbation UL/cUL, FCC Class B, CE, PSE, CQC, RCM, EAC, UA

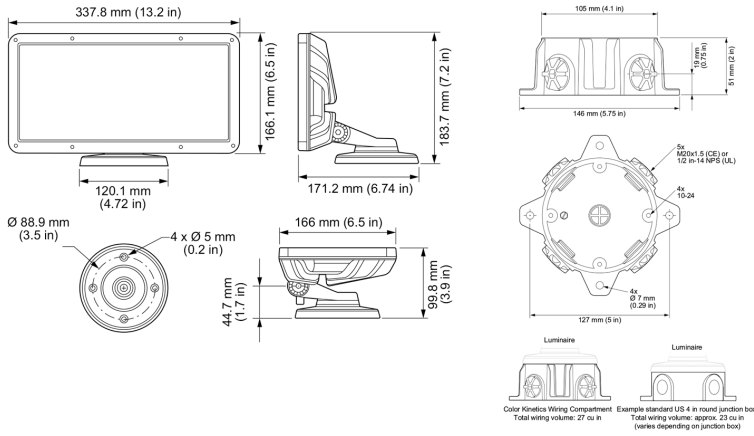
Environment Dry/Damp/Wet Location, IP66

For additional Energy Efficiency Class Information, please refer to

<https://colorkinetics.helpdocs.io/article/cviis2p8qq>.



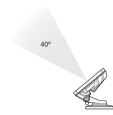
# Dimensions



# Photometrics 3000 K, 40° spread lens

Photometric data is based on test results from an independent NIST traceable testing lab. IES data is available at [www.colorkinetics.com/global/support/ies](http://www.colorkinetics.com/global/support/ies).

|                 |         |
|-----------------|---------|
| Beam Angle      | 40°     |
| LED             | 3000 K  |
| Lumens          | 2,662.0 |
| Efficacy (lm/W) | 57.6    |



## Illuminance at Distance

|       | Center Beam fc | Beam Width      |
|-------|----------------|-----------------|
| 4 ft  | 247.7 fc       | 3.1 ft 3.1 ft   |
| 8 ft  | 61.9 fc        | 6.3 ft 6.2 ft   |
| 12 ft | 27.5 fc        | 9.4 ft 9.3 ft   |
| 16 ft | 15.5 fc        | 12.5 ft 12.5 ft |
| 20 ft | 9.9 fc         | 15.7 ft 15.6 ft |
| 24 ft | 6.9 fc         | 18.8 ft 18.7 ft |

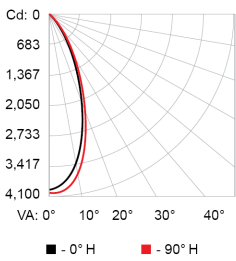
18.9 m (62 ft)  
1 fc maximum distance  
Vert. Spread: 42.7°  
Horiz. Spread: 42.5°

## Zonal Lumen

| Zone   | Lumens | % Luminaire |
|--------|--------|-------------|
| 0-30   | 1843.5 | 69.2%       |
| 0-40   | 2279.5 | 85.6%       |
| 0-60   | 2591.0 | 97.3%       |
| 60-90  | 65.7   | 2.5%        |
| 70-100 | 23.6   | 0.9%        |
| 90-120 | 0.3    | 0.0%        |
| 0-90   | 2656.7 | 99.8%       |
| 90-180 | 5.4    | 0.2%        |
| 0-180  | 2662.1 | 100.0%      |

For lux multiply fc by 10.7

## Polar Candela Distribution



|    | 0    | 25   | 45   | 70   | 90   |
|----|------|------|------|------|------|
| 0  | 3964 | 3964 | 3964 | 3964 | 3964 |
| 5  | 3747 | 3812 | 3866 | 3920 | 3951 |
| 15 | 2791 | 2864 | 2938 | 3008 | 3061 |
| 25 | 1412 | 1480 | 1499 | 1517 | 1558 |
| 35 | 606  | 663  | 691  | 720  | 722  |
| 45 | 230  | 253  | 286  | 307  | 303  |
| 55 | 85   | 92   | 98   | 104  | 106  |
| 65 | 39   | 42   | 43   | 46   | 46   |
| 75 | 16   | 18   | 19   | 21   | 21   |
| 85 | 2    | 3    | 4    | 5    | 5    |
| 90 | 0    | 0    | 0    | 0    | 1    |

## Coefficients of Utilization - Zonal Cavity Method

| RCC %: | Effective Floor Cavity Reflectance: 20% |      |      |      |      |      |      |      |      |      |      |      |      |      |      |      |      |      |      |
|--------|---|------|------|------|------|------|------|------|------|------|------|------|------|------|------|------|------|------|------|
|        | 80                                      |      |      |      | 70   |      |      |      | 50   |      |      |      | 30   |      |      |      |      |      |      |
| RW %:  | 70                                      | 50   | 30   | 0    | 70   | 50   | 30   | 0    | 50   | 30   | 20   | 50   | 30   | 20   | 0    | 50   | 30   | 20   | 0    |
| RCR:   | 0                                       | 1.19 | 1.19 | 1.19 | 1.16 | 1.16 | 1.16 | 1.00 | 1.11 | 1.11 | 1.11 | 1.06 | 1.06 | 1.06 | 1.02 | 1.02 | 1.02 | 1.00 | 1.00 |
| 1      | 1.13                                    | 1.10 | 1.08 | 1.05 | 1.11 | 1.08 | 1.06 | 0.93 | 1.04 | 1.02 | 1.00 | 1.00 | 0.99 | 0.97 | 0.97 | 0.96 | 0.95 | 0.93 | 0.93 |
| 2      | 1.07                                    | 1.02 | 0.98 | 0.95 | 1.05 | 1.01 | 0.97 | 0.87 | 0.97 | 0.94 | 0.91 | 0.94 | 0.92 | 0.89 | 0.91 | 0.89 | 0.87 | 0.86 | 0.86 |
| 3      | 1.02                                    | 0.95 | 0.90 | 0.86 | 1.00 | 0.94 | 0.89 | 0.81 | 0.91 | 0.87 | 0.84 | 0.89 | 0.85 | 0.82 | 0.86 | 0.84 | 0.81 | 0.80 | 0.80 |
| 4      | 0.97                                    | 0.89 | 0.83 | 0.79 | 0.95 | 0.88 | 0.82 | 0.75 | 0.85 | 0.81 | 0.77 | 0.83 | 0.80 | 0.76 | 0.81 | 0.78 | 0.76 | 0.74 | 0.74 |
| 5      | 0.92                                    | 0.83 | 0.77 | 0.73 | 0.90 | 0.82 | 0.77 | 0.70 | 0.80 | 0.76 | 0.72 | 0.79 | 0.74 | 0.71 | 0.77 | 0.73 | 0.71 | 0.69 | 0.69 |
| 6      | 0.87                                    | 0.78 | 0.72 | 0.68 | 0.86 | 0.77 | 0.72 | 0.66 | 0.76 | 0.71 | 0.67 | 0.74 | 0.70 | 0.67 | 0.73 | 0.69 | 0.66 | 0.65 | 0.65 |
| 7      | 0.83                                    | 0.74 | 0.68 | 0.63 | 0.82 | 0.73 | 0.67 | 0.62 | 0.72 | 0.66 | 0.63 | 0.70 | 0.66 | 0.62 | 0.69 | 0.65 | 0.62 | 0.61 | 0.61 |
| 8      | 0.79                                    | 0.70 | 0.64 | 0.59 | 0.78 | 0.69 | 0.63 | 0.58 | 0.68 | 0.63 | 0.59 | 0.67 | 0.62 | 0.59 | 0.66 | 0.62 | 0.58 | 0.57 | 0.57 |
| 9      | 0.75                                    | 0.66 | 0.60 | 0.56 | 0.74 | 0.65 | 0.60 | 0.55 | 0.64 | 0.59 | 0.56 | 0.63 | 0.59 | 0.55 | 0.63 | 0.58 | 0.55 | 0.54 | 0.54 |
| 10     | 0.72                                    | 0.63 | 0.57 | 0.53 | 0.71 | 0.62 | 0.57 | 0.52 | 0.61 | 0.56 | 0.53 | 0.60 | 0.56 | 0.53 | 0.60 | 0.55 | 0.52 | 0.51 | 0.51 |

# Luminaire and Accessories

Use Item Number when ordering in North America

## Luminaire

|  | Item Number   | Item 12NC    |
|--|---------------|--------------|
| Blast Powercore gen5, eW, 3000 K, 100 – 277 VAC, Gray housing<br>Luminaire only. Values in this specification sheet represent both the luminaire and spread lens combined. Spread lens available below in Associated Part. | 523-000110-26 | 912400137715 |

## Associated Parts

|  |               |              |
|--|---------------|--------------|
| 40° Spread lens  | 120-000185-09 | 912400130345 |
| Trim Ring required for mounting. Must be ordered separately. |               |              |

## Accessories

|   |               |              |
|---|---------------|--------------|
| Trim Ring, Gray   | 120-000185-15 | 912400133530 |
| Louver, Gray  | 120-000185-17 | 912400133532 |
| Rock Guard, Gray  | 120-000185-18 | 912400133533 |
| Half Glare Shield, Gray   | 120-000185-19 | 912400133534 |
| Full Glare Shield, Gray   | 120-000185-16 | 912400133531 |
| Wiring Compartment UL/cUL, Gray   | 106-000011-32 | 910503704149 |
| Wiring Compartment CE, Gray   | 106-000011-42 | 910503703277 |
| Architectural Mounting Arm, for use with Blast, Graze, Graze Compact, Burst Architectural, and Vaya Flood. Short, gray  | 120-000206-00 | 912400136642 |
| Architectural Mounting Arm, for use with Blast, Graze, Graze Compact, Burst Architectural, and Vaya Flood. Medium, gray | 120-000206-01 | 912400136643 |
| Architectural Mounting Arm, for use with Blast, Graze, Graze Compact, Burst Architectural, and Vaya Flood. Long, gray   | 120-000206-02 | 912400136644 |

## Power Supplies

|  |               |              |
|--|---------------|--------------|
| Data Enabler Pro (required to digitally dim unit), 3/4 in / 1/2 in NPT (U.S. trade size conduit) | 106-000004-00 | 910503701210 |
| Data Enabler Pro (required to digitally dim unit), PG21/PG13 (metric size conduit)               | 106-000004-01 | 910503701211 |

