

Blast Powercore gen5, eW

Date: _____

Type: _____

Firm Name: _____

Project: _____

3000 K, 100 – 277 VAC, 10° x 40° asymmetric spread lens, Gray housing

Exterior customizable luminaire with single temperature white light

Blast Powercore gen5, eW high-performance LED luminaires provide a high-intensity wash of white light with simplified installation. Blast Powercore gen5 offers a range of accessories that allow for customizable beam angles for floodlighting, spotlighting, wall washing, and grazing, along with the efficiency and cost-effectiveness of Powercore technology in a rugged die-cast aluminium housing.



- Expands customization with a wide range of new accessory options. In addition to the native 6° lens, five different spread lenses can customize the luminaire to produce 20°, 40°, 60°, 80°, and 10° x 40° (asymmetric) beam angles. Three housing color choices (black, gray, and white)—plus the option to add or combine a louver, rock guard, full glare shield, and half glare shield—create new aesthetic possibilities for designers and architects.
- Meets ASTM B117 standard for > 1,500 hours of corrosion resistance and ANSI C136.31-2010 standard with a 3G vibration rating.
- Improves durability with new flat lens that prevents water from pooling into the luminaire, keeping the LEDs protected and secure over the course of a luminaire's lifetime.
- Integrates patented Powercore technology that controls power output to luminaires directly from line voltage—rapidly, efficiently, and accurately.
- The Color Kinetics Data Enabler Pro merges line voltage with control data and delivers them to luminaires over a single standard cable, dramatically simplifying installation and lowering total system cost.
- Universal power input range of 100 to 277 VAC.
- Precision Dimming—Smooth dimming down to 1% with optional Data Enabler Pro and digital control interface.

For detailed product information, please refer to the Blast Product Guide at www.colorkinetics.com/global/products/essentialwhite/blast-powercore-gen5-ew

Specifications

Due to continuous improvements and innovations, specifications may change without notice.

Output

Color Temperature *	3000 K
Beam Angle	10° x 40°
Lumens †	2,616
Efficacy (lm/W)	56.6
CRI	81.7

Electrical

Input Voltage	100 to 277 VAC, auto-ranging, 50/60 Hz
Power Consumption (Maximum at full output, steady state)	46.2 W
Power Factor	0.9 @ 120 VAC, 0.85 @ 277 VAC
Surge Limits ¶	2 kV maximum differential (L to N) 4 kV maximum common (L to Gnd or N to Gnd)

For additional Surge Protection Requirements for LED Lighting Systems, please refer to www.colorkinetics.com/KB/surge-protection.

Control

Control Channels	1 channel per luminaire
------------------	-------------------------

For additional Control Channel information, please refer to <https://colorkinetics.helpdocs.io/article/fv5rkvclq>.

Dimmer ‡

ON/OFF; precision dimming by 4 conductor cable & Data Enabler Pro

Remote Monitoring & Management Works with Interact Landmark

Lumen Maintenance

Threshold§	Ambient Temperature	
	Reported ¶¶	Calculated ¶¶
L ₉₀	25 °C	>44,202
	50 °C	>44,202
L ₇₀	25 °C	>60,000
	50 °C	>60,000
L ₅₀	25 °C	-
	50 °C	>100,000

* Correlated color temperature (CCT) complies with ANSI C78.377-2008 for the chromaticity of solid state lighting products.

† Blast Powercore gen5, eW 4000 K lumen output measurements comply with IES LM-79-08 testing procedures. All 3000 K measurements are estimated based on Blast Powercore gen5, eW 4000 K measurements.

‡ Refer to <https://colorkinetics.helpdocs.io/article/to07h0er3f> for more information about dimming.

§ L_{xx} = xx% lumen maintenance (when light output drops below xx% of initial output). All values are given at B10, or the median value where 90% of the LED population is better than the reported or calculated lumen maintenance measurement.

¶ Minimum surge limits per IEC 61547, tested in accordance with IEC 61000-4-5.

¶¶ When mounting to a junction box, the Color Kinetics wiring compartment accessory must be used to maintain a 3G vibration rating.

¶¶¶ Lumen maintenance figures are based on lifetime prediction graphs supplied by LED source manufacturers. Whenever possible, figures use measurements that comply with IES LM-80-08 testing procedures. In accordance with TM-21-11, Reported values represent the interpolated value based on six times the LM-80-08 total test duration (in hours). Calculated values represent time durations that exceed six times the total test duration.

Physical

Dimensions (Height x Width x Depth)	183.7 x 337.8 x 171.2 mm (7.2 x 13.2 x 6.74 in)
Weight	3.9 kg (8.2 lb)
Effective Projected Area (EPA) (Luminaire plus Full Glare Shield)	0.068 m ² (0.73 ft ²)
Housing Material	Die-cast aluminium, silver gray powder-coated finish
Lens	Clear tempered glass
Luminaire Connections	1.8 m (6 ft) unified power/data cable

Temperature Ranges

-40 to 50 °C (-40 to 122 °F) Operating
-20 to 50 °C (-4 to 122 °F) Startup
-40 to 80 °C (-40 to 176 °F) Storage

Vibration Resistance

Complies with ANSI C136.31, 3G

Mechanical Impact IK10

Corrosion Resistance

Complies with ASTM B117 standard for > 1,500 hours

Humidity 0 to 95%, non-condensing

Thermal Protection enabled

For additional Thermal Protection information, please refer to <https://colorkinetics.helpdocs.io/article/sh301ducix>

Luminaire Run Lengths

To calculate luminaire run lengths and total power consumption for your specific installation, download the Configuration Calculator from www.colorkinetics.com/support/install_tool/

Certification and Safety

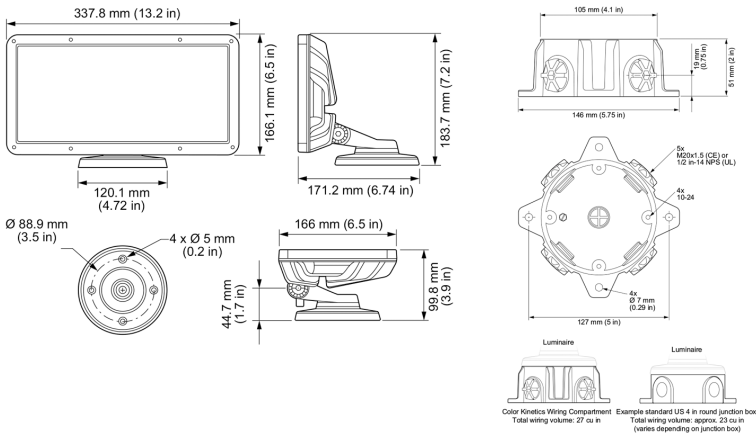
Approbation UL/cUL, FCC Class B, CE, PSE, CQC, RCM, EAC, UA

Environment Dry/Damp/Wet Location, IP66

For additional Energy Efficiency Class Information, please refer to <https://colorkinetics.helpdocs.io/article/cvuis2p8qq>.



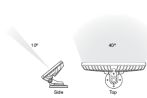
Dimensions



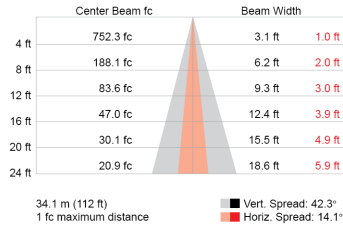
Photometrics 3000 K, 10° x 40° asymmetric spread lens

Photometric data is based on test results from an independent NIST traceable testing lab. IES data is available at www.colorkinetics.com/global/support/ies.

Beam Angle	10° x 40°
LED	3000 K
Lumens	2,616.0
Efficacy (lm/W)	56.6



Illuminance at Distance

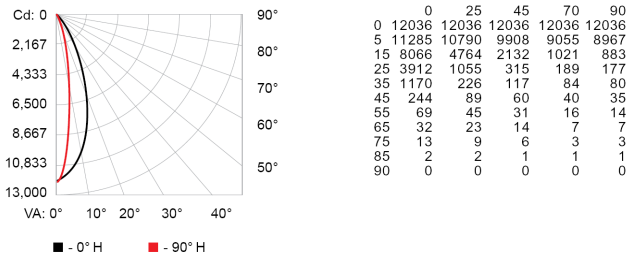


Zonal Lumen

Zone	Lumens	% Luminaire
0-30	2302.0	88.0%
0-40	2489.2	95.2%
0-60	2585.5	98.8%
60-90	24.9	1.0%
70-100	8.9	0.3%
90-120	0.2	0.0%
0-90	2610.4	99.8%
90-180	5.5	0.2%
0-180	2615.8	100.0%

For lux multiply fc by 10.7

Polar Candela Distribution



Coefficients of Utilization - Zonal Cavity Method

RCC %:	Effective Floor Cavity Reflectance: 20%														
	70	50	30	0	70	50	30	0	50	30	20	50	30	20	0
RCR:	0	1.19	1.19	1.19	1.16	1.16	1.16	1.00	1.11	1.11	1.11	1.06	1.06	1.06	1.02
1	1.14	1.12	1.10	1.08	1.12	1.10	1.08	0.96	1.06	1.05	1.03	1.02	1.01	1.00	0.99
2	1.10	1.06	1.03	1.00	1.08	1.04	1.01	0.92	1.01	0.99	0.97	0.98	0.96	0.95	0.96
3	1.06	1.01	0.97	0.94	1.04	1.00	0.96	0.88	0.97	0.94	0.92	0.95	0.92	0.90	0.93
4	1.02	0.96	0.92	0.89	1.01	0.95	0.91	0.85	0.93	0.90	0.87	0.91	0.88	0.86	0.90
5	0.99	0.92	0.88	0.84	0.97	0.91	0.87	0.81	0.90	0.86	0.83	0.88	0.85	0.82	0.87
6	0.95	0.89	0.84	0.81	0.94	0.88	0.83	0.78	0.86	0.83	0.80	0.85	0.82	0.79	0.84
7	0.92	0.85	0.81	0.77	0.91	0.85	0.80	0.75	0.83	0.80	0.77	0.82	0.79	0.76	0.81
8	0.89	0.82	0.78	0.74	0.88	0.82	0.77	0.73	0.81	0.77	0.74	0.80	0.76	0.74	0.79
9	0.87	0.79	0.75	0.72	0.86	0.79	0.75	0.71	0.78	0.74	0.71	0.77	0.74	0.71	0.77
10	0.84	0.77	0.72	0.69	0.83	0.76	0.72	0.69	0.76	0.72	0.69	0.75	0.71	0.69	0.74

Luminaire and Accessories

Use Item Number when ordering in North America

Luminaire	Item Number	Item 12NC
Blast Powercore gen5, eW, 3000 K, 100 – 277 VAC, Gray housing Luminaire only. Values in this specification sheet represent both the luminaire and spread lens combined. Spread lens available below in Associated Part.	523-000110-26	912400137715
Associated Parts		
10° x 40° Asymmetric Spread lens	120-000185-12	912400130348
Trim Ring required for mounting. Must be ordered separately.		
Accessories		
Trim Ring, Gray	120-000185-15	912400133530
Louver, Gray	120-000185-17	912400133532
Rock Guard, Gray	120-000185-18	912400133533
Half Glare Shield, Gray	120-000185-19	912400133534
Full Glare Shield, Gray	120-000185-16	912400133531
Wiring Compartment UL/cUL, Gray	106-000011-32	910503704149
Wiring Compartment CE, Gray	106-000011-42	910503703277
Architectural Mounting Arm, for use with Blast, Graze, Graze Compact, Burst Architectural, and Vaya Flood. Short, gray	120-000206-00	912400136642
Architectural Mounting Arm, for use with Blast, Graze, Graze Compact, Burst Architectural, and Vaya Flood. Medium, gray	120-000206-01	912400136643
Architectural Mounting Arm, for use with Blast, Graze, Graze Compact, Burst Architectural, and Vaya Flood. Long, gray	120-000206-02	912400136644
Power Supplies		
Data Enabler Pro (required to digitally dim unit), 3/4 in / 1/2 in NPT (U.S. trade size conduit)	106-000004-00	910503701210
Data Enabler Pro (required to digitally dim unit), PG21/PG13 (metric size conduit)	106-000004-01	910503701211

