

# eColor Blast Powercore gen4

Date: \_\_\_\_\_  
Type: \_\_\_\_\_  
Firm Name: \_\_\_\_\_  
Project: \_\_\_\_\_

**Amber, 100 – 277 VAC, 10° x 40°  
Asymmetric Spread Lens, White  
Housing, BIS**

## Exterior customizable luminaire with solid color light

eColor Blast Powercore gen4 high-performance LED luminaires provide a high-intensity wash of color light with simplified installation. eColor Blast Powercore gen4 offers a range of accessories that allow for customizable beam angles for floodlighting, spotlighting, wall washing, and grazing, along with the efficiency and cost-effectiveness of Powercore technology in a rugged die-cast aluminium housing.



- Expands customization with a wide range of new accessory options. In addition to the native 10° lens, five different spread lenses can customize the luminaire to produce 20°, 40°, 60°, 80°, and 10° x 40° (asymmetric) beam angles. Three housing color choices (black, gray, and white) – plus the option to add or combine a louver, rock guard, full glare shield, and half glare shield – create new aesthetic possibilities for designers and architects.
- Meets ASTM B117 standard for > 1,500 hours of corrosion resistance and ANSI C136.31-2010 standard with a 3G vibration rating.
- Improves durability with new flat lens that prevents water from pooling into the luminaire, keeping the LEDs protected and secure over the course of a luminaire's lifetime.
- Integrates patented Powercore technology that controls power output to luminaires directly from line voltage—rapidly, efficiently, and accurately.
- The Color Kinetics Data Enabler Pro merges line voltage with control data and delivers them to luminaires over a single standard cable, dramatically simplifying installation and lowering total system cost.
- Universal power input range of 100 to 277 VAC.
- Precision Dimming—Smooth dimming down to 1% with optional Data Enabler Pro and digital control interface.
- Works seamlessly with the Color Kinetics full range of controllers, including Light System Manager, Video System Manager, Video System Manager Pro, iPlayer 3, Antumbra iColor Keypad, and ColorDial Pro—as well as third-party controllers.

For detailed product information, please refer to the Blast gen4 Product Guide at [www.colorkinetics.com/global/products/essentialcolor/ecolor-blast-powercore-gen4/](http://www.colorkinetics.com/global/products/essentialcolor/ecolor-blast-powercore-gen4/)

# Specifications

Due to continuous improvements and innovations, specifications may change without notice.

## Output

|            |           |
|------------|-----------|
| Beam Angle | 10° x 40° |
| Color      | Amber     |

## Electrical

|                                                             |                                                                                  |
|-------------------------------------------------------------|----------------------------------------------------------------------------------|
| Input Voltage                                               | 100 to 277 VAC, auto-ranging, 50/60 Hz                                           |
| Power Consumption<br>(Maximum at full output, steady state) | 50 W                                                                             |
| Power Factor                                                | 0.9 @ 120 VAC, 0.85 @ 277 VAC                                                    |
| Surge Limits <sup>¶</sup>                                   | 1 kV maximum differential (L to N)<br>2 kV maximum common (L to Gnd or N to Gnd) |

For additional Surge Protection Requirements for LED Lighting Systems, please refer to [www.colorkinetics.com/KB/surge-protection](http://www.colorkinetics.com/KB/surge-protection).

## Control

### Dimmer

|                                                                   |                                                        |
|-------------------------------------------------------------------|--------------------------------------------------------|
| ON/OFF; precision dimming by 4 conductor cable & Data Enabler Pro |                                                        |
| Remote Monitoring & Management                                    | Philips ActiveSite Ready, works with Interact Landmark |

## Physical

|                                        |                                                          |
|----------------------------------------|----------------------------------------------------------|
| Dimensions<br>(Height x Width x Depth) | 183.7 x 337.8 x 171.2 mm (7.2 x 13.2 x 6.74 in)          |
| Weight                                 | 3.9 kg (8.2 lb)                                          |
| Effective Projected Area (EPA)         | 0.068 m <sup>2</sup><br>Luminaire plus Full Glare Shield |
| Housing Material                       | Die-cast aluminium, white powder-coated finish           |
| Lens                                   | Clear tempered glass                                     |
| Luminaire Connections                  | 1.8 m (6 ft) unified power/data cable                    |

## Temperature Ranges

|                                        |
|----------------------------------------|
| -40 to 50 °C (-40 to 122 °F) Operating |
| -20 to 50 °C (-4 to 122 °F) Startup    |
| -40 to 80 °C (-40 to 176 °F) Storage   |

## Vibration Resistance

|                                |      |
|--------------------------------|------|
| Complies with ANSI C136.31, 3G |      |
| Mechanical Impact              | IK10 |

## Corrosion Resistance

|                                                    |                          |
|----------------------------------------------------|--------------------------|
| Complies with ASTM B117 standard for > 1,500 hours |                          |
| Humidity                                           | 0 to 95%, non-condensing |

## Luminaire Run Lengths

To calculate luminaire run lengths and total power consumption for your specific installation, download the Configuration Calculator from [www.colorkinetics.com/support/install\\_tool/](http://www.colorkinetics.com/support/install_tool/)

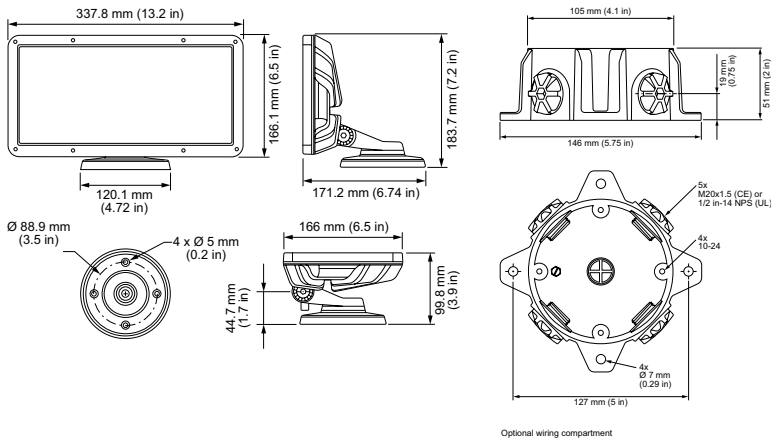
## Certification and Safety

|             |                             |
|-------------|-----------------------------|
| Approbation | BIS                         |
| Environment | Dry/Damp/Wet Location, IP66 |



<sup>¶</sup> Minimum surge limits per IEC 61547, tested in accordance with IEC 61000-4-5.

# Dimensions



For help estimating the light output and distribution of lighting luminaires, please contact Color Kinetics Applications Engineering Services at <http://www.lighting.philips.com/support/connect/contact-us>.

# Luminaire and Accessories

Use Item Number when ordering in North America

| Luminaire                                                                                                                                                                                                                             | Item Number   | Item 12NC    |
|---------------------------------------------------------------------------------------------------------------------------------------------------------------------------------------------------------------------------------------|---------------|--------------|
| eColor Blast Powercore gen4, Amber, 100 – 277 VAC, White Housing<br><i>Luminaire only. Values in this specification sheet represent both the luminaire and spread lens combined. Spread lens available below in Associated Parts.</i> | 223-000093-50 | 912400137325 |
| <b>Associated Part</b>                                                                                                                                                                                                                |               |              |
| 10° x 40° Spread lens                                                                                                                                                                                                                 | 120-000185-12 | 912400130348 |
| <i>Trim Ring required for mounting. Must be ordered separately.</i>                                                                                                                                                                   |               |              |
| <b>Accessories</b>                                                                                                                                                                                                                    |               |              |
| Trim Ring, Black                                                                                                                                                                                                                      | 120-000185-01 | 912400130337 |
| Louver, Black                                                                                                                                                                                                                         | 120-000185-05 | 912400130341 |
| Rock Guard, Black                                                                                                                                                                                                                     | 120-000185-07 | 912400130343 |
| Half Glare Shield, Black                                                                                                                                                                                                              | 120-000185-14 | 912400130350 |
| Full Glare Shield, Black                                                                                                                                                                                                              | 120-000185-03 | 912400130339 |
| Wiring Compartment UL/cUL, Black                                                                                                                                                                                                      | 106-000011-30 | 910503703147 |
| Wiring Compartment CE, Black                                                                                                                                                                                                          | 106-000011-40 | 910503703275 |
| <b>Power Supplies</b>                                                                                                                                                                                                                 |               |              |
| Data Enabler Pro, 3/4 in / 1/2 in NPT (U.S. trade size conduit)                                                                                                                                                                       | 106-000004-00 | 910503701210 |
| Data Enabler Pro, PG21/PG13 (metric size conduit)                                                                                                                                                                                     | 106-000004-01 | 910503701211 |



© 2021 Signify Holding. All rights reserved. Specifications are subject to change without notice. No representation or warranty as to the accuracy or completeness of the information included herein is given and any liability for any action in reliance thereon is disclaimed.

Color Kinetics  
[www.colorkinetics.com/global/products/essentialcolor/ecolor-blast-powercore-gen4/](http://www.colorkinetics.com/global/products/essentialcolor/ecolor-blast-powercore-gen4/)