

ColorBlast Powercore gen4

Date: _____
Type: _____
Firm Name: _____
Project: _____

OptiField, RGBA, White Housing

High-performance exterior OptiField luminaire with intelligent RGBA light

ColorBlast Powercore gen4, RGBA OptiField boosts output and flexibility to meet the most demanding color lighting applications. Get high output, greater efficacy, precise color, remote monitoring, and more—all in a compact, reliable flood that's easy to customize and install. ColorBlast Powercore gen4, RGBA OptiField adds a separate amber LED which expands the available range of colors to include warmer tones such as rich gold, yellow, and orange shades. OptiField technology delivers extremely uniform (5:1) illuminance, providing smooth, even light and subtle shading—without hotspots or banding.



- ColorBlast Powercore gen4 integrates the latest LED innovations, custom optics, and a 100 to 277 VAC direct connection. The ColorBlast Powercore gen4 family still retains the rock-solid reliability and no-compromises quality that earned Blast its unequalled reputation.
 - OptiField technology, features extremely uniform illumination (5:1 or better on a 5 m x 5 m (16.4 ft) wall with 1 m (3 ft) setback) providing smooth walls of light that appear perfect to the eye. And thanks to our breakthrough optics, you can place luminaires exceptionally close to illuminated surfaces.
 - Chromasync technology improves color consistency between all LED luminaires in a family. During the manufacturing process a calibrated light measurement device creates an algorithm to define a common color gamut for an entire family of LED luminaires. When Chromasync is enabled, color consistency between luminaires is achieved without having to manually adjust color points on each luminaire.
 - Choose from a full line of high-quality accessories, from full and half glare shields, to a rock guard, for all Blast Powercore gen4 luminaires, eliminating the need for third-party solutions. All in your choice of white, gray, or black.
 - Blast is known for providing years of reliable use under rugged conditions. ColorBlast gen4 raises reliability even further with more protection from corrosion by meeting ASTM B117 standard for > 1,500 hours of corrosion resistance and ANSI C136.31-2010 standard with a 3G vibration rating, and elimination of water pooling.
 - Integrates patented Powercore technology that controls power output to luminaires directly from line voltage – rapidly, efficiently, and accurately. The Color Kinetics Data Enabler Pro merges line voltage with control data and delivers them to luminaires over a single standard cable, dramatically simplifying installation and lowering total system cost.
 - Works seamlessly with the Color Kinetics full range of controllers, including Light System Manager, Video System Manager, Video System Manager Pro, iPlayer 3, Antumbra Color Keypad, and ColorDial Pro—as well as third-party controllers.
- For detailed product information, please refer to the Blast gen4 Product Guide at www.colorkinetics.com/global/products/rgb/colorblast-powercore-gen4-rgba-fta

Specifications

Due to continuous improvements and innovations, specifications may change without notice.

Output

Beam	Wall washing
Lumens [†]	1,227
Efficacy (lm/W)	25.8
LED Channels	Red/Green/Blue/Amber

Electrical

Input Voltage	100 to 277 VAC, auto-ranging, 50/60 Hz
Power Consumption (Maximum at full output, steady state)	50 W
Power Factor	0.99 @ 120 VAC 0.91 @ 277 VAC
Surge Limits [¶]	1 kV maximum differential (L to N) 2 kV maximum common (L to Gnd or N to Gnd)

For additional Surge Protection Requirements for LED Lighting Systems, please refer to www.colorkinetics.com/KB/surge-protection.

Control

Interface	Data Enabler Pro (DMX/Ethernet)
-----------	---------------------------------

Control System

Color Kinetics full range of controllers, including Light System Manager, Video System Manager Pro, iPlayer 3, Antumbra iColor Keypad, and ColorDial Pro, or third-party controllers

Remote Monitoring & Management	Philips ActiveSite Ready, works with Interact Landmark
--------------------------------	--

Lumen Maintenance

Threshold [§]	Ambient Temperature	Reported ^{¶¶}	Calculated ^{¶¶}
L ₉₀	25 °C	11,300	11,300
	50 °C	11,300	11,300
L ₈₀	25 °C		35,700
	50 °C	35,700	35,700
L ₇₀	25 °C	> 54,000	63,300
	50 °C	> 54,000	63,300
L ₅₀	25 °C	> 54,000	> 100,000
	50 °C	> 54,000	> 100,000

[†] Lumen measurement complies with IES LM-79-08 testing procedures.

[§] L_{xx} = xx% lumen maintenance (when light output drops below xx% of initial output). All values are given at B10, or the median value where 90% of the LED population is better than the reported or calculated lumen maintenance measurement.

[¶] Minimum surge limits per IEC 61547, tested in accordance with IEC 61000-4-5.

^{¶¶} Lumen maintenance figures are based on lifetime prediction graphs supplied by LED source manufacturers. Whenever possible, figures use measurements that comply with IES LM-80-08 testing procedures. In accordance with TM-21-11, Reported values represent the interpolated value based on six times the LM-80-08 total test duration (in hours). Calculated values represent time durations that exceed six times the total test duration.

Physical

Dimensions (Height x Width x Depth)	183.7 x 337.8 x 171.2 mm (7.2 x 13.2 x 6.74 in)
Weight	3.9 kg (8.2 lb)
Effective Projected Area (EPA)	0.068 m ² (0.73 ft ²) (Luminaire plus Full Glare Shield)
Housing Material	Die-cast aluminium, white powder-coated finish
Lens	Clear tempered glass
Luminaire Connections	1.8 m (6 ft) unified power/data cable

Temperature Ranges

-40 to 50 °C (-40 to 122 °F) Operating
-20 to 50 °C (-4 to 122 °F) Startup
-40 to 80 °C (-40 to 176 °F) Storage

Vibration Resistance

Complies with ANSI C136.31, 3G

Mechanical Impact	IK10
-------------------	------

Corrosion Resistance

Complies with ASTM B117 standard for > 1,500 hours
--

Humidity	0 to 95%, non-condensing
----------	--------------------------

Luminaire Run Lengths

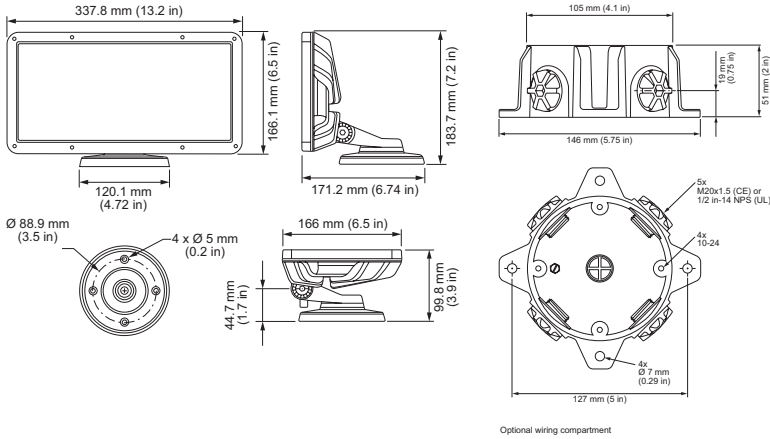
To calculate luminaire run lengths and total power consumption for your specific installation, download the Configuration Calculator from www.colorkinetics.com/support/install_tool/

Certification and Safety

Approbation	UL/cUL, FCC Class A, CE, PSE, CQC, RCM, EAC, UA
Environment	Dry/Damp/Wet Location, IP66



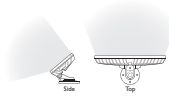
Dimensions



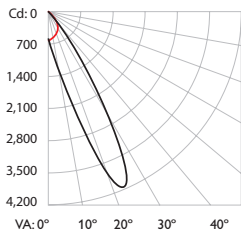
Photometrics optiField

Photometric data is based on test results from an independent NIST traceable testing lab. IES data is available at www.colorkinetics.com/global/support/ies.

Beam	Wall washing
LED	RGBA
Lumens	1,227.00
Target area uniformity	3.9:1
Efficacy (lm/W)	25.8

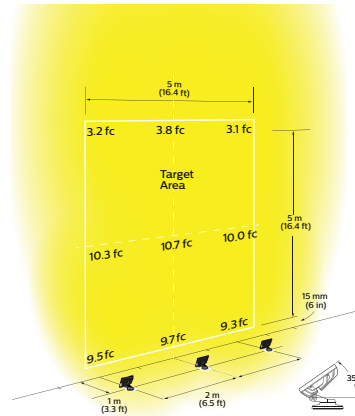


Polar Candela Distribution



90°	0	0	25	45	70	90
80°	0	614	614	614	614	614
70°	5	885	839	775	682	605
60°	15	2372	1879	1271	777	538
50°	25	3985	3028	1539	654	426
	35	714	941	738	332	269
	45	75	86	113	103	136
	55	44	40	40	40	61
	65	20	20	20	20	27
	75	3	4	4	5	9
	85	0	0	0	0	0
	90	0	0	0	0	0

■ - 0° H ■ - 90° H



Zonal Lumen

Zone	Lumens	% Luminaire
0-30	807.4	65.8%
0-40	1069.2	87.1%
0-60	1195.8	97.4%
60-90	31.7	2.6%
70-100	7.6	0.6%
90-120	0.0	0.0%
0-90	1227.6	100.0%
90-180	0.0	0.0%
0-180	1227.6	100.0%

For lux multiply fc by 10.7

ColorBlast Powercore gen4, OptiField Notes. Although this luminaire is designed to meet a large number of installation needs, specifically wall heights, we recommend using a measurement area like the example with a measurement grid of 5m (16.4 ft) or smaller. This approach will help you consistently create simulations that match mock-ups. In order to achieve the highest delivered illuminance and maximum level of uniformity, we recommend aiming the luminaire at a 35° rotation.

Luminaire and Accessories

Use Item Number when ordering in North America

Luminaire	Item Number	Item 12NC
ColorBlast Powercore gen4, OptiField, RGBA, White Housing	423-000019-00	912400136065
Accessories		
Rock Guard, White	120-000185-06	912400130342
Half Glare Shield, White	120-000185-13	912400130349
Full Glare Shield, White	120-000185-02	912400130338
Wiring Compartment UL/cUL, White	106-000011-31	910503704148
Wiring Compartment CE, White	106-000011-41	910503703276
Power Supplies		
Data Enabler Pro, 3/4 in / 1/2 in NPT (US trade size conduit)	106-000004-00	910503701210
Data Enabler Pro, PG21/PG13 (metric size conduit)	106-000004-01	910503701211



© 2021 Signify Holding. All rights reserved. Specifications are subject to change without notice. No representation or warranty as to the accuracy or completeness of the information included herein is given and any liability for any action in reliance thereon is disclaimed.

Color Kinetics
www.colorkinetics.com/global/products/rgb/colorblast-powercore-gen4-rgba-fta