

ColorBlast Powercore gen4

Date: _____
Type: _____
Firm Name: _____
Project: _____

OptiField, RGBW, Gray Housing

High-performance exterior OptiField luminaire with intelligent RGBW light

ColorBlast Powercore gen4, RGBW OptiField boosts output and flexibility to meet the most demanding white and color lighting applications. Get high output, greater efficacy, precise color, remote monitoring, and more—all in a compact, reliable flood that's easy to customize and install. ColorBlast Powercore gen4, RGBW OptiField adds a separate white LED creating better-quality whites compared to RGB. OptiField technology delivers extremely uniform (5:1) illuminance, providing smooth, even light and subtle shading—without hotspots or banding.



- ColorBlast Powercore gen4 integrates the latest LED innovations, custom optics, and a 100 to 277 VAC direct connection. The ColorBlast Powercore gen4 family still retains the rock-solid reliability and no-compromises quality that earned Blast its unequalled reputation.
 - OptiField technology, features extremely uniform illumination (5:1 or better on a 5 m x 5 m (16.4 ft) wall with 1 m (3 ft) setback) providing smooth walls of light that appear perfect to the eye. And thanks to our breakthrough optics, you can place luminaires exceptionally close to illuminated surfaces.
 - Chromasync technology improves color consistency between all LED luminaires in a family. During the manufacturing process a calibrated light measurement device creates an algorithm to define a common color gamut for an entire family of LED luminaires. When Chromasync is enabled, color consistency between luminaires is achieved without having to manually adjust color points on each luminaire.
 - Choose from a full line of high-quality accessories, from full and half glare shields, to a rock guard, for all Blast Powercore gen4 luminaires, eliminating the need for third-party solutions. All in your choice of white, gray, or black.
 - Blast is known for providing years of reliable use under rugged conditions. ColorBlast gen4 raises reliability even further with more protection from corrosion by meeting ASTM B117 standard for > 1,500 hours of corrosion resistance and ANSI C136.31-2010 standard with a 3G vibration rating, and elimination of water pooling.
 - Integrates patented Powercore technology that controls power output to luminaires directly from line voltage – rapidly, efficiently, and accurately. The Color Kinetics Data Enabler Pro merges line voltage with control data and delivers them to luminaires over a single standard cable, dramatically simplifying installation and lowering total system cost.
 - Works seamlessly with the Color Kinetics full range of controllers, including Light System Manager, Video System Manager, Video System Manager Pro, iPlayer 3, Antumbra Color Keypad, and ColorDial Pro—as well as third-party controllers.
- For detailed product information, please refer to the Blast gen4 Product Guide at www.colorkinetics.com/global/products/rgb/colorblast-powercore-gen4-rgbw-fta

Specifications

Due to continuous improvements and innovations, specifications may change without notice.

Output

Beam	Wall washing
Lumens [†]	1,524
Efficacy (lm/W)	31.8
LED Channels	Red/Green/Blue/White

Electrical

Input Voltage	100 to 277 VAC, auto-ranging, 50/60 Hz
Power Consumption (Maximum at full output, steady state)	50 W
Power Factor	0.99 @ 120 VAC 0.9 @ 277 VAC
Surge Limits [¶]	1 kV maximum differential (L to N) 2 kV maximum common (L to Gnd or N to Gnd)

For additional Surge Protection Requirements for LED Lighting Systems, please refer to www.colorkinetics.com/KB/surge-protection.

Control

Interface	Data Enabler Pro (DMX/Ethernet)
-----------	---------------------------------

Control System

Color Kinetics full range of controllers, including Light System Manager, Video System Manager Pro, iPlayer 3, Antumbra iColor Keypad, and ColorDial Pro, or third-party controllers

Remote Monitoring & Management	Philips ActiveSite Ready, works with Interact Landmark
--------------------------------	--

Lumen Maintenance

Threshold [§]	Ambient Temperature	Reported ^{¶¶}	Calculated ^{¶¶}
L ₉₀	25 °C	13,100	13,100
	50 °C	13,100	13,100
L ₈₀	25 °C	28,600	28,600
	50 °C	28,600	28,600
L ₇₀	25 °C	46,100	46,100
	50 °C	46,100	46,100
L ₅₀	25 °C	> 54,000	90,300
	50 °C	> 54,000	90,300

[†] Lumen measurement complies with IES LM-79-08 testing procedures.

[§] L_{xx} = xx% lumen maintenance (when light output drops below xx% of initial output). All values are given at B10, or the median value where 90% of the LED population is better than the reported or calculated lumen maintenance measurement.

[¶] Minimum surge limits per IEC 61547, tested in accordance with IEC 61000-4-5.

^{¶¶} Lumen maintenance figures are based on lifetime prediction graphs supplied by LED source manufacturers. Whenever possible, figures use measurements that comply with IES LM-80-08 testing procedures. In accordance with TM-21-11, Reported values represent the interpolated value based on six times the LM-80-08 total test duration (in hours). Calculated values represent time durations that exceed six times the total test duration.

Physical

Dimensions (Height x Width x Depth)	183.7 x 337.8 x 171.2 mm (7.2 x 13.2 x 6.74 in)
Weight	3.9 kg (8.2 lb)
Effective Projected Area (EPA)	0.068 m ² (0.73 ft ²) (Luminaire plus Full Glare Shield)
Housing Material	Die-cast aluminium, gray powder-coated finish
Lens	Clear tempered glass
Luminaire Connections	1.8 m (6 ft) unified power/data cable

Temperature Ranges

-40 to 50 °C (-40 to 122 °F) Operating
-20 to 50 °C (-4 to 122 °F) Startup
-40 to 80 °C (-40 to 176 °F) Storage

Vibration Resistance

Complies with ANSI C136.31, 3G

Mechanical Impact	IK10
-------------------	------

Corrosion Resistance

Complies with ASTM B117 standard for > 1,500 hours
--

Humidity	0 to 95%, non-condensing
----------	--------------------------

Luminaire Run Lengths

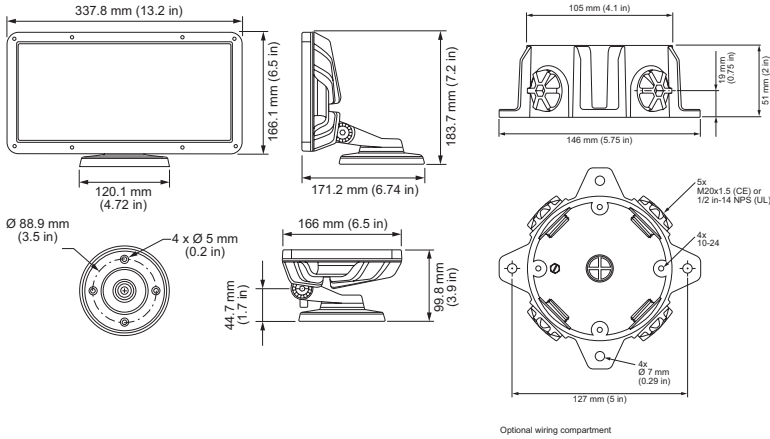
To calculate luminaire run lengths and total power consumption for your specific installation, download the Configuration Calculator from www.colorkinetics.com/support/install_tool/

Certification and Safety

Approbation	UL/cUL, FCC Class A, CE, PSE, CQC, RCM, EAC, UA
Environment	Dry/Damp/Wet Location, IP66



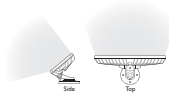
Dimensions



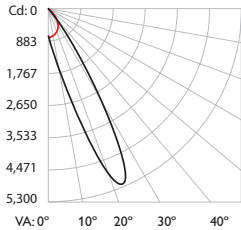
Photometrics optiField

Photometric data is based on test results from an independent NIST traceable testing lab. IES data is available at www.colorkinetics.com/global/support/ies.

Beam	Wall washing
LED	RGBW
Lumens	1,524.00
Target area uniformity	4:01
Efficacy (lm/W)	31.8

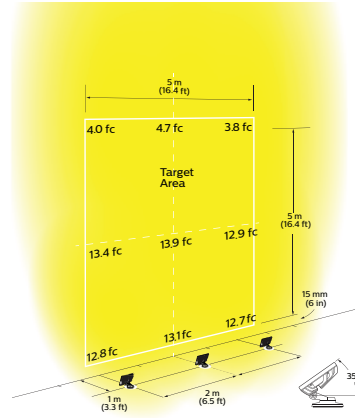


Polar Candela Distribution



90°	0	0	25	45	70	90
80°	0	784	784	784	784	784
70°	5	1151	1092	1005	877	783
60°	15	3152	2548	1704	1016	724
50°	25	4886	3943	2083	852	559
	35	756	1006	905	413	331
	45	89	98	127	119	158
	55	53	50	49	48	67
	65	24	24	25	25	28
	75	4	4	5	6	8
	85	0	0	0	0	0
	90	0	0	0	0	0

■ - 0° H ■ - 90° H



Zonal Lumen

Zone	Lumens	% Luminaire
0-30	1024.1	67.2%
0-40	1330.4	87.3%
0-60	1486.1	97.5%
60-90	38.6	2.5%
70-100	8.7	0.6%
90-120	0.0	0.0%
0-90	1524.8	100.0%
90-180	0.0	0.0%
0-180	1524.8	100.0%

For lux multiply fc by 10.7

ColorBlast Powercore gen4, OptiField Notes. Although this luminaire is designed to meet a large number of installation needs, specifically wall heights, we recommend using a measurement area like the example with a measurement grid of 5 m (16.4 ft) or smaller. This approach will help you consistently create simulations that match mock-ups. In order to achieve the highest delivered illuminance and maximum level of uniformity, we recommend aiming the luminaire at a 35° rotation.

Luminaire and Accessories

Use Item Number when ordering in North America

Luminaire	Item Number	Item 12NC
ColorBlast Powercore gen4, OptiField, RGBW, Gray Housing	423-000018-02	912400136064
Accessories		
Rock Guard, Gray	120-000185-18	912400133533
Half Glare Shield, Gray	120-000185-19	912400133534
Full Glare Shield, Gray	120-000185-16	912400133531
Wiring Compartment UL/cUL, Gray	106-000011-32	910503704149
Wiring Compartment CE, Gray	106-000011-42	910503703277
Power Supplies		
Data Enabler Pro, 3/4 in / 1/2 in NPT (US trade size conduit)	106-000004-00	910503701210
Data Enabler Pro, PG21/PG13 (metric size conduit)	106-000004-01	910503701211



© 2021 Signify Holding. All rights reserved. Specifications are subject to change without notice. No representation or warranty as to the accuracy or completeness of the information included herein is given and any liability for any action in reliance thereon is disclaimed.

Color Kinetics
www.colorkinetics.com/global/products/rgb/colorblast-powercore-gen4-rgbw-fta