

ArchiPoint Powercore, RGB

Date: _____

Type: _____

Firm Name: _____

Project: _____

Translucent Dome Lens with Conduit Mounting Base, 3/4 in NPT (U.S. trade size conduit)

Exterior daylight-visible point with intelligent RGB light

ArchiPoint Powercore, RGB is a daylight-visible, exterior-rated LED point of light ideally suited for a range of direct-view applications. These versatile low-profile luminaires display large-scale video and graphics in a host of settings, including architectural, retail, and entertainment installations. ArchiPoint Powercore, RGB offers high-intensity output with the efficiency and cost-effectiveness of Powercore technology in a rugged, aluminium housing.



- Daylight visible—Outputs up to 25,150 nits of intelligent color light in a weatherproof, low-profile housing, perfect for large-scale video, dynamic effects, and other direct-view applications. Easily visible in brightly lit urban environments and daylight—even in direct sunlight.
- Direct view or illumination—Supports large-scale video for architectural, media façade, and advertising applications for viewing day or night. Indirect illumination delivers high levels of intensity for beacon, paths and marker lighting.
- Multiple mounting base options—Conduit Mounting Base offers side and back openings for flexible connections in surface-mounted installations. Concealed Conduit Mounting Base hides all conduit and wiring behind the mounting surface for a clean look.
- Superior color consistency and accuracy—Optibin, an advanced binning algorithm, sets a new standard for the color consistency and uniformity of LED sources used in manufacturing.
- Flexible installation options—Low-profile luminaires allow for installation in spaces too tight for conventional spotlights. Multiple mounting base options offer flexibility in a wide range of installation types and situations.
- Integrates Powercore technology—Powercore delivers line voltage and data to luminaires over a single cable, dramatically simplifying installation and lowering total system cost. Color Kinetics Data Enabler Pro merges line voltage and control data and delivers them to the luminaire over a single cable, dramatically simplifying installation and lowering total system cost.
- Universal power input range—Accepts a universal power input range of 100 to 240 VAC for consistent installation anywhere in the world. Each Data Enabler Pro can support multiple luminaires for creating long runs of intricately changing color.
- Industry-leading controls—Works seamlessly with the complete Color Kinetics line of controllers, including Light System Manager and iPlayer 3, as well as third-party controllers.
- Outdoor rated—Fully sealed for maximum luminaire life and IP66-rated for outdoor applications.

For detailed product information, please refer to the ArchiPoint Product Guide at www.colorkinetics.com/global/products/rgb/archipoint/

Specifications

Due to continuous improvements and innovations, specifications may change without notice.

Output

| | |
|-------------------|--------------------------|
| Viewing | 150° |
| Lumens † | 501 |
| Luminance in Nits | 10,877 cd/m ² |
| Efficacy | 17.6 |
| LED Channels | Red/Green/Blue |

Electrical

| | |
|---|--|
| Input Voltage | 100 to 240 VAC, auto-ranging, 50/60 Hz |
| Power Consumption (Maximum at full output, steady state) | 25 W |
| Power Factor | 0.93 @ 120 VAC |
| Surge Limits ¶ | 1 kV maximum differential (L to N) 2 kV maximum common (L to Gnd or N to Gnd) |

For additional Surge Protection Requirements for LED Lighting Systems, please refer to www.colorkinetics.com/KB/surge-protection.

| | |
|-----------------------|------------|
| Maximum Wiring Volume | 22.0 cu in |
|-----------------------|------------|

Control

| | |
|-----------|------------------------------------|
| Interface | Data Enabler Pro (DMX or Ethernet) |
|-----------|------------------------------------|

Control System

Color Kinetics full range of controllers, including Light System Manager, iPlayer 3, Antumbra iColor Keypad, and ColorDial Pro, or third-party controllers

Remote Monitoring & Management Works with Interact Landmark

Lumen Maintenance

| Threshold§ | Ambient Temperature | |
|------------|---------------------|---------------|
| | Reported ¶¶ | Calculated ¶¶ |
| L 70 | 25 °C | 70,000 |
| | 50 °C | 40,000 |
| L 50 | 25 °C | 100,000 |
| | 50 °C | 70,000 |

† Lumen output measurements comply with IES LM-79-08 testing procedures.

§ Lxx = xx% lumen maintenance (when light output drops below xx% of initial output). All values are given at B10, or the median value where 90% of the LED population is better than the reported or calculated lumen maintenance measurement.

¶ Minimum surge limits per IEC 61547, tested in accordance with IEC 61000-4-5.

¶¶ Lumen maintenance figures are based on lifetime prediction graphs supplied by LED source manufacturers. Whenever possible, figures use measurements that comply with IES LM-80-08 testing procedures. In accordance with TM-21-11, Reported values represent the interpolated value based on six times the LM-80-08 total test duration (in hours). Calculated values represent time durations that exceed six times the total test duration.

Physical

| | |
|--|---|
| Dimensions (Height x Width x Depth) | 144 x 164 x 164 mm (5.7 x 6.4 x 6.4 in) |
| Weight | 1.5 kg (3.3 lb) Dome Lens Luminaire 0.78 kg (1.7 lb) Conduit Mounting Base 0.98 kg (2.2 lb) Concealed Conduit Mounting Base |
| Housing Material | Die-cast aluminium, silver gray powder-coated finish |
| Lens | Translucent UV-protected polycarbonate |
| Luminaire Connections | 178 mm (7 in) flying leads |

Temperature Ranges

-40 to 50 °C (-40 to 122 °F) Operating

-20 to 50 °C (-4 to 122 °F) Startup

-40 to 80 °C (-40 to 176 °F) Storage

Vibration Resistance

Complies with ANSI C136.31, 3G

| | |
|-------------------|------|
| Mechanical Impact | IK10 |
|-------------------|------|

Corrosion Resistance

Complies with ASTM G85

| | |
|----------|--------------------------|
| Humidity | 0 to 95%, non-condensing |
|----------|--------------------------|

Thermal Protection enabled

For additional Thermal Protection information, please refer to

<https://colorkinetics.helpdocs.io/article/sh301ducix>

Luminaire Run Lengths

To calculate luminaire run lengths and total power consumption for your specific installation, download the Configuration Calculator from

www.colorkinetics.com/support/install_tool/

Certification and Safety

| | |
|-------------|-------------------------|
| Approbation | UL/cUL, FCC Class A, CE |
|-------------|-------------------------|

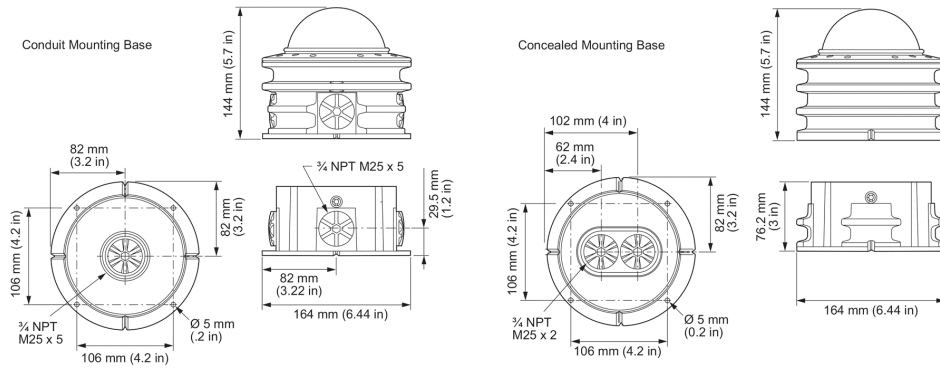
| | |
|-------------|-----------------------------|
| Environment | Dry/Damp/Wet Location, IP66 |
|-------------|-----------------------------|

For additional Energy Efficiency Class Information, please refer to

<https://colorkinetics.helpdocs.io/article/cviis2p8qq>.



Dimensions

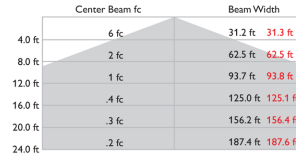


Photometrics Translucent Dome Lens

Photometric data is based on test results from an independent NIST traceable testing lab. IES data is available at www.colorkinetics.com/global/support/ies.

| | |
|----------|-------|
| Viewing | 150° |
| LED | RGB |
| Lumens | 501.0 |
| Efficacy | 17.6 |

Illuminance at Distance



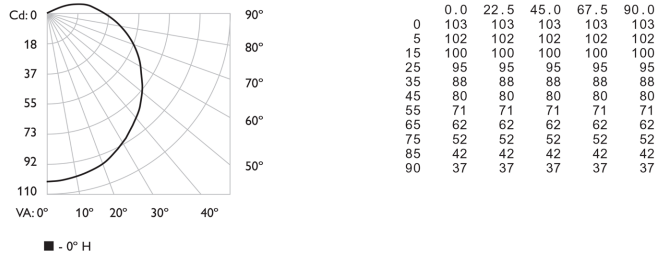
Zonal Lumen

| ZONE | LUMENS | %FIXT |
|--------|--------|-------|
| 0- 30 | 82 | 16.3 |
| 0- 40 | 137 | 27.3 |
| 0- 60 | 263 | 52.4 |
| 0- 90 | 425 | 84.7 |
| 90-120 | 73 | 14.5 |
| 90-130 | 76 | 15.3 |
| 90-150 | 77 | 15.3 |
| 90-180 | 77 | 15.3 |
| 0-180 | 501 | 100.0 |

Vert. Spread: 151.3°
Horiz. Spread: 151.3°

For lux multiply fc by 10.7

Polar Candela Distribution



Coefficients of Utilization – Zonal Cavity Method

| RC | Effective Floor Cavity Reflectance: 20% | | | | | | | | | | | | | | | | |
|----|---|-----|-----|-----|-----|-----|-----|-----|-----|-----|-----|----|----|----|----|----|----|
| | 80 | | | 70 | | | 50 | | | 30 | | | 10 | | | | |
| RW | 70 | 50 | 30 | 10 | 70 | 50 | 30 | 10 | 50 | 30 | 10 | 50 | 30 | 10 | 50 | 30 | 10 |
| 0 | 115 | 115 | 115 | 115 | 111 | 111 | 111 | 111 | 103 | 103 | 103 | 95 | 95 | 95 | 88 | 88 | 88 |
| 1 | 101 | 95 | 89 | 84 | 97 | 91 | 86 | 81 | 84 | 80 | 76 | 77 | 74 | 71 | 71 | 68 | 66 |
| 2 | 91 | 81 | 72 | 65 | 86 | 77 | 70 | 63 | 71 | 65 | 60 | 66 | 60 | 56 | 60 | 56 | 52 |
| 3 | 82 | 70 | 60 | 53 | 78 | 67 | 58 | 51 | 62 | 54 | 48 | 57 | 51 | 46 | 52 | 47 | 43 |
| 4 | 74 | 61 | 51 | 44 | 71 | 59 | 50 | 43 | 54 | 46 | 40 | 50 | 43 | 38 | 46 | 40 | 36 |
| 5 | 68 | 54 | 44 | 37 | 65 | 52 | 43 | 36 | 48 | 40 | 34 | 44 | 38 | 32 | 41 | 35 | 31 |
| 6 | 63 | 48 | 39 | 32 | 60 | 47 | 38 | 31 | 43 | 35 | 30 | 40 | 33 | 28 | 37 | 31 | 27 |
| 7 | 58 | 44 | 34 | 28 | 55 | 42 | 33 | 27 | 39 | 31 | 26 | 36 | 30 | 25 | 34 | 28 | 23 |
| 8 | 54 | 40 | 31 | 24 | 51 | 38 | 30 | 24 | 36 | 28 | 23 | 33 | 27 | 22 | 31 | 25 | 21 |
| 9 | 50 | 36 | 28 | 22 | 48 | 35 | 27 | 21 | 33 | 25 | 20 | 30 | 24 | 20 | 28 | 23 | 19 |
| 10 | 47 | 33 | 25 | 20 | 45 | 32 | 24 | 19 | 30 | 23 | 18 | 28 | 22 | 18 | 26 | 21 | 17 |

Luminaire and Accessories

Use Item Number when ordering in North America

| Luminaire | Item Number | Item 12NC |
|--|--------------------|------------------|
| ArchiPoint Powercore, RGB, Translucent Dome Lens Associated Mounting Base must be purchased separately. | 123-000022-00 | 910503702579 |
| Associated Parts | | |
| Conduit Mounting Base, 3/4 in NPT (U.S. trade size conduit) | 123-000152-00 | 910503702574 |
| Accessory | | |
| Glare Shield | 120-000153-00 | 910503702674 |
| Power Supplies | | |
| Data Enabler Pro, 3/4 in / 1/2 in NPT (U.S. trade size conduit) | 106-000004-00 | 910503701210 |
| Data Enabler Pro, PG21/PG13 (metric size conduit) | 106-000004-01 | 910503701211 |

