

# ArchiPoint Powercore, RGB

Date: \_\_\_\_\_

Type: \_\_\_\_\_

Firm Name: \_\_\_\_\_

Project: \_\_\_\_\_

**Clear Flat Lens with Conduit Mounting Base, 3/4 in NPT (U.S. trade size conduit)**

## Exterior daylight-visible point with intelligent RGB light

ArchiPoint Powercore, RGB is a daylight-visible, exterior-rated LED point of light ideally suited for a range of direct-view applications. These versatile low-profile luminaires display large-scale video and graphics in a host of settings, including architectural, retail, and entertainment installations. ArchiPoint Powercore, RGB offers high-intensity output with the efficiency and cost-effectiveness of Powercore technology in a rugged, aluminium housing.



- Daylight visible—Outputs up to 25,150 nits of intelligent color light in a weatherproof, low-profile housing, perfect for large-scale video, dynamic effects, and other direct-view applications. Easily visible in brightly lit urban environments and daylight—even in direct sunlight.
- Direct view or illumination—Supports large-scale video for architectural, media façade, and advertising applications for viewing day or night. Indirect illumination delivers high levels of intensity for beacon, paths and marker lighting.
- Multiple mounting base options—Conduit Mounting Base offers side and back openings for flexible connections in surface-mounted installations. Concealed Conduit Mounting Base hides all conduit and wiring behind the mounting surface for a clean look.
- Superior color consistency and accuracy—Optibin, an advanced binning algorithm, sets a new standard for the color consistency and uniformity of LED sources used in manufacturing.
- Flexible installation options—Low-profile luminaires allow for installation in spaces too tight for conventional spotlights. Multiple mounting base options offer flexibility in a wide range of installation types and situations.
- Integrates Powercore technology—Powercore delivers line voltage and data to luminaires over a single cable, dramatically simplifying installation and lowering total system cost. Color Kinetics Data Enabler Pro merges line voltage and control data and delivers them to the luminaire over a single cable, dramatically simplifying installation and lowering total system cost.
- Universal power input range—Accepts a universal power input range of 100 to 240 VAC for consistent installation anywhere in the world. Each Data Enabler Pro can support multiple luminaires for creating long runs of intricately changing color.
- Works seamlessly with the complete Color Kinetics line of controllers, including iPlayer 3, iPlayer 4, Antumbra iColor Keypad, and ColorDial Pro, or third-party controllers.
- Outdoor rated—Fully sealed for maximum luminaire life and IP66-rated for outdoor applications.

For detailed product information, please refer to the ArchiPoint Product Guide at [www.colorkinetics.com/global/products/rgb/archipoint/](http://www.colorkinetics.com/global/products/rgb/archipoint/)

# Specifications

Due to continuous improvements and innovations, specifications may change without notice.

## Output

Viewing	125°
Lumens †	774
Luminance in Nits	25,150 cd/m <sup>2</sup>
Efficacy	27.4
LED Channels	Red/Green/Blue

## Electrical

Input Voltage	100 to 240 VAC, auto-ranging, 50/60 Hz
Power Consumption	25 W

(Maximum at full output, steady state)

Power Factor	0.93 @ 120 VAC
Surge Limits ¶	1 kV maximum differential (L to N) 2 kV maximum common (L to Gnd or N to Gnd)

For additional Surge Protection Requirements for LED Lighting Systems, please refer to [www.colorkinetics.com/KB/surge-protection](http://www.colorkinetics.com/KB/surge-protection).

Maximum Wiring Volume	22.0 cu in
-----------------------	------------

## Control

Interface	Data Enabler Pro (DMX or Ethernet)
Control Channels	3 channels per luminaire

For additional Control Channel information, please refer to <https://colorkinetics.helpdocs.io/article/fv5rpkvclq>.

## Control System

Color Kinetics line of controllers, including iPlayer 3, iPlayer 4, Antumbra iColor Keypad, and ColorDial Pro, or third-party controllers.

Remote Monitoring & Management Works with Interact Landmark

## Lumen Maintenance

Threshold§	Ambient Temperature	Reported ¶¶	Calculated ¶¶
L 70	25 °C	70,000	
	50 °C	40,000	
L 50	25 °C	100,000	
	50 °C	70,000	

† Lumen output measurements comply with IES LM-79-08 testing procedures.

§ Lxx = xx% lumen maintenance (when light output drops below xx% of initial output). All values are given at B10, or the median value where 90% of the LED population is better than the reported or calculated lumen maintenance measurement.

¶ Minimum surge limits per IEC 61547, tested in accordance with IEC 61000-4-5.

¶¶ Lumen maintenance figures are based on lifetime prediction graphs supplied by LED source manufacturers. Whenever possible, figures use measurements that comply with IES LM-80-08 testing procedures. In accordance with TM-21-11, Reported values represent the interpolated value based on six times the LM-80-08 total test duration (in hours). Calculated values represent time durations that exceed six times the total test duration.

## Physical

Dimensions (Height x Width x Depth)	99 x 164 x 164 mm (3.9 x 6.4 x 6.4 in)
--	--

Weight	1.5 kg (3.3 lb) Flat Lens Luminaire 0.78 kg (1.7 lb) Conduit Mounting Base 0.98 kg (2.2 lb) Concealed Conduit Mounting Base
--------	---

Housing Material	Die-cast aluminium, silver gray powder-coated finish
Lens	Clear UV-protected polycarbonate

Luminaire Connections	178 mm (7 in) flying leads
-----------------------	----------------------------

## Temperature Ranges

-40 to 50 °C (-40 to 122 °F) Operating
-20 to 50 °C (-4 to 122 °F) Startup
-40 to 80 °C (-40 to 176 °F) Storage

## Vibration Resistance

Complies with ANSI C136.31, 3G

Mechanical Impact	IK10
-------------------	------

## Corrosion Resistance

Complies with ASTM G85

Humidity	0 to 95%, non-condensing
----------	--------------------------

## Thermal Protection enabled

For additional Thermal Protection information, please refer to <https://colorkinetics.helpdocs.io/article/sh301ducix>

## Luminaire Run Lengths

To calculate luminaire run lengths and total power consumption for your specific installation, download the Configuration Calculator from [www.colorkinetics.com/support/install\\_tool/](http://www.colorkinetics.com/support/install_tool/)

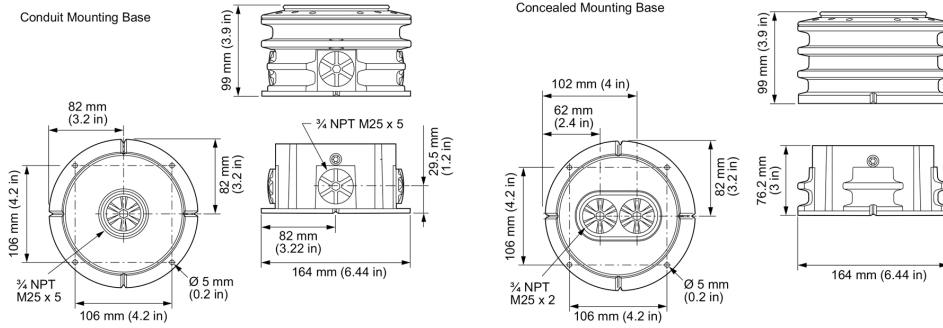
## Certification and Safety

Approbation	UL/cUL, FCC Class A, CE
Environment	Dry/Damp/Wet Location, IP66

For additional Energy Efficiency Class Information, please refer to <https://colorkinetics.helpdocs.io/article/cviis2p8qq>.



# Dimensions

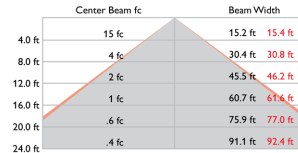


# Photometrics Clear Flat Lens

Photometric data is based on test results from an independent NIST traceable testing lab. IES data is available at [www.colorkinetics.com/global/support/ies](http://www.colorkinetics.com/global/support/ies).

Viewing	125°
LED	RGB
Lumens	774.0
Efficacy	27.4

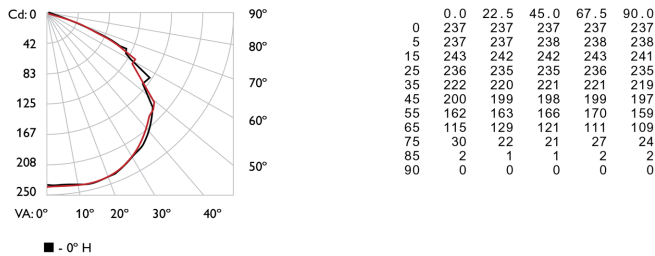
## Illuminance at Distance



## Zonal Lumen

ZONE	LUMENS	%FIXT
0- 30	200	25.8
0- 40	338	43.6
0- 60	635	82.1
0- 90	774	100.0
90-180	0	0.0
0-180	774	100.0

## Polar Candela Distribution



4.7 m (15.4 ft)  
 1 fc maximum distance  
 ■ Vert. Spread: 124.4°  
 ■ Horiz. Spread: 125.1°

For lux multiply fc by 10.7

## Coefficients of Utilization – Zonal Cavity Method

RC	80				70				50				Effective Floor Cavity Reflectance: 20%			
	70	50	30	10	70	50	30	10	50	30	10	50	30	10	0	
0	1191	191	119	119	1161	161	161	116	1111	111	111	1061	061	06	102	
1	1101	051	01	98	1071	03	99	96	99	96	93	95	92	90	91	
2	100	92	85	80	97	90	84	79	86	81	77	83	79	75	80	
3	91	80	72	66	88	79	71	65	76	70	64	73	68	63	71	
4	83	71	62	56	81	70	62	55	67	60	54	65	59	54	63	
5	76	63	54	47	74	62	54	47	60	52	47	58	51	46	56	
6	70	57	48	41	68	56	47	41	54	46	41	52	45	40	51	
7	65	51	42	36	63	50	42	36	49	41	36	47	40	35	46	
8	60	46	38	32	58	46	38	32	44	37	32	43	36	31	42	
9	56	42	34	29	55	42	34	28	41	33	28	40	33	28	39	
10	52	39	31	26	51	39	31	26	38	30	26	37	30	25	36	

# Luminaire and Accessories

Use Item Number when ordering in North America

<b>Luminaire</b>	<b>Item Number</b>	<b>Item 12NC</b>
ArchiPoint Powercore, RGB, Clear Flat Lens Associated Mounting Base must be purchased separately.	123-000022-01	910503702580
<b>Associated Parts</b>		
Conduit Mounting Base, 3/4 in NPT (U.S. trade size conduit)	123-000152-00	910503702574
<b>Accessory</b>		
Glare Shield	120-000153-00	910503702674
<b>Power Supplies</b>		
Data Enabler Pro, 3/4 in / 1/2 in NPT (U.S. trade size conduit)	106-000004-00	910503701210
Data Enabler Pro, PG21/PG13 (metric size conduit)	106-000004-01	910503701211

