

Accent Compact

Date: _____

Type: _____

Firm Name: _____

Project: _____

RGBW, 467 mm (18.4 in), Clear Lens

High-resolution exterior linear direct view luminaire with intelligent RGBW light

Accent Compact, RGBW is a direct view linear LED luminaire ideally suited for displaying large-scale video and graphics in a host of architectural settings. Accent Compact, RGBW adds a separate white LED, creating better-quality whites compared to RGB. Accent Compact, RGBW accepts Ethernet input from the PDS-400 48V EO to support long control runs not subject to DMX data and addressing limitations. Two lens choices are available for Accent Compact, RGBW: a clear lens which delivers the brightest output and a translucent lens which provides the widest viewing angle.



- Precise resolution control—Luminaires can be addressed and controlled in increments down to 19 mm (0.75 in), or up to 1220 mm (4 ft).
- Native, onboard Ethernet—Luminaires accept Ethernet input from PDS-400 48V EO to support long control runs not subject to DMX data and addressing limitations.
- Four luminaire lengths—315 mm (12.4 in), 467 mm (18.4 in), 619.5 mm (24.4), and 1228.5 mm (48.4 in) lengths are easily connected to create long, continuous columns or rows of intense, dynamic color. The 315 mm (12.4 in) luminaires in particular allow for extra flexibility when space is at a premium.
- Rugged, durable construction—This IP66-rated luminaire is designed to meet the taxing requirements of outdoor applications. The aluminium housing resists shock, vibration, and other forms of rough handling.
- Flexible positioning—Over-molded end-to-end locking connectors supply both power and data. Connectors can make 180° turns for easy layout. Jumper cables can add extra space between luminaires.
- Industry-leading controls—Works seamlessly with the complete Color Kinetics line of controllers, including Light System Manager and iPlayer 3, and any third-party controllers.
- Universal power input range—Accepts a universal power input range of 100 to 277 VAC for consistent installation anywhere in the world. Each 400 W, outdoor-rated PDS-400 48V EO can support multiple luminaires for creating long lines of video or ribbons of intricately changing color.
- ActiveSite integration—ActiveSite is the first ever cloud-hosted connected lighting system for architectural LED lighting installations. ActiveSite allows you to remotely monitor, manage, and maintain an installation site from anywhere in the world, using a secure web connection.

For detailed product information, please refer to the Accent Product Guide at www.colorkinetics.com/global/products/rgb/icolor-accent-compact-rgbw/

Specifications

Due to continuous improvements and innovations, specifications may change without notice.

Output

Viewing Angle	105°
Lumens †	430
On-Axis Candela	152
On-Axis Candela per node	6
Efficacy (lm/W) §§	33.1
LED Channels	Red/Green/Blue/4000 K

Electrical

Input Voltage	48 VDC via PDS-400 48V EO or CM-400 48V EO
Power Consumption (Maximum at full output, steady state)	13 W

For additional Surge Protection Requirements for LED Lighting Systems, please refer to www.colorkinetics.com/KB/surge-protection.

Control

Interface	PDS-400 48V EO (Ethernet) CM-400 48V EO (Ethernet)
Control Channels	4 channels per 19 mm (0.75 in) section

For additional Control Channel information, please refer to <https://colorkinetics.helpdocs.io/article/fv5rpkvclq>.

Control System

Color Kinetics full range of controllers, including Light System Manager, iPlayer 3, Antumbra iColor Keypad, and ColorDial Pro, or third-party controllers
Remote Monitoring & Management Works with Interact Landmark

Lumen Maintenance

Threshold§	Ambient Temperature	Reported ¶¶	Calculated ¶¶
L ₈₀	25 °C	> 66,000	> 97,000
	50 °C		
L ₇₀	25 °C	> 66,000	> 100,000
	50 °C	> 66,000	> 100,000
L ₅₀	25 °C	> 66,000	> 100,000
	50 °C	> 66,000	> 100,000

† 315 mm (12.4 in) lumen output measurements comply with IES LM-79-08 testing procedures. 610 mm (2 ft), and 1220 mm (4 ft) measurements are estimated based on the 305 mm (1 ft) measurements.

§ L_{xx} = xx% lumen maintenance (when light output drops below xx% of initial output). All values are given at B10, or the median value where 90% of the LED population is better than the reported or calculated lumen maintenance measurement.

¶ Minimum surge limits per IEC 61547, tested in accordance with IEC 61000-4-5.

§§ Efficacy measurements are estimated based on the 305 mm (1 ft) measurements.

¶¶ Lumen maintenance figures are based on lifetime prediction graphs supplied by LED source manufacturers. Whenever possible, figures use measurements that comply with IES LM-80-08 testing procedures. In accordance with TM-21-11, Reported values represent the interpolated value based on six times the LM-80-08 total test duration (in hours). Calculated values represent time durations that exceed six times the total test duration.

Physical

Dimensions (Height x Width x Depth)	68.6 x 467 x 36.4 mm (2.7 x 18.4 x 1.4 in)
Weight	0.75 kg (1.65 lb)
Housing Material	Extruded aluminium and polycarbonate
Lens	Clear UV-protected polycarbonate
Luminaire Connections	Over-molded, integral male/female connectors

Temperature Ranges

-40 to 50 °C (-40 to 122 °F) Operating
-20 to 50 °C (-4 to 122 °F) Startup
-40 to 80 °C (-40 to 176 °F) Storage

Vibration Resistance

Complies with ANSI C136.31, 3G
Mechanical Impact IK10

Corrosion Resistance

Complies with ASTM B117 standard for > 1,500 hours
Humidity 0 to 95%, non-condensing

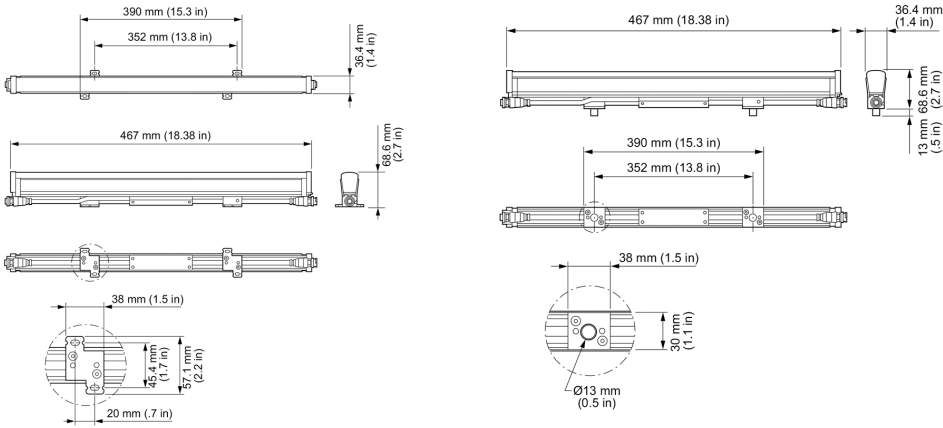
Maximum Luminaires Per Power/Data Supply

24 maximum per PDS-400 48V EO using a 15 m (50 ft) leader cable

Certification and Safety

Approbation UL/cUL, FCC Class A, CE, CQC, RCM
Environment Dry/Damp/Wet Location, IP66
For additional Energy Efficiency Class Information, please refer to <https://colorkinetics.helpdocs.io/article/cviis2p8qq>.

Dimensions

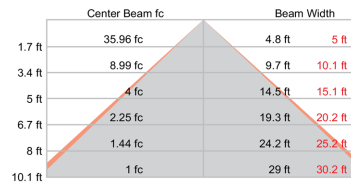


Photometrics clear lens, 315 mm (12.4 in)

Photometric data is based on test results from an independent NIST traceable testing lab. IES data is available at www.colorkinetics.com/global/support/ies.

Viewing Angle	105°
LED	All channels full on
Lumens	287.0
Efficacy (lm/W)	28.7

Illuminance at Distance



Zonal Lumen

Zone	Lumens	% Luminaire
0-30	79.4	27.70%
0-40	131.3	45.80%
0-60	231.5	80.80%
60-90	53	18.50%
70-100	18.3	6.40%
90-120	1.5	0.50%
0-90	284.5	99.30%
90-180	2.1	0.70%
0-180	286.7	100%

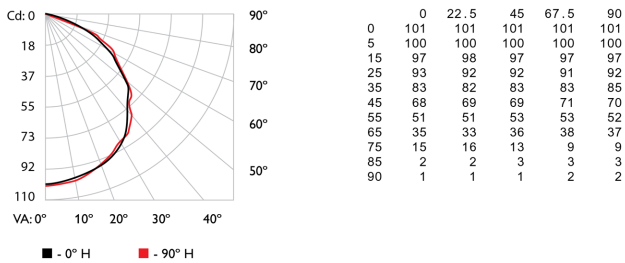
10.1 ft (3.1 m)
1 fc maximum distance
Vert. Spread: 110.6°
Horiz. Spread: 112.8°

For lux multiply fc by 10.7

Coefficients of Utilization - Zonal Cavity Method

RCC %:	Effective Floor Cavity Reflectance: 20%																							
	80				70				50				30				10				0			
RW %:	70	50	30	0	70	50	30	0	50	30	20	0	50	30	20	0	50	30	20	0	50	30	20	0
0	1.19	1.19	1.19	1.19	1.16	1.16	1.16	0.99	1.11	1.11	1.11	1.06	1.06	1.06	1.06	1.01	1.01	1.01	1.01	0.99	0.99	0.99	0.99	0.84
1	1.09	1.05	1.01	0.97	1.06	1.02	0.99	0.85	0.98	0.95	0.92	0.94	0.91	0.89	0.89	0.9	0.88	0.86	0.86	0.84	0.84	0.84	0.84	0.71
2	0.99	0.92	0.85	0.79	0.97	0.9	0.84	0.72	0.86	0.81	0.76	0.83	0.78	0.75	0.75	0.79	0.76	0.73	0.73	0.71	0.71	0.71	0.71	0.58
3	0.91	0.8	0.72	0.66	0.86	0.79	0.71	0.61	0.76	0.69	0.64	0.73	0.68	0.63	0.63	0.7	0.65	0.62	0.62	0.6	0.6	0.6	0.6	0.48
4	0.83	0.71	0.63	0.56	0.81	0.7	0.62	0.53	0.67	0.6	0.55	0.65	0.59	0.54	0.54	0.63	0.57	0.53	0.53	0.51	0.51	0.51	0.51	0.39
5	0.76	0.64	0.55	0.48	0.74	0.63	0.54	0.46	0.6	0.53	0.47	0.58	0.52	0.47	0.47	0.56	0.51	0.46	0.46	0.44	0.44	0.44	0.44	0.33
6	0.71	0.57	0.48	0.42	0.69	0.56	0.48	0.4	0.54	0.47	0.41	0.53	0.46	0.41	0.41	0.51	0.45	0.41	0.41	0.39	0.39	0.39	0.39	0.29
7	0.65	0.52	0.43	0.37	0.64	0.51	0.43	0.36	0.49	0.42	0.37	0.48	0.41	0.36	0.36	0.47	0.41	0.36	0.36	0.34	0.34	0.34	0.34	0.25
8	0.61	0.47	0.39	0.33	0.59	0.47	0.39	0.32	0.45	0.38	0.33	0.44	0.37	0.32	0.32	0.43	0.37	0.32	0.32	0.3	0.3	0.3	0.3	0.22
9	0.57	0.43	0.35	0.3	0.55	0.43	0.35	0.29	0.42	0.34	0.29	0.4	0.34	0.29	0.29	0.39	0.33	0.29	0.29	0.27	0.27	0.27	0.27	0.2
10	0.53	0.4	0.32	0.27	0.52	0.39	0.32	0.26	0.38	0.31	0.27	0.37	0.31	0.27	0.27	0.37	0.31	0.26	0.26	0.25	0.25	0.25	0.25	0.18

Polar Candela Distribution



Luminaire and Accessories

Use Item Number when ordering in North America

Luminaire	Item Number	Item 12NC
Accent Compact, RGBW, 467 mm (18.4 in), Clear Lens	101-000200-11	912400136260

Accessories		
Leader Cable, 15 m (50 ft)	108-000200-00	912400133789
Leader Cable, 30 m (100 ft)	108-000200-01	912400133790
Jumper Cable, 305 mm (1 ft)	108-000200-03	912400134184
Jumper Cable, 1.5 m (5 ft)	108-000200-02	912400133791

Power Supplies		
PDS-400 48V, EO Power/Data Supply, Ethernet, UL	109-000200-00	912400133799
PDS-400 48V, EO Power/Data Supply, Ethernet, CE	109-000200-01	912400134110
CM-400 48V EO, Control Module, Ethernet	109-000210-01	912400133802
PS-600 48V, Power Supply, IP66	109-000220-00	912400133803
PS-480 48V, Power Supply, IP20, DIN rail	109-000220-01	912400133804



© 2024 Signify Holding. All rights reserved. Specifications are subject to change without notice. No representation or warranty as to the accuracy or completeness of the information included herein is given and any liability for any action in reliance thereon is disclaimed.

Color Kinetics
www.colorkinetics.com/global/products/rgb/icolor-accent-compact-rgbw/